

DRAWING NO.
SD079848

7

6

5

4

3

2

1

REV	DATE	DESCRIPTION	ECO	BY	C'H'K.
F	05/19/2014 00:00:00 AM	NOTE ADDED AS PER ECO W490P	36169	AD	BSB

CATALOG NUMBER	STRANDED COPPER CONDUCTOR ACCOMMODATED			BOLT SIZE	METRIC BOLT SIZE	DIMENSIONS								
	CODE (AWG)	NAVY	METRIC SIZE (CLASS 2)			B	C	D MIN.	K DIA.	L	N	O.D.	T REF.	Z MIN.
YA6CL	#6 AWG	-----	-----	1/4	M6	.54 [14]	.45 [11]	----	.27 [7]	1.45 [37]	.31 [8]	.29 [7]	.08 [2]	.33 [8]
YA6CL1				8-10	----		.41 [10]	----	.20 [5]	1.27 [32]	.22 [6]		.09 [2]	.23 [6]
YA6CL1G1				8-10	-----		.36 [9]	----	.21 [5]	1.28 [33]	.22 [6]		.10 [3]	.26 [7]
YA6CL3				5/16	----		.52 [13]	----	.33 [8]	1.52 [39]	.34 [9]		.07 [2]	.36 [9]

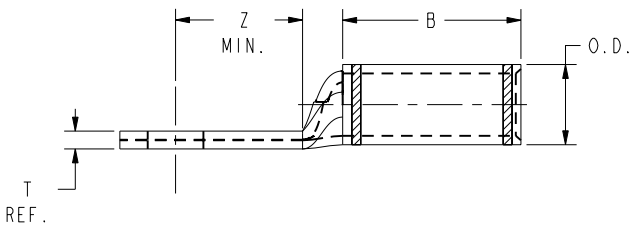
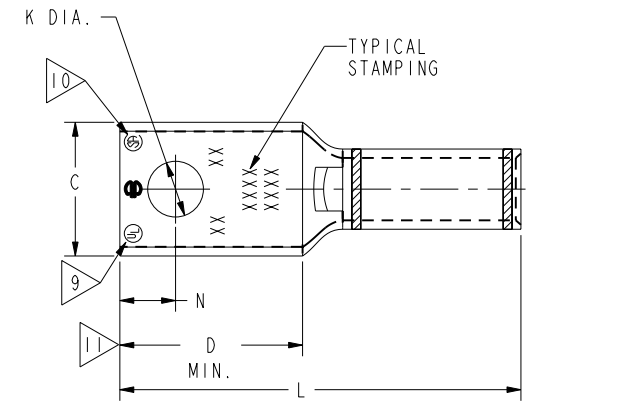
CONNECTOR SIZE	TOLERANCES					
	B	C	K DIA.	L	N	O.D.
-8C THRU -25	±.06	±.04	±.02	±.09	±.03	±.01
-26 THRU -34	±.08	±.04	±.02	±.12	±.03	±.01
-35 AND UP	±.09	±.06	±.02	±.15	±.06	±.01

TOLERANCE BLOCK

INSTALLATION TOOLING (# CRIMPS)																
CATALOG NO.	COLOR CODE	DIE INFORMATION		MECHANICAL RATCHET				HYDRAULIC						DIELESS (# OF CRIMPS)	WIRE STRIP LENGTH	
		DIE INDEX	TYPE	YIMRTC	OUR840	MD6 MD7	MD6--R2 MD7-34R	Y500CT PATMD6 PAT600	Y34A Y34B Y34BH	Y35, Y39 Y750, BAT35 PAT750	Y46 PAT46	Y45	Y48B			Y60BHU
YA6CL YA6CL1 YA6CL1G1 YA6CL3	BLUE	7 374	BLUE DIE SET	BLUE (1)	X5CRT(1) X8CART(1)	X5CRT(1) W5CRT(1) W5CVT(1)	X5CRT(1) W5CRT(1) W5CVT(1)	X5CRT(1) W5CRT(1) W5CVT(1)	----	U5CRT(1) U8CABT(1)	U5CRT(1) U8CABT(1)	U5CRT(1) U8CABT(1)	----	----	MECHANICAL: MY29-3 (1) MY29-11 (1) MRC840 (1) HYDRAULIC: Y644 (1) Y81KFT (1) Y4PC834 (1)	9/16"
			NEST						A6CD(1) B6CD(1)	U6CD-1(1)	U6CD-1(1)	U6CD-1(1)				
			INDENTOR						Y34PR	Y34PR	Y34PR	Y34PR				

NOTES:

- MATERIAL: COPPER TUBING.
- FINISH: TIN PLATED.
"FOR ALTERNATIVE FINISH ADD ONE OF THE FOLLOWING SUFFIXES:
NICKEL = NK, LEAD = LD, BARE = BR"
- CATALOG # PT6515 ADAPTOR IS REQUIRED TO USE "U" DIES IN Y45 SERIES TOOLS.
- CATALOG # PUADP-1 ADAPTOR IS REQUIRED TO USE "U" DIES IN Y46 SERIES TOOLS.
- Y35P3 INDENTOR ADAPTOR REQUIRED FOR Y34PR INDENTOR.
- PERMANENT DIE IN TOOLING.
- DIMENSIONS IN BRACKETS [] ARE IN MILLIMETERS ROUNDED OFF TO THE NEAREST MILLIMETER, UNLESS OTHERWISE NOTED, AND ARE FOR REFERENCE ONLY.
- FOR USE BY CUSTOMERS THAT HAVE THIS HYPRESS™. NO NEW Y34A HYPRESS™ TOOLS ARE BEING PROCESSED. Y34A USES A--D NEST DIES ONLY.
- CONNECTORS ARE UL LISTED; UNDRILLED VERSIONS ARE NOT UL LISTED.
- CONNECTORS ARE CSA CERTIFIED; UNDRILLED VERSIONS ARE NOT CSA CERTIFIED.
- FOR UNDRILLED VERSIONS ADD SUFFIX "-U" TO END OF CATALOG NUMBER.
FOR UNDRILLED VERSIONS, USE D MIN. = N MAX. + Z MIN.
- "X", "W-RT", "W-VT", "U" & "L" DIE SETS ARE COLOR CODED. "A", "B" AND "C" DIES ARE NOT COLOR CODED. NESTS AND INDENTOR TYPE ARE NOT COLOR CODED.
- X8CABT & U8CABT DIES USED ON YA6C-- HYLUG™ NOT YA5C--HYLUG™



REFERENCE: SE209240

TO ORDER BURNDY® PRODUCTS CALL		HYLUG™ COPPER	
UNITED STATES 1-800-346-4175 (LONDONDERRY, NH)		ITEM NO: N/A	CAT. NO: YA-L, YA-L-TC-, YAV-TC-
CANADA: 1-800-361-6975 (QUEBEC) 1-800-387-6487 (ALL OTHER PROVINCES)		DRAWN BY: C.RACCANO 06/16/1977	CHECKER: CAR 06/16/1977
FOR PRODUCT INFO: http://www.burndy.com		DSN APPVL: LB 06/24/1977	MFG APPVL: N/A
		QA APPVL: C.ACKERMAN 09/30/1994	MKT APPVL: T.NELSON 09/07/1994
		PROJ #: --	SIZE: D
		DOCUMENT TYPE: Sales	REL LEVEL: Released
		SCALE: 1:1	DRAWING NO: SD079848
			SHEET 2 OF 17

REV: PE0200

8

7

6

5

4

3

2

1