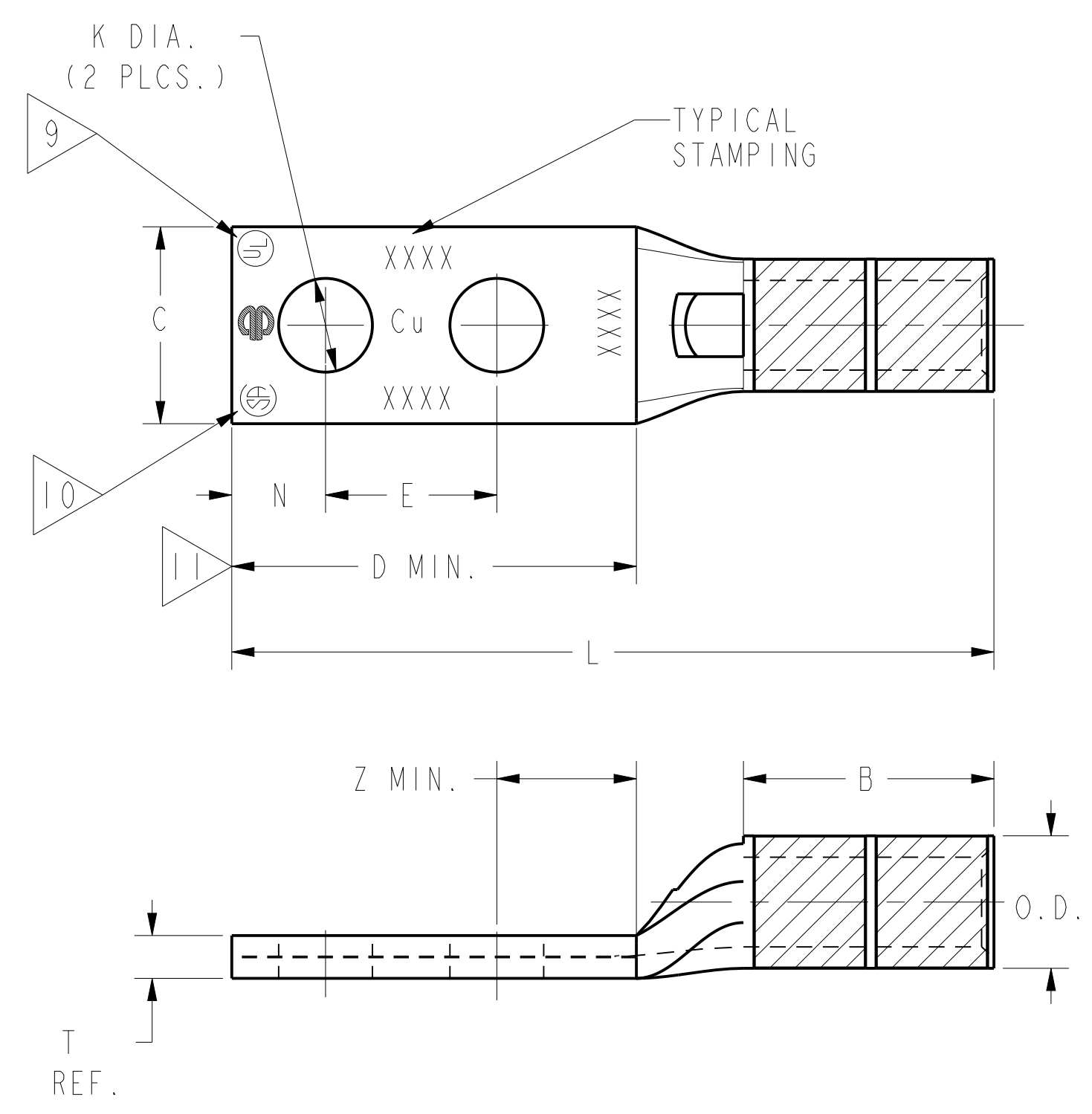


REV	DATE	DESCRIPTION	ECO	BY	C.H.K.
G	07/09/2015 00:00:00 AM	ADDED NOTE "DO NOT USE PAT644 OR Y644 TOOLING WITH 6 AWG SOL"	40916	SPR	MA

CATALOG NUMBER	STRANDED COPPER CONDUCTOR ACCOMMODATED			BOLT SIZE	METRIC BOLT SIZE	DIMENSIONS								
	CODE (AWG)	NAVY	METRIC SIZE (CLASS 2)			B	C	E	K DIA.	L	N	O.D.	T REF.	Z MIN.
YA6CL2TC516E2				5/16	M8		.52 [13]	.75 [19]	.33 [8]	2.53 [64]	.34 [9]	.29 [7]	.07 [2]	.36 [9]
YA6CL2TC516	#6 STR #6 SOL	-----	-----	5/16	M8	.54 [14]	.52 [13]	1.00 [25]	.33 [8]	2.78 [71]	.34 [9]	.29 [7]	.07 [2]	.36 [9]
YA6C2LN				1/2	M12		.83 [21]	1.75 [44]	.56 [14]	4.10 [104]	.62 [16]	.29 [7]	.12 [3]	.64 [16]
YA5C2L	#5 AWG	30	16mm <sup>2</sup> STR [5.3]	1/4	M6	.81 [21]	.44 [11]	.62 [16]	.27 [7]	2.28 [58]	.25 [6]	.30 [8]	.07 [2]	.33 [8]
YA4CL2TC10				#10	M5		.50 [13]	.62 [16]	.21 [5]	2.24 [57]	.25 [6]	.34 [9]	.09 [2]	.27 [7]
YA4CL2TC10E2				#10	M5			.75 [19]	.21 [5]	2.36 [60]	.25 [6]			.27 [7]
YA4C2L				1/4	M6			.62 [16]	.27 [7]	2.30 [58]	.25 [6]			.33 [8]
YA4CL2TC14				1/4	M6			.62 [16]		2.36 [60]	.31 [8]			
YA4CL2TC14E2	#4 AWG	40	-----	1/4	M6			.75 [19]		2.49 [63]	.31 [8]			
YA4CL2TC14E1				1/4	M6		.50 [13]	1.00 [25]	.27 [7]	2.74 [70]	.31 [8]			.33 [8]
YA4CL2TC516				5/16	M8		.52 [13]	1.00 [25]	.33 [8]	2.80 [71]	.34 [9]			.09 [2]
YA4CL2TC38				3/8	M10		.58 [15]	1.00 [25]	.39 [10]	2.96 [75]	.41 [10]			.08 [2]
YA4C2LN				1/2	M12		.83 [21]	1.75 [44]	.56 [14]	4.14 [105]	.63 [16]			.12 [3]



INSTALLATION TOOLING (# CRIMPS)

CATALOG NO.	COLOR CODE	DIE INFORMATION		MECHANICAL				HYDRAULIC						DIELESS (# CRIMPS)	WIRE STRIP LENGTH	
		DIE INDEX	TYPE	YIMRTC Y122CMR	OUR840	MD6 MD7	MD6--R2 MD7-34R	Y500CT PAT600 PATMD6	Y34A Y34B Y34BH	Y35, Y39 Y750, PAT750	Y46 PAT46	Y45	Y48B			Y60BHU
YA6C- SERIES	BLUE	7 374	BLUE DIE SET	BLUE(1)	X5CRT(1) X8CABT(1)	W5CRT(1) W5CVT(1)	W5CRT(1) W5CVT(1)	X5CRT(1), X8CABT(1) WRCRT(1), W5CVT(1)	-----	U5CRT(1) U8CABT(1)	U5CRT(1) U8CABT(1)	U5CRT(1) U8CABT(1)	-----	-----	MECHANICAL: MY29-3(1) MY29-11(1) MRC840(1)	5/8" FOR YA6C-
YA5C- SERIES			NEST	-----	-----	-----	-----	-----	B6CD(1) A6CD(1)	U6CD-1(1)	U6CD-1(1)	U6CD-1(1)	-----	-----		7/8" FOR YA5C-
YA4C- SERIES			GRAY	8 346	GRAY DIE SET	GRAY(2)	X4CRT(1)	W4CRT(1) W4CVT(1)	W4CRT(1) W4CVT(1)	X4CRT(1), W4CRT(1) W4CVT(1)	-----	U4CRT(1) U6CABT(1)	U4CRT(1) U6CABT(1)	U4CRT(1) U6CABT(1)		-----
	NEST	-----	-----		-----	-----	-----	-----	B4CD(1) A4CD(1)	U4CD-1(1)	U4CD-1(1)	U4CD-1(1)	-----	-----		
	INDENTOR	-----	-----		-----	-----	-----	-----	-----	Y34PR	Y34PR	Y34PR	Y34PR	-----	-----	

CONNECTOR SIZE	TOLERANCES						
	B	C	E	K DIA.	L	N	O.D.
-8C THRU -25	±.06	±.04	±.02	±.02	±.09	±.03	±.01

TOLERANCE BLOCK

NOTES:

- MATERIAL: COPPER TUBING.
- FINISH: TIN PLATED.
- CATALOG # PT6515 ADAPTOR IS REQUIRED TO USE "U" DIES IN Y45 SERIES TOOLS.
- CATALOG # PUADP-1 ADAPTOR IS REQUIRED TO USE "U" DIES IN Y46 SERIES TOOLS.
- Y35P3 INDENTOR ADAPTOR REQUIRED FOR Y34PR INDENTOR.
- PERMANENT DIE IN TOOLING.
- DIMENSIONS IN BRACKETS [ ] ARE IN MILLIMETERS ROUNDED OFF TO THE NEAREST MILLIMETER, UNLESS OTHERWISE NOTED, AND ARE FOR REFERENCE ONLY.
- FOR USE BY CUSTOMERS THAT HAVE THIS HYPRESS™ NO NEW Y34A HYPRESS™ TOOLS ARE BEING PROCESSED. Y34A USES A--D TYPE NEST DIES.
- CONNECTORS ARE "UL" LISTED; UNDRILLED VERSIONS ARE NOT "UL" LISTED.
- CONNECTORS ARE "CSA" CERTIFIED; UNDRILLED VERSIONS ARE NOT "CSA" CERTIFIED.
- FOR UNDRILLED VERSIONS ADD SUFFIX "-U" TO END OF CATALOG NUMBER. FOR UNDRILLED VERSIONS, USE D MIN. = N MAX. + E MIN. + Z MIN.
- "X", "W-RT", "W-VT", "U", & "L" DIE SETS ARE COLOR CODED. "A", "B", AND "C" DIES ARE NOT COLOR CODED. NESTS AND INDENTOR TYPE ARE NOT COLOR CODED.
- X8CABT & U8CABT DIES USED ON YA6C--HYLUG™ NOT YA5C--HYLUG™
- DO NOT USE PAT644 OR Y644 TOOLING WITH 6 AWG SOL.

REFERENCE: SE209512  
SUPERSEDES: SC91923

TO ORDER BURNDY® PRODUCTS CALL  
UNITED STATES  
1-800-346-4175 (LONDONDERRY, NH)  
CANADA:  
1-800-361-6975 (QUEBEC)  
1-800-387-6487 (ALL OTHER PROVINCES)  
FOR PRODUCT INFO: <http://www.burndy.com>

HYLUG™ COPPER	
ITEM NO:	N/A
CAT. NO:	YA-C-- (TABLE)
DRAWN BY:	J. MICHAUD 11/18/94
CHECKER:	D. FILLION 11/18/94
DSN APPVL:	C. PALAGI 10/24/94
MFG APPVL:	-- --
QA APPVL:	C. ACKERMAN 11/17/94
MKT APPVL:	T. NELSON 11/10/94
PROD FAM:	CM&R COMPRESSION
DRAWING NO:	SD035209
PROJECT #:	--
DOCUMENT TYPE:	Sales
REL LEVEL:	Released
SCALE:	NTS
SHEET:	4 OF 18

REV: PEC200