

CATALOG NUMBER	STRANDED COPPER CONDUCTOR ACCOMMODATED			BOLT SIZE	METRIC BOLT SIZE	DIMENSIONS								
	CODE (AWG)	NAVY	METRIC SIZE (CLASS 2)			B	C	E	K DIA.	L	N	O.D.	T REF.	Z MIN.
YA352L	550 kcmil	-----	-----	3/8	-----	1.69 [43]	1.65 [42]	1.13 [29]	.44 [11]	4.64 [118]	.50 [13]	1.13 [29]	.25 [6]	.52 [13]
YA352LN				1/2	M12	1.69 [43]	1.65 [42]	1.75 [44]	.56 [14]	5.51 [140]	.63 [16]	1.13 [29]	.25 [6]	.64 [16]
YA362L	600 kcmil	-----	300mm ² STR [23.1]	3/8	-----	1.38 [35]	1.74 [44]	1.13 [29]	.44 [11]	4.36 [111]	.50 [13]	1.19 [30]	.27 [7]	.52 [13]
YA362L2TC38				3/8	-----	1.38 [35]	1.74 [44]	1.00 [25]	.40 [10]	4.23 [107]	.50 [13]	1.19 [30]		.52 [13]
YA362LN				1/2	M12	1.38 [35]	1.74 [44]	1.75 [44]	.56 [14]	5.23 [133]	.63 [16]	1.19 [30]		.64 [16]
YA372L	650 kcmil	-----	-----	3/8	-----	1.39 [35]	1.80 [46]	1.13 [29]	.44 [11]	4.40 [112]	.50 [13]	1.23 [31]	.27 [7]	.52 [13]
YA372LN				1/2	M12	1.39 [35]	1.80 [46]	1.75 [44]	.56 [14]	5.27 [134]	.63 [16]	1.23 [31]		.64 [16]

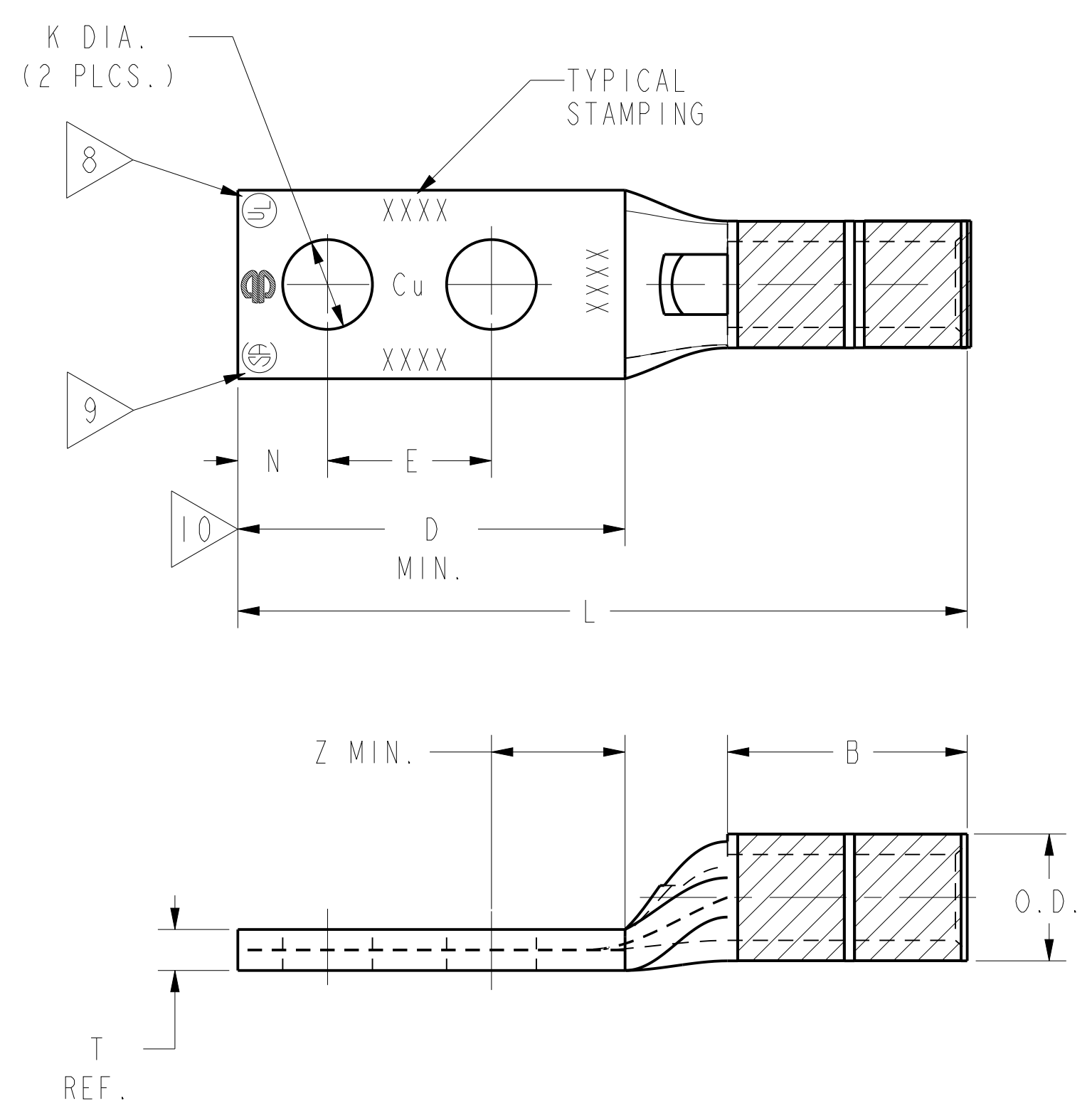
REV	DATE	DESCRIPTION	ECO	BY	CHK.
E	2019-11-18 00:00:00 EST	ADDED NOTE 4103	53047	JL	TR

CONNECTOR SIZE	TOLERANCES						
	B	C	E	K DIA.	L	N	O.D.
-8C THRU -25	±.06	±.04	±.02	±.02	±.09	±.03	±.01
-26 THRU -34	±.08	±.04	±.02	±.02	±.12	±.03	±.01
-35 AND UP	±.09	±.06	±.02	±.02	±.15	±.06	±.01

TOLERANCE BLOCK

CATALOG NO.	COLOR CODE	DIE INFORMATION		MECHANICAL RATCHET					HYDRAULIC				DIELESS (# CRIMPS)	WIRE STRIP LENGTH	
		DIE INDEX	TYPE	YIMRTC	OUR840	MD6 MD7	MD6--R2 MD7-34R	Y34A Y34B Y34BH	Y35, Y39 Y750, PAT750	Y46 PAT46	Y45	Y48B			Y60BHU
YA352L YA352LN	YELLOW	21	YELLOW DIE SET NEST INDENTOR	-----	-----	-----	-----	-----	U35RT(2)	U35RT(2) P35D(1) P44PR	U35RT(2)	----- C35D(1) Y48PR	HYDRAULIC: Y81KFT(2) Y4PC834(2) Y644(1)	1-3/4"	
YA362L YA362L2TC38 YA362LN	GREEN	22 472	GREEN DIE SET NEST INDENTOR	-----	-----	-----	-----	-----	U36RT(2) U32ART(2)	U36RT(2) U32ART(2) P36D(1) P44PR	U36RT(2) U32ART(2)	C36R(1) C32AR(1) C36D(1) Y48PR			L36RT(1) L32ART(1)
YA372L YA372LN	ORANGE	23	ORANGE DIE SET NEST INDENTOR	-----	-----	-----	-----	-----	U37RT(2)	U37RT(2) P37D(1) P44PR	U37RT(2)	C37R(1) C37D(1) Y48PR			

- NOTES:
- MATERIAL: COPPER TUBING.
 - FINISH: TIN PLATED.
 - CATALOG # PT6515 ADAPTOR IS REQUIRED TO USE "U" DIES IN Y45 SERIES TOOLS.
 - CATALOG # PUADP-1 ADAPTOR IS REQUIRED TO USE "U" DIES IN Y46 SERIES TOOLS.
 - PERMANENT DIE IN TOOLING.
 - DIMENSIONS IN BRACKETS [] ARE IN MILLIMETERS ROUNDED OFF TO THE NEAREST MILLIMETER, UNLESS OTHERWISE NOTED, AND ARE FOR REFERENCE ONLY.
 - FOR USE BY CUSTOMERS THAT HAVE THIS HYPRESS™ NO NEW Y34A HYPRESS™ TOOLS ARE BEING PROCESSED. Y34A USES A--D TYPE NEST DIES.
 - CONNECTORS ARE UL LISTED; UNDRILLED VERSIONS ARE NOT UL LISTED.
 - CONNECTORS ARE CSA CERTIFIED; UNDRILLED VERSIONS ARE NOT CSA CERTIFIED.
 - FOR UNDRILLED VERSIONS ADD SUFFIX "-U" TO END OF CATALOG NUMBER. FOR UNDRILLED VERSIONS, USE D MIN. = N MAX. + E MIN. + Z MIN.
 - "X", "W-RT", "W-VT", "U", & "L" DIE SETS ARE COLOR CODED. "A", "B", AND "C" DIES ARE NOT COLOR CODED. NESTS AND INDENTOR TYPE ARE NOT COLOR CODED.
 - FINISH: TIN PLATED. THE FOLLOWING SUFFIXES DENOTE OPTIONAL PLATING TYPES. BR = BARE; LD = LEAD; NK = NICKEL; SV = SILVER. (EXAMPLE: YAV4CL2TC14NK)



REFERENCE : SE209512
SUPERSEDES: SC91923

TO ORDER BURNDY® PRODUCTS CALL		COPPER HYLUG™	
UNITED STATES 1-800-346-4175 (LONDONDERRY, NH)		ITEM NO: N/A	CAT. NO: YA-2L, YA-L-2TC, YA--2NT, YA-4L (TABLE)
CANADA: 1-800-361-6975 (QUEBEC) 1-800-387-6487 (ALL OTHER PROVINCES)		DRAWN BY: J.MICHAUD 11/18/94	CHECKER: D.FILLION 11/18/94
FOR PRODUCT INFO: http://www.burndy.com		DSN APPVL: C.PALAGI 10/24/94	MFG APPVL: -- --
		GA APPVL: C.ACKERMAN 11/17/94	MKT APPVL: T.NELSON 11/10/94
		PROD FAM: CM&R COMPRESSION	DRAWING NO: SD035209
		PROJECT #: --	SCALE: NTS
		DOCUMENT TYPE: Sales	REV: E
		REL LEVEL: Released	SHEET 12 OF 18

REV: PEG200