

CATALOG NUMBER	STRANDED COPPER CONDUCTOR ACCOMMODATED			BOLT SIZE	METRIC BOLT SIZE	DIMENSIONS							
	CODE (AWG)	NAVY	METRIC SIZE (CLASS 2)			B	C	K DIA.	L	N	O.D.	T REF.	Z MIN.
YA32	400 kcmil	400	---	5/8	M16	2.12 [54]	1.40 [36]	.69 [17]	4.15 [105]	.66 [17]	.95 [24]	.19 [5]	.67 [17]
YA32N				1/2	M12	2.12 [54]	1.40 [36]	.56 [14]	4.09 [104]	.63 [16]	.95 [24]	.19 [5]	.64 [16]
YA33	450 kcmil	---	---	5/8	M16	2.13 [54]	1.48 [38]	.69 [17]	4.24 [108]	.66 [17]	1.01 [26]	.21 [5]	.67 [17]
YA33N				1/2	M12	2.13 [54]	1.48 [38]	.56 [14]	4.17 [106]	.63 [16]	1.01 [26]	.21 [5]	.64 [16]
YA34	500 kcmil	---	240mm <sup>2</sup> STR [23.1]	5/8	M16	2.25 [57]	1.55 [39]	.69 [17]	4.39 [111]	.66 [17]	1.06 [27]	.23 [6]	.67 [17]
YA34N				1/2	M12	2.25 [57]	1.55 [39]	.56 [14]	4.32 [110]	.63 [16]	1.06 [27]	.23 [6]	.64 [16]

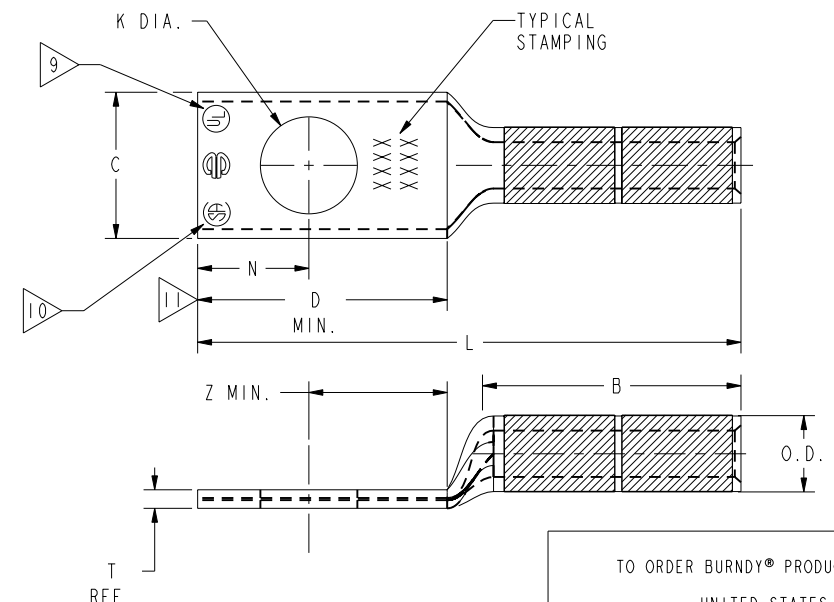
CONNECTOR SIZE	TOLERANCES					
	B	C	K DIA.	L	N	O.D.
-8C THRU -25	±.06	+ .04 - .02	±.02	±.09	±.03	±.01
-26 THRU -34	±.08	+ .04 - .06	±.02	±.12	±.03	±.01
-35 AND UP	±.09	±.06	±.02	±.15	±.06	±.01

TOLERANCE BLOCK

CATALOG NO.	COLOR CODE	DIE INFORMATION		MECHANICAL				HYDRAULIC						DIELESS (# CRIMPS) HYDRAULIC	WIRE STRIP LENGTH	
		DIE INDEX	TYPE	YIMRTC	OUR840	MD6 MD7	MD6--R2 MD7-34R	PATMD6 PAT600 Y500CT	Y34A Y34B Y34BH	Y35, Y39 Y750, PAT750	Y46, PAT46	Y45	Y48B			Y60BHU
YA32 YA32N	BLUE	19 470	BLUE DIE SET NEST INDENTOR	----	----	----	W32RT(4) W32VT(4)	W32VT(4)	----	U32RT(4) U30ART(4)	U32RT(4) U30ART(4)	U32RT(4) U30ART(4)	C32R(1) C30AR(1)	L32RT(1) L30ART(1)	PAT81KFT(3) Y81KFT(3) PAT4PC834(3) Y4PC834(3) PAT644(1) Y644(1)	2-3/16"
YA33 YA33N	GRAY	326 538	GRAY DIE SET NEST INDENTOR	----	----	----	W33RT(4) W33VT(4)	W33VT(4)	----	U33RT(4)	U33RT(4)	U33RT(4)	----	L33RT(1)	PAT81KFT(4) Y81KFT(4) PAT4PC834(4) Y4PC834(4) PAT644(1) Y644(1)	2-5/16"
YA34 YA34N	BROWN	20 299	BROWN DIE SET NEST INDENTOR	----	----	----	W34RT(4) W34VT(4)	W34VT(4)	----	U34RT(4) U31ART(2)	U34RT(4) U31ART(2)	U34RT(4) U31ART(2)	C34R(2) C31AR(2)	L34RT(2)	PAT81KFT(4) Y81KFT(4) PAT4PC834(4) Y4PC834(4) PAT644(1) Y644(1)	2-5/16"

NOTES:

- MATERIAL : COPPER TUBING.
- FINISH: ELECTRO-TIN PLATED.
- CATALOG # PT6515 ADAPTOR IS REQUIRED TO USE "U" DIES IN Y45 SERIES TOOLS.
- CATALOG # PUADP-1 ADAPTOR IS REQUIRED TO USE "U" DIES IN Y46 SERIES TOOLS.
- Y35P3 INDENTOR ADAPTOR REQUIRED FOR Y34PR INDENTOR.
- PERMANENT DIE IN TOOLING.
- DIMENSIONS IN BRACKETS [ ] ARE IN MILLIMETERS ROUNDED OFF TO THE NEAREST MILLIMETER, UNLESS OTHERWISE NOTED, AND ARE FOR REFERENCE ONLY.
- FOR USE BY CUSTOMERS THAT HAVE THIS HYPRESS™ NO NEW Y34A HYPRESS™ TOOLS ARE BEING PROCESSED. Y34A USES A--D NEST DIES ONLY.
- CONNECTORS ARE UL LISTED; UNDRILLED VERSIONS ARE NOT UL LISTED.
- CONNECTORS ARE CSA CERTIFIED; UNDRILLED VERSIONS ARE NOT CSA CERTIFIED.
- FOR UNDRILLED VERSIONS ADD SUFFIX "U" TO END OF CATALOG NUMBER. FOR UNDRILLED VERSIONS, USE D MIN. = N MAX. + Z MIN.
- "X", "W-RT", "W-VT", "U", & "L" DIE SETS ARE COLOR CODED. "A", "B", AND "C" DIES ARE NOT COLOR CODED. NESTS AND INDENTOR TYPE ARE NOT COLOR CODED.



SUPERSEDES: SA794849 (SHT.6)  
REFERENCE: SD17179 (YA-2, YA-4)  
SE209241

TO ORDER BURNDY® PRODUCTS CALL		HYLUG™	
UNITED STATES 1-800-346-4175 (LONDONDERRY, NH)		ITEM NO: --	CAT. NO: YA-, YA-N, YA-TC-
CANADA: 1-800-361-6975 (QUEBEC) 1-800-387-6487 (ALL OTHER PROVINCES)		DRAWN BY: C.RACANO 6/16/77	CHECKER: CAR 6/16/77
FOR PRODUCT INFO: <a href="http://www.burndy.com">http://www.burndy.com</a>		DSN APPVL: LB 6/24/77	MFG APPVL: N/A N/A
		QC APPVL: C.ACKERMAN 9/9/94	MKT APPVL: T.NELSON 9/7/94
		SCALE: NTS	PROJ #: --
		SIZE: D	DRAWING NO: SD079849
		REL LEVEL: Released	SHEET 6 OF 10

REV: PE0200