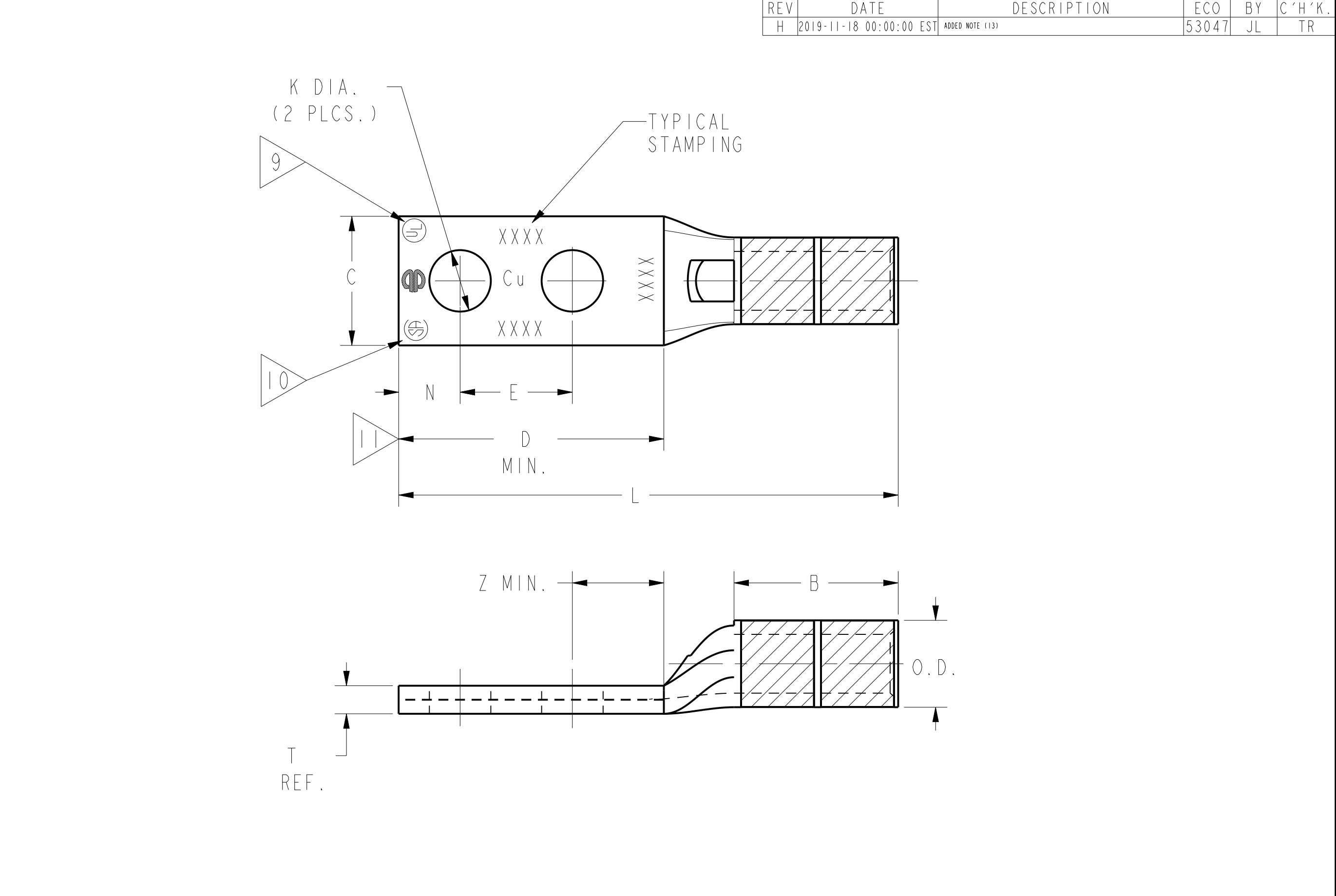


CATALOG NUMBER	STRANDED COPPER CONDUCTOR ACCOMMODATED			BOLT SIZE	METRIC BOLT SIZE	DIMENSIONS								
	CODE (AWG)	NAVY	METRIC SIZE (CLASS 2)			B	C	E	K DIA.	L	N	O.D.	T REF.	Z MIN.
YA3CL2TC14	#3 AWG	50	25mm ² STR [6.6]	1/4	M6	.88 [22]	.55 [14]	.62 [16]	.27 [7]	2.45 [62]	.31 [8]	.38 [10]	.09 [2]	.33 [8]
YA3CL2TC14E1				1/4	M6	.55 [14]	1.00 [25]	.27 [7]	2.83 [72]	.31 [8]	.38 [10]	.09 [2]	.33 [8]	
YA3C2L				5/16	M8	.55 [14]	.75 [19]	.33 [8]	2.64 [67]	.34 [9]	.38 [10]	.09 [2]	.36 [9]	
YA3CL2TC38				3/8	M10	.58 [15]	1.00 [25]	.39 [10]	3.06 [78]	.41 [10]	.38 [10]	.08 [2]	.42 [11]	
YA3CL2TC12E11				1/2	M12	.55 [14]	2.00 [51]	.53 [13]	4.31 [109]	.53 [13]	.38 [10]	.09 [2]	.55 [14]	
YA2CL2TC14	#2 AWG	60	-----	1/4	M6	.60 [15]	.62 [16]	.27 [7]	2.47 [63]	.31 [8]	.42 [11]	.11 [3]	.33 [8]	
YA2CL2TC14E2				1/4	M6	.60 [15]	.75 [19]	2.60 [66]	2.85 [72]	.34 [9]	.36 [9]			
YA2CL2TC14E10				1/4	M6	.60 [15]	1.25 [32]	3.10 [79]	2.85 [72]	.31 [8]	.33 [8]			
YA2CL2TC14E1				1/4	M6	.60 [15]	1.00 [25]	2.85 [72]	.34 [9]	.36 [9]				
YA2CL2NT14E1				1/4	M6	.48 [12]	1.00 [25]	.27 [7]	2.85 [72]	.31 [8]	.33 [8]			
YA2C2L				5/16	M8	.60 [15]	.75 [19]	.33 [8]	2.67 [68]	.34 [9]	.36 [9]			
YA2CL2TC516				5/16	M8	.60 [15]	1.00 [25]	.33 [8]	2.91 [74]	.34 [9]	.36 [9]			
YA2CL2TC38				3/8	M10	.60 [15]	1.00 [25]	.40 [10]	3.03 [77]	.41 [10]	.42 [11]			
YA2C2LN				1/2	M12	.83 [21]	1.75 [44]	.56 [14]	4.27 [108]	.63 [16]	.42 [11]	.08 [2]	.64 [16]	



CATALOG NO.	COLOR CODE	DIE INFORMATION		MECHANICAL				HYDRAULIC						DIELESS (# CRIMPS)	WIRE STRIP LENGTH	
		DIE INDEX	TYPE	Y1MRTC	OUR840	MD6 MD7	MD6--R2 MD7-34R	Y34A Y34B Y34BH	Y500CT PAT600 PATMD6	Y35, Y39, Y750, PAT750	Y46 PAT46	Y45	Y48B			Y60BHU
YA3CL2TC14 YA3CL2TC14E1 YA3C2L YA3CL2TC38 YA3CL2TC12E11	WHITE	9	WHITE DIE SET	WHITE (2)	W3CRT (1)	W3CRT (1)	W3CRT (1)	-----	W3CRT (1)	U3CRT(1)	U3CRT(1)	U3CRT(1)	-----	-----	MECHANICAL: MY29-3(1) MY29-11(1) MRC840(1)	15/16"
			NEST	-----	-----	-----	-----	B3CD(1) A3CD(1)	-----	U3CD-1(1)	U3CD-1(1)	U3CD-1(1)	-----	-----		
YA2CL2TC14 YA2CL2TC14E2 YA2CL2TC14E10 YA2CL2TC14E1 YA2CL2NT14E1 YA2C2L YA2CL2TC516 YA2CL2TC38 YA2C2LN	BROWN	10	BROWN DIE SET	BROWN(2)	X2CRT(1)	W2CRT(1) W2CVT(1)	W2CRT(1) W2CVT(1)	-----	X2CRT(1) W2CRT(1) W2CVT(1)	U2CRT(1)	U2CRT(1)	U2CRT(1)	-----	-----	HYDRAULIC: Y644M(1) Y81KFT(1) Y4PC834(1) Y644(1)	15/16"
			NEST	-----	-----	-----	-----	B2CD(1) A2CD(1)	-----	U2CD-1(1)	U2CD-1(1)	U2CD-1(1)	-----	-----		
			INDENTOR	-----	-----	-----	-----	Y34PR	-----	Y34PR	Y34PR	Y34PR	-----	-----		

- NOTES:
- MATERIAL: COPPER TUBING.
 - FINISH: TIN PLATED.
 - CATALOG # PT6515 ADAPTOR IS REQUIRED TO USE "U" DIES IN Y45 SERIES TOOLS.
 - CATALOG # PUADP-1 ADAPTOR IS REQUIRED TO USE "U" DIES IN Y46 SERIES TOOLS.
 - Y35P3 INDENTOR ADAPTOR REQUIRED FOR Y34PR INDENTOR.
 - PERMANENT DIE IN TOOLING.
 - DIMENSIONS IN BRACKETS [] ARE IN MILLIMETERS ROUNDED OFF TO THE NEAREST MILLIMETER, UNLESS OTHERWISE NOTED, AND ARE FOR REFERENCE ONLY.
 - FOR USE BY CUSTOMERS THAT HAVE THIS HYPRESS.™ NO NEW Y34A HYPRESS™ TOOLS ARE BEING PROCESSED. Y34A USES A--D TYPE NEST DIES.
 - CONNECTORS ARE UL LISTED; UNDRILLED VERSIONS ARE NOT UL LISTED.

CONNECTOR SIZE	TOLERANCES						
	B	C	E	K DIA.	L	N	O.D.
-8C THRU -25	±.06	±.04	±.02	±.02	±.09	±.03	±.01

- TOLERANCE BLOCK
- CONNECTORS ARE CSA CERTIFIED; UNDRILLED VERSIONS ARE NOT CSA CERTIFIED.
 - FOR UNDRILLED VERSIONS ADD SUFFIX "-U" TO END OF CATALOG NUMBER. FOR UNDRILLED VERSIONS, USE D MIN. = N MAX. + E MIN. + Z MIN.
 - "X", "W-RT", "W-VT", "U", & "L" DIE SETS ARE COLOR CODED. "A", "B", AND "C" DIES ARE NOT COLOR CODED. NESTS AND INDENTOR TYPE ARE NOT COLOR CODED.
 - FINISH: TIN PLATED. THE FOLLOWING SUFFIXES DENOTE OPTIONAL PLATING TYPES. BR = BARE; LD = LEAD; NK = NICKEL; SV = SILVER (EXAMPLE: YAV4CL2TC14NK)

TO ORDER BURNDY® PRODUCTS CALL UNITED STATES 1-800-346-4175 (LONDONDERRY, NH) CANADA: 1-800-361-6975 (QUEBEC) 1-800-387-6487 (ALL OTHER PROVINCES) FOR PRODUCT INFO: <http://www.burndy.com>

HYLUG™ COPPER

ITEM NO:	N/A
CAT. NO:	YA--2L-, YA--2TC- (TABLE)
DRAWN BY:	J.MICHAUD 11/16/94
CHECKER:	D.FILLION 11/16/94
DSN APPVL:	C.PALAGI 16/24/94
MFG APPVL:	-- --
QA APPVL:	C.ACKERMAN 11/17/94
MKT APPVL:	T.NELSON 11/14/94
PROD FAM:	CM&R COMPRESSION
PROJECT #:	--
DOCUMENT TYPE:	Sales
REL LEVEL:	Released

SCALE: NTS
DRAWING NO: SD035209
REV: H
SHEET 5 OF 18