





**Mechanical Interlock ①**



**Table 86. Mechanical Interlock**

	For Use with...	Pkg. Qty.	Catalog Number	Price U.S. \$ ②
	XTCE007B – XTCE015B, XTCE020B	5	XTCEXMLB	20.30
	XTCE018C – XTCE032C	1	XTCEXMLC	20.30
	XTCE040D – XTCE065D	1	XTCEXMLD	27.75
	XTAE080F – XTCE150G	1	XTCEXMLG ③	112.00
	XTCE185L – XTCE500M	1	XTCEXMLM	72.50
	XTCE580N – XTCEC10N	1	XTCEXMLN ③	330.00



- ① For two contactors with AC or DC operated magnet system which are horizontally or vertically mounted. For B – G frames, mechanical lifespan is 2.5 x 10<sup>6</sup> operations and the distance between contactors is 0 mm. For L – N frames, mechanical lifespan is 5 x 10<sup>6</sup> operations and no auxiliary contact can be mounted between the mechanical interlock and the contactor — the distance between contactors is 15 mm.
- ② Price listed is for a quantity of one (1). Orders must be placed in multiples of package quantity listed.
- ③ XTCEXMLG and XTCEXMLN consist of an interlock element and mounting plate.

**Reversing Link Kits**



Main current wiring for reversing combinations. Includes Paralleling Bridge and Reversing Bridge. Does not include Mechanical Interlock, see Table 86.

**Table 87. Reversing Link Kits**

	For Use with...	Pkg. Qty.	Catalog Number	Price U.S. \$
	XTCE007B – XTCE015B	1	XTCEXRLB ④	37.50
	XTCE018C – XTCE032C	1	XTCEXRLC	59.00
	XTCE040D – XTCE065D	1	XTCEXRLD	69.50
	XTCE115G – XTCE150G	1	XTCEXRLLG	535.00
	XTCE185L – XTCE250L	1	XTCEXRLL	905.00
	XTCE300M – XTCE400M	1	XTCEXRLLM400	1,170.00



- ④ Also includes Interlocking Bridge (XTCEXLBB). The following control cables are integrated for electrical interlock: K1M: A1 – K2M: 21; K1M: 21 – K2M: A1; K1M: A2 – K2M: A2.

**Star-Delta (Wye-Delta) Link Kits**



Main current wiring for star-delta (wye-delta) combinations. Includes Paralleling Bridge, Reversing Bridge, and Star-Delta Bridge. Does not include Mechanical Interlock, see Table 86.

**Table 88. Star-Delta (Wye-Delta) Link Kits**

	For Use with...	Pkg. Qty.	Catalog Number	Price U.S. \$
	XTCE007B – XTCE015B	1	XTCEXSDLB ⑤	48.00
	XTCE018C – XTCE032C	1	XTCEXS DLC	70.50
	XTCE040D – XTCE065D	1	XTCEXS DLD	85.50
	XTCE080F – XTCE095F	1	XTCEXS DLF	421.00
	XTCE115G – XTCE150G	1	XTCEXS DLG	580.00
	XTCE185L – XTCE225L	1	XTCEXS DLL225	575.00
	XTCE250L	1	XTCEXS DLL250	426.00
	XTCE300M – XTCE400M	1	XTCEXS DLM400	461.00


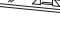
- ⑤ Also includes Interlocking Bridge (XTCEXLBB). The following control cables are integrated for electrical interlock: K1M: A1 – K2M: 21; K1M: 21 – K2M: A1; K1M: A2 – K2M: A2.

**Paralleling Bridge**



Component part of Reversing Link Kit (XTCEXRL\_). Parallels the phases on the line-side of two contactors.

**Table 89. Paralleling Bridge**

	For Use with...	Pkg. Qty.	Catalog Number	Price U.S. \$ ⑥
	XTCE007B – XTCE015B	20	XTCEXPBB	18.20
	XTCE018C – XTCE032C	20	XTCEXPBC	29.00
	XTCE040D – XTCE065D	10	XTCEXPBD	37.50
	XTCE080F – XTCE150G	10	XTCEXPBG	266.00



- ⑥ Price listed is for a quantity of one (1). Orders must be placed in multiples of package quantity listed.

**Reversing Bridge**



Component part of Reversing Link Kit (XTCEXRL\_). Reverses the phases on the load-side of two contactors.

**Table 90. Reversing Bridge**



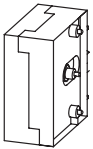
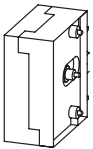
	For Use with...	Pkg. Qty.	Catalog Number	Price U.S. \$ ⑦
	XTCE007B – XTCE015B	20	XTCEXRBB	16.00
	XTCE018C – XTCE032C	20	XTCEXRBC	30.00
	XTCE040D – XTCE065D	10	XTCEXRBD	37.50
	XTCE080F – XTCE150G	10	XTCEXRBG	266.00

- ⑦ Price listed is for a quantity of one (1). Orders must be placed in multiples of package quantity listed.

**Mechanical Interlock ①**



**Table 86. Mechanical Interlock**

	For Use with...	Pkg. Qty.	Catalog Number	Price U.S. \$ ②
	XTCE007B – XTCE015B, XTCE020B	5	XTCEXMLB	20.30
	XTCE018C – XTCE032C	1	XTCEXMLC	20.30
	XTCE040D – XTCE065D	1	XTCEXMLD	27.75
	XTAE080F – XTCE150G	1	XTCEXMLG ③	112.00
	XTCE185L – XTCE500M	1	XTCEXMLM	72.50
	XTCE580N – XTCEC10N	1	XTCEXMLN ③	330.00



- ① For two contactors with AC or DC operated magnet system which are horizontally or vertically mounted. For B – G frames, mechanical lifespan is 2.5 x 10<sup>6</sup> operations and the distance between contactors is 0 mm. For L – N frames, mechanical lifespan is 5 x 10<sup>6</sup> operations and no auxiliary contact can be mounted between the mechanical interlock and the contactor — the distance between contactors is 15 mm.
- ② Price listed is for a quantity of one (1). Orders must be placed in multiples of package quantity listed.
- ③ XTCEXMLG and XTCEXMLN consist of an interlock element and mounting plate.

**Reversing Link Kits**



Main current wiring for reversing combinations. Includes Paralleling Bridge and Reversing Bridge. Does not include Mechanical Interlock, see Table 86.

**Table 87. Reversing Link Kits**

	For Use with...	Pkg. Qty.	Catalog Number	Price U.S. \$
	XTCE007B – XTCE015B	1	XTCEXRLB ④	37.50
	XTCE018C – XTCE032C	1	XTCEXRLC	59.00
	XTCE040D – XTCE065D	1	XTCEXRLD	69.50
	XTCE115G – XTCE150G	1	XTCEXRLLG	535.00
	XTCE185L – XTCE250L	1	XTCEXRLL	905.00
	XTCE300M – XTCE400M	1	XTCEXRLLM400	1,170.00

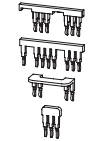
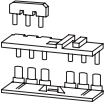
- ④ Also includes Interlocking Bridge (XTCEXLBB). The following control cables are integrated for electrical interlock: K1M: A1 – K2M: 21; K1M: 21 – K2M: A1; K1M: A2 – K2M: A2.

**Star-Delta (Wye-Delta) Link Kits**



Main current wiring for star-delta (wye-delta) combinations. Includes Paralleling Bridge, Reversing Bridge, and Star-Delta Bridge. Does not include Mechanical Interlock, see Table 86.

**Table 88. Star-Delta (Wye-Delta) Link Kits**

	For Use with...	Pkg. Qty.	Catalog Number	Price U.S. \$
	XTCE007B – XTCE015B	1	XTCEXSDLB ⑤	48.00
	XTCE018C – XTCE032C	1	XTCEXS DLC	70.50
	XTCE040D – XTCE065D	1	XTCEXS DLD	85.50
	XTCE080F – XTCE095F	1	XTCEXS DLF	421.00
	XTCE115G – XTCE150G	1	XTCEXS DLG	580.00
	XTCE185L – XTCE225L	1	XTCEXS DLL225	575.00
	XTCE250L	1	XTCEXS DLL250	426.00
	XTCE300M – XTCE400M	1	XTCEXS DLM400	461.00



- ⑤ Also includes Interlocking Bridge (XTCEXLBB). The following control cables are integrated for electrical interlock: K1M: A1 – K2M: 21; K1M: 21 – K2M: A1; K1M: A2 – K2M: A2.

**Paralleling Bridge**



Component part of Reversing Link Kit (XTCEXRL\_). Parallels the phases on the line-side of two contactors.

**Table 89. Paralleling Bridge**

	For Use with...	Pkg. Qty.	Catalog Number	Price U.S. \$ ⑥
	XTCE007B – XTCE015B	20	XTCEXPBB	18.20
	XTCE018C – XTCE032C	20	XTCEXPBC	29.00
	XTCE040D – XTCE065D	10	XTCEXPBD	37.50
	XTCE080F – XTCE150G	10	XTCEXPBG	266.00



- ⑥ Price listed is for a quantity of one (1). Orders must be placed in multiples of package quantity listed.

**Reversing Bridge**



Component part of Reversing Link Kit (XTCEXRL\_). Reverses the phases on the load-side of two contactors.

**Table 90. Reversing Bridge**

	For Use with...	Pkg. Qty.	Catalog Number	Price U.S. \$ ⑦
	XTCE007B – XTCE015B	20	XTCEXRBB	16.00
	XTCE018C – XTCE032C	20	XTCEXRBC	30.00
	XTCE040D – XTCE065D	10	XTCEXRBD	37.50
	XTCE080F – XTCE150G	10	XTCEXRBG	266.00

- ⑦ Price listed is for a quantity of one (1). Orders must be placed in multiples of package quantity listed.