



WGH LED SERIES

LED BUILDING MOUNT SERIES



WGH-81L



WGH-110L



WGH-225L

WGH series provides multiple sizes/form factors and lumen packages for perimeter lighting for safety and security. Applications include: factories, warehouses, self storage and commercial buildings.

Features and Benefits:

- Replaces up to 400w HID systems
- In stock for quick shipment
- Designed for mounting heights from 10-20ft
- Impact resistant non-yellowing glass refractor
- Three 1/2" threaded conduit hubs for wiring or photocontrol connection (PC not included)
- 120-277V, 50/60Hz operation
- Dark bronze powder paint finish



More Info: www.hubbelloutdoor.com/products/wall-mount/

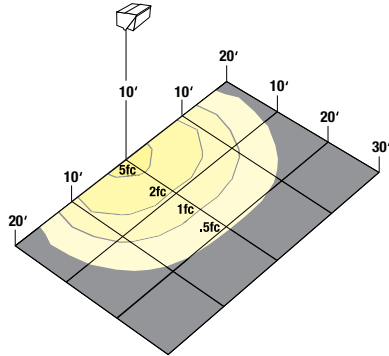
Performance Data

Series Number	Equivalency	Distribution Type	Lumens Delivered	Voltage	System Watts	Lumens Per Watt	CCT/CRI
WGH-81L-4K-U-S	175w	Type IV	2893	120-277V	32	90	4000K/80
WGH-81L-5K-U-S			3302			105	5000K/80
WGH-110L-4K-U-M	250w		6170		54	113	4000K/80
WGH-110L-5K-U-M			6372			116	5000K/80
WGH-225L-4K-U-L	400w		11838	102	116	4000K/80	
WGH-225L-4K-C-L			12818	347/480V	110	117	4000K/80
WGH-225L-5K-U-L			12134	120-277V	102	119	5000K/80

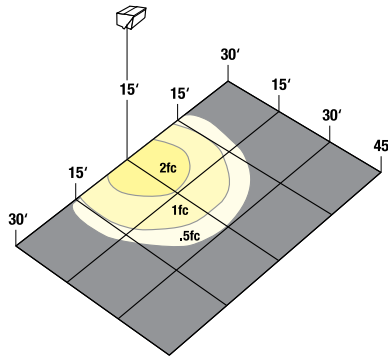




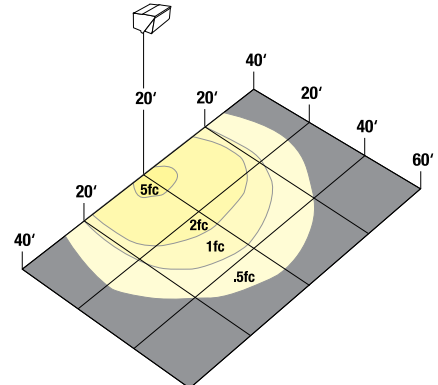
Performance



WGH-81L-4K-U-S



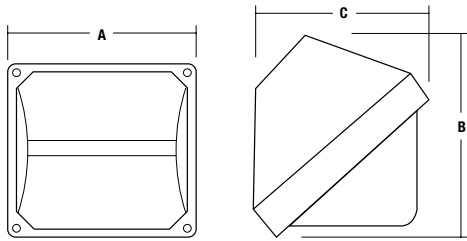
WGH-110L-4K-U-M



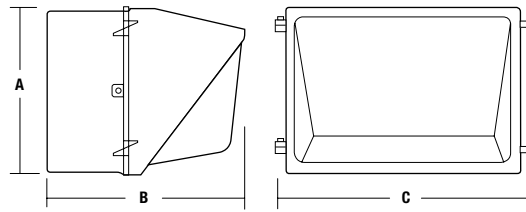
WGH-225L-4K-U-L

Dimensions

WGH-81L



WGH-110L & 225L



	A	B	C
WGH LED	8 1/2"	8 1/2"	8 1/2"
81L	216 mm	216 mm	216 mm
WGH LED	9"	7 1/4"	13"
110L	229 mm	184 mm	330 mm
WGH LED	9"	13.0"	17"
225L	229 mm	330 mm	432 mm

Accessories

CATALOG NUMBER	DESCRIPTION
PBT-1	Photocontrol, 120V
PBT-234	Photocontrol, 208, 240, 277V
SM106-SHIELD	Polycarbonate Shield for 110L size
SM708-GUARD	Wire Guard for 225L size

