

### Low Profile, Single & Dual Channel Steel Raceway

2400® Series Raceway is a single compartment raceway designed for communication or power applications and ideal for use in classrooms, offices, and hotel applications, or anywhere a small low profile raceway is needed.

2400D® Series Divided Raceway is a low profile steel raceway for use where a limited number of power and low voltage cables are required in the same raceway.

2400 Series Raceway shown with our new Downward Facing Receptacles in a typical school library application.



#### FEATURES & BENEFITS

- **Steel raceway.** Provides superior strength for any dry location.
- **Single- and dual-compartment attractive low profile raceway design.** Provides functionality and flexibility with aesthetics for single or dual service applications.
- **Downward facing activations.** Streamlines the raceway appearance and provides increased protection for both activations and cabling.
- **ScuffCoat™ finish.** Tough durable ScuffCoat finish makes a scratch-resistant surface that can be painted.
- **Complete line of fittings.** Provides complete wiring solution and allows for interconnection between raceway systems.
- **Removable cover.** Allows easy access to wiring for changes and additions.
- **One- and two-gang device boxes.** Now you can wire devices into the raceway system, making 2400 Series Raceway an excellent choice for communication wiring.
- **Over the raceway boxes.** Provides tremendous labor savings. Boxes mount over continuous run of raceway base eliminating the need to cut raceway when locating devices.
- **Bend radius control fittings.** Corner and tee fittings are UL verified to maintain full capacity 2" (51mm) bend radius control and exceed the recommendations of EIA/TIA 569A. These fittings provide cable protection in both lay-in and pull-through cable installations.
- **V2475D Bridge Fitting.** Provides ability to bridge 2400 Series Raceways over existing installations of 2400, 700, and 500 Series Raceways.
- **In-line field-configurable receptacles.** Receptacles can be installed at any point along the raceway without a box.
- **In-line 106 frame data outlet.** A wide variety of data modules can be installed anywhere along the raceway run without a box.
- **Communication connectivity options.** Accepts industry standard and proprietary devices from a wide range of manufacturers to provide a seamless and aesthetically pleasing interface for voice, data, audio, and video applications at the point of use.
- **UL and cUL Listed component raceways.** File E4376 Guide RJBT, Fittings: File E41751 Guide RJPR. Meets Article 386 of NEC and meets Section 12-600 of CEC.



Download this product's PEP ecopassport® environmental product declaration at [www.legrand.us/resources-and-downloads](http://www.legrand.us/resources-and-downloads). This declaration conforms with ISO 14025 and 14040 and is in alignment with EN 15804.

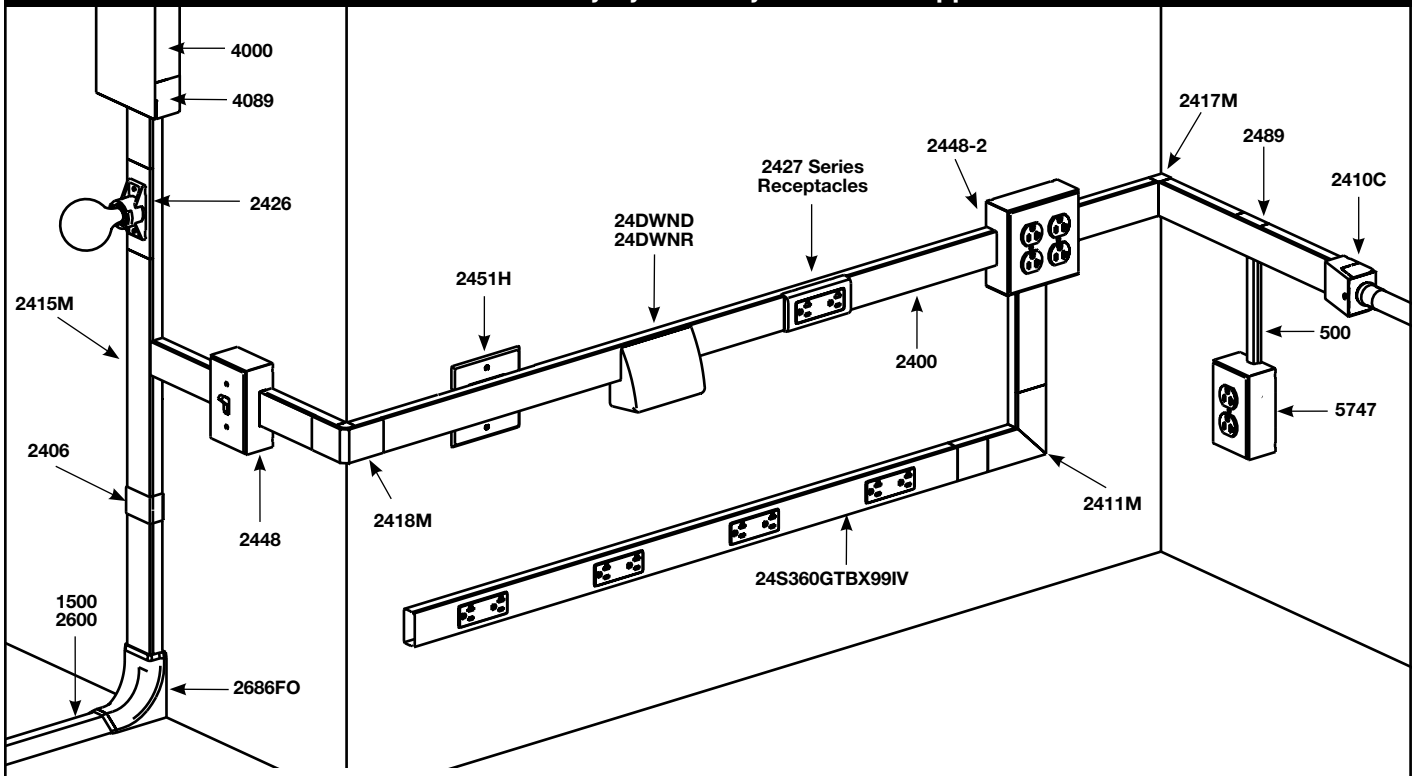


24DWNR Downward Facing Activation shown in a security application.



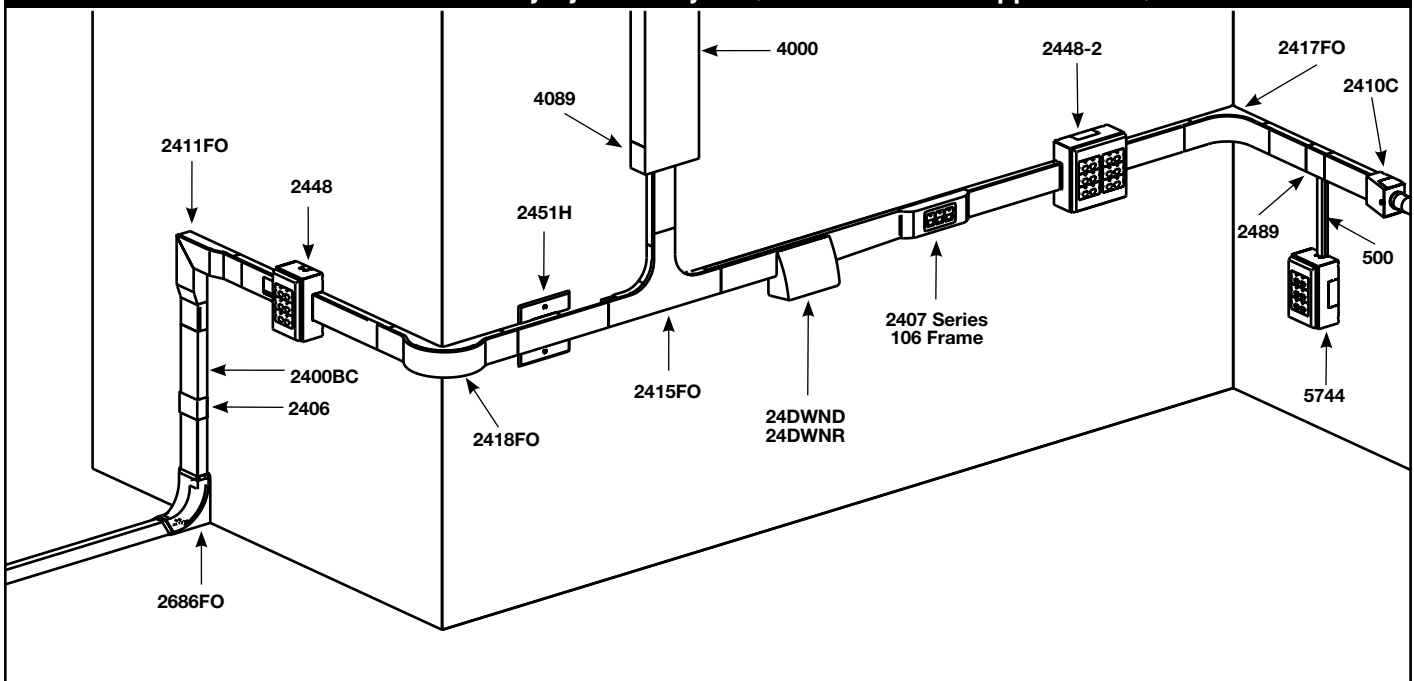
2400 Series Raceway shown with our new 2444D-2N Divided Device Box in a typical classroom application.

## 2400 Series Raceway System Layout (Power Applications)



**NOTE:** Illustration is for product applications and may not represent proper circuit wiring.  
Color prefix is not included in part number identification.

## 2400 Series Raceway System Layout (Communication Applications)

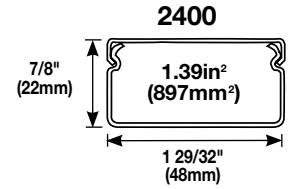


**NOTE:** Illustration is for product applications and may not represent proper circuit wiring.  
Color prefix is not included in part number identification.

## 2400 Series Raceway Wire Fill Capacity Charts

**2400 Raceway Wire Fill Capacities for Power\***

WIRE SIZE THHN/THWN	O.D. Inches (mm)		NUMBER OF CONDUCTORS (40% FILL)	
			WITHOUT DEVICES	WITH 2427 RECEPTACLE
14 AWG	0.111	(2.8)	57	12
12 AWG	0.130	(3.3)	41	9
10 AWG	0.164	(4.2)	26	-

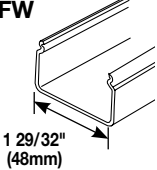
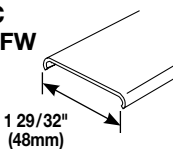
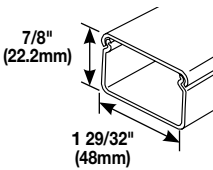
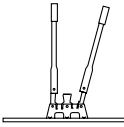
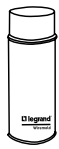



\*For additional information, refer to Technical Section in the current version of the Wiremold Catalog.

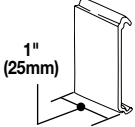
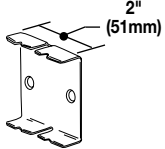
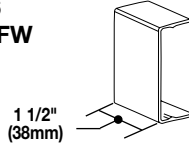
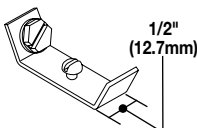
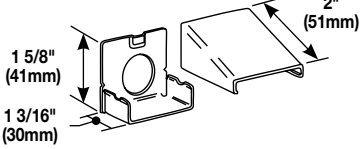
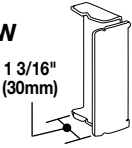
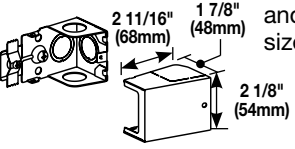
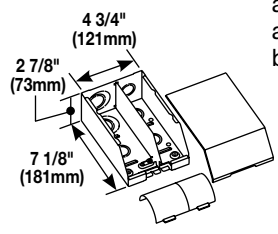
**2400 Raceway Wire Fill Capacities for Communications**

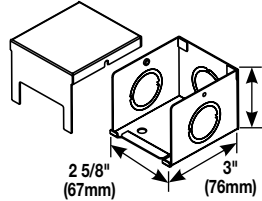
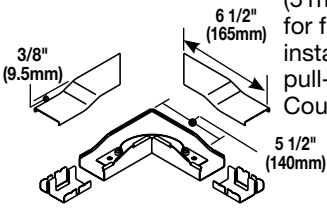
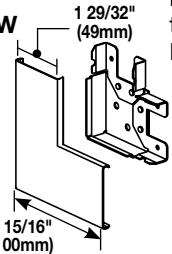
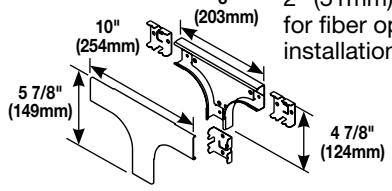
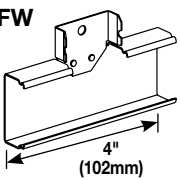
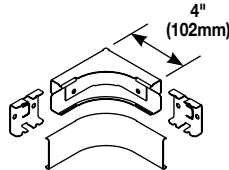
CABLE/WIRE SIZE	O.D. (Approx Dia.)		40% FILL**
	Inches	(mm)	
UNSHIELDED TWISTED PAIR	4-Pair, 24 AWG, Cat 3	0.190 (4.8)	19
	4-Pair, 24 AWG, Cat 5e	0.210 (5.3)	16
	4-Pair, 24 AWG, Cat 6	0.250 (6.3)	11
	4-Pair, 24 AWG, Cat 6a	0.354 (8.9)	5
	25-Pair, 24 AWG	0.410 (10.4)	4
COAXIAL	RG6/U	0.270 (6.9)	9
FIBER	ZipCord	0.118 x 0.236 (3 x 6)	20
	Round 4-Strand Fiber	0.187 (4.8)	20
	Round 6-Strand Fiber	0.256 (6.5)	10

### 2400 Series Raceway Base & Cover Ordering Information

Catalog No./Item	Description/Specifications	Catalog No./Item	Description/Specifications
<b>V2400B</b> <b>V2400B-10</b> <b>2400B-FW</b> <b>2400B-10FW</b>	<b>Raceway Base</b> – .040" (1.0mm) steel; packed twenty 5' (1.5m) lengths per carton, or ten 10' (3.0m) lengths per carton.	<b>V2400C</b> <b>2400C-FW</b>	<b>Raceway Cover</b> – .040" (1.0mm) steel; packed twenty 5' (1.5m) lengths per carton.
			
<b>V2400BC</b> <b>2400BC-FW</b>	<b>Raceway Base &amp; Cover</b> – .040" (1.0mm) steel. Packed ten 5' (1.5m) lengths of base and cover per carton.	<b>624</b>	<b>2400 Raceway Base &amp; Cover Cutter</b> – Portable cutter for 2400 & 2400D Series Raceway Base and Cover. Provides a clean and easy square cut every time.
			
<b>NOTE: "V" prefix indicates Ivory color, "-FW" suffix indicates Fog White color.</b>		<b>624BCK</b>	<b>Replacement Blade Kit</b> – Replacement blades and die set for 624 Cutter.
		<b>IWE-S</b> <b>DVWE-S</b>	<b>Spray Paint</b> – Used for touching up large areas. Available in Ivory (IWE-S) or Fog White (DVWE-S). Contains 12 oz. of paint.
			<b>NOTE: Can only be shipped via ground transportation.</b>
		<b>IWE-P</b> <b>DVWE-P</b>	<b>Touch-Up Paint Pen</b> – Used for touching up small areas. Available in Ivory (IWE-P) or Fog White (DVWE-P). Contains 0.3 oz. of paint.
			

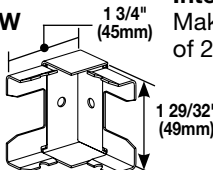
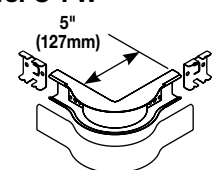
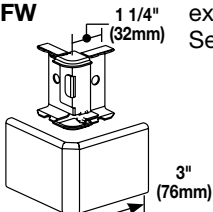
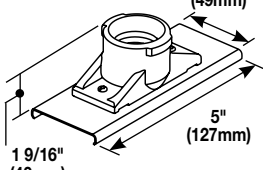
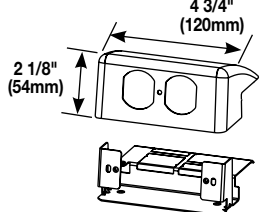
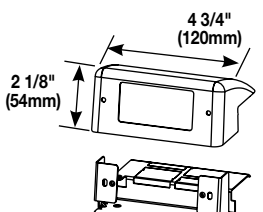
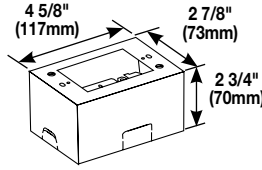
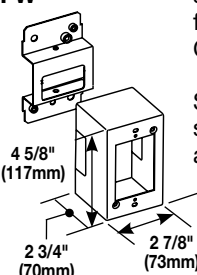
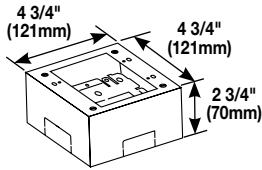
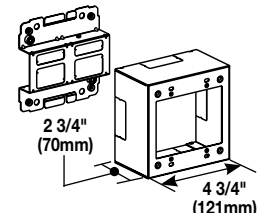
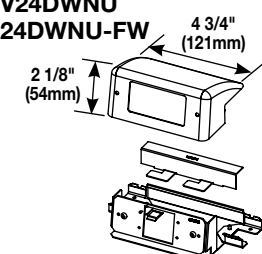
## 2400 Series Raceway Fittings Ordering Information

Catalog No./Item	Description/Specifications
<b>2400WC</b> 	<b>Wire Clip</b> – Additional support for conductors in 2400 Series Raceway. (Nonmetallic)
<b>2401</b> 	<b>Coupling</b> – Joins sections of 2400B Base.
<b>V2406</b> <b>2406-FW</b> 	<b>Cover Clip</b> – Covers joints where sections of 2400 Series Raceway cover or base come together. Nonmetallic construction.
<b>2409</b> 	<b>Ground Clamp</b> – Connects equipment grounding conductor to 2400 Series Raceway. No. 10 ground screw provided.
<b>V2410A</b> <b>2410A-FW</b> 	<b>Entrance End Fitting</b> – Connects 2400 Series Raceway with 1/2" trade size conduit or armored cable.
<b>V2410B</b> <b>2410B-FW</b> 	<b>Blank End Fitting</b> – Closes off open end of 2400 Series Raceway.
<b>V2410C</b> <b>2410-FW</b> 	<b>Entrance End Fitting</b> – Feeds 2400 Series Raceway. Includes 1/2" and 3/4" trade size KOs on end and bottom. Additional 1/2" trade size KO on both sides.
<b>V2410DFO</b> <b>2410DFO-FW</b> 	<b>Divided Entrance End Fitting</b> – Feeds 2400 & 2400D Series Raceway. Includes 1/2", 3/4", and 1" trade size KOs on back and end. Removable divider and bend radius control insert included.

Catalog No./Item	Description/Specifications
<b>V2410FC</b> <b>2410FC-FW</b> 	<b>Full Capacity Entrance End Fitting</b> – Feeds 2400 Series Raceway. Includes three 3/4" and 1" concentric trade size KOs.
<b>V2411FO</b> <b>2411FO-FW</b> 	<b>Radiused Flat Elbow</b> – 90° flat corner that provides 2" (51mm) cable bend radius control for fiber optic and UTP/STP cable installations. Ideal for lay-in or pull-through installations. Couplings included.
<b>V2411M</b> <b>2411M-FW</b> 	<b>Flat Elbow</b> – Makes right angle turns in runs of 2400 Series Raceway on same surface.
<b>V2415FO</b> <b>2415FO-FW</b> 	<b>Radiused Tee</b> – Branches at right angles. Provides a controlled 2" (51mm) cable bend radius control for fiber optic and UTP/STP cable installations. Couplings included.
<b>V2415M</b> <b>2415M-FW</b> 	<b>Tee</b> – Branches at right angles. Couplings included.
<b>V2417FO</b> <b>2417FO-FW</b> 	<b>Radiused Internal Elbow</b> – 90° internal corner. Provides a controlled 2" (51mm) cable bend radius control for fiber optic and UTP/STP cable installations. Couplings included.

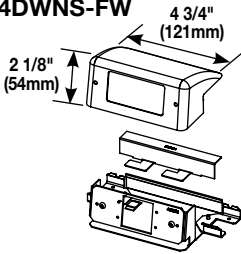
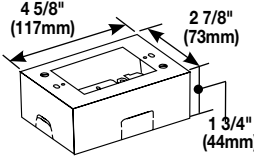
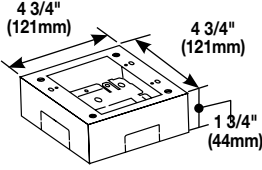
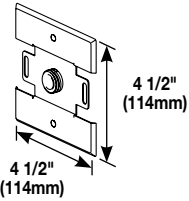
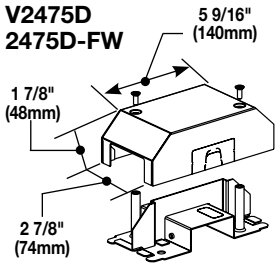
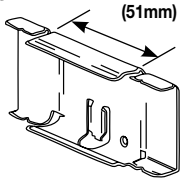
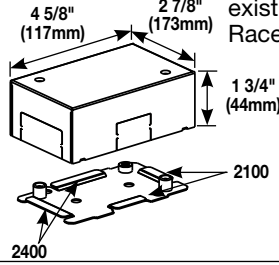
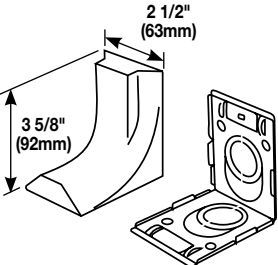
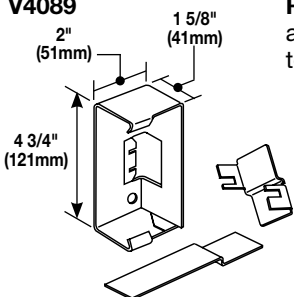
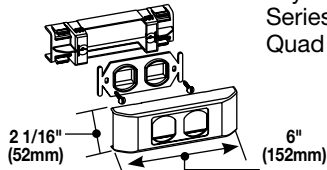
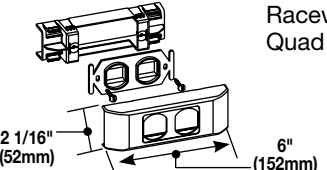
NOTE: "V" prefix indicates Ivory color, "-FW" suffix indicates Fog White color.

## 2400 Series Raceway Fittings Ordering Information (continued)

Catalog No./Item	Description/Specifications
<b>V2417M</b> <b>2417M-FW</b> 	<b>Internal Elbow –</b> Makes 90° internal corners in runs of 2400 Series Raceway.
<b>V2418FO</b> <b>2418FO-FW</b> 	<b>Radiused External Elbow –</b> 90° external elbow. Provides a controlled 2" (51mm) cable bend radius control for fiber optic and UTP/STP cable installations. Couplings included.
<b>V2418M</b> <b>2418M-FW</b> 	<b>External Elbow –</b> Makes 90° external corners in runs of 2400 Series Raceway.
<b>V2426</b> <b>2426-FW</b> 	<b>Lamp Holder –</b> Medium base lamp holder 660W, 250V. Black general purpose phenolic.
<b>V24DWND</b> <b>24DWND-FW</b> 	<b>Downward Duplex Device Bracket –</b> Labor saving, over-the-raceway device bracket. For 15A or 20A duplex receptacles or 106 style data frame in 2400 Series Raceway.
<b>V24DWNR</b> <b>24DWNR-FW</b> 	<b>Downward Decorator Device Bracket –</b> Labor saving over-the-raceway device bracket. For 15A or 20A decorator/GFCI receptacles or decorator style data frame in 2400 Series Raceway.
<b>V2444</b> <b>2444-FW</b> 	<b>Extra Deep Device Box –</b> One-gang device box has extra depth to permit installation of cabling that requires greater bend radius and storage. Cover has one twistout for 2400 Series Raceway on two sides and one twistout for 500 and 700 Series Raceway on the top and bottom. Accepts industry standard faceplates for electrical and communication devices.
<b>V2444D</b> <b>2444D-FW</b> 	<b>Device Box –</b> One-gang, labor saving, over-the-raceway box for use with 2400 Series Raceway. Cover has two twistouts for 2400 Series Raceway. Accepts industry standard faceplates for electrical and communication devices.
<b>V2444-2</b> <b>2444-2FW</b> 	<b>Extra Deep Device Box –</b> Two-gang device box has extra depth to permit installation of cabling that requires greater bend radius and storage. Cover has four twistouts for 2400 Series Raceway. Base includes knockout to enable extension from existing single-gang flush wall box and 1/2" and 1" concentric trade size KOs. Accepts industry standard faceplates for electrical and communication devices.
<b>V2444-2LS</b> <b>2444-2LSFW</b> 	<b>Device Box –</b> Two-gang, labor saving, over-the-raceway box for use with 2400 Series Raceway. Cover has four twistouts for 2400 Series Raceway. Accepts industry standard faceplates for electrical and communication devices.
<b>V24DWNU</b> <b>24DWNU-FW</b> 	<b>Downward Extron® MAAP Device Plate –</b> Accepts two Extron® Electronics MAAP single space modules.

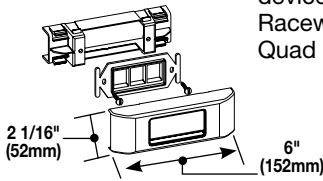
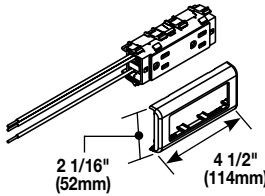
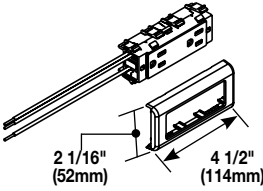
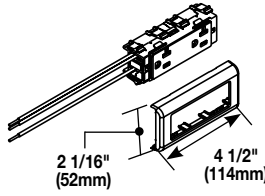
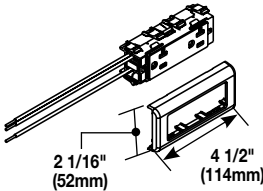
**NOTE:** "V" prefix indicates Ivory color, "-FW" suffix indicates Fog White color.

## 2400 Series Raceway Fittings Ordering Information (continued)

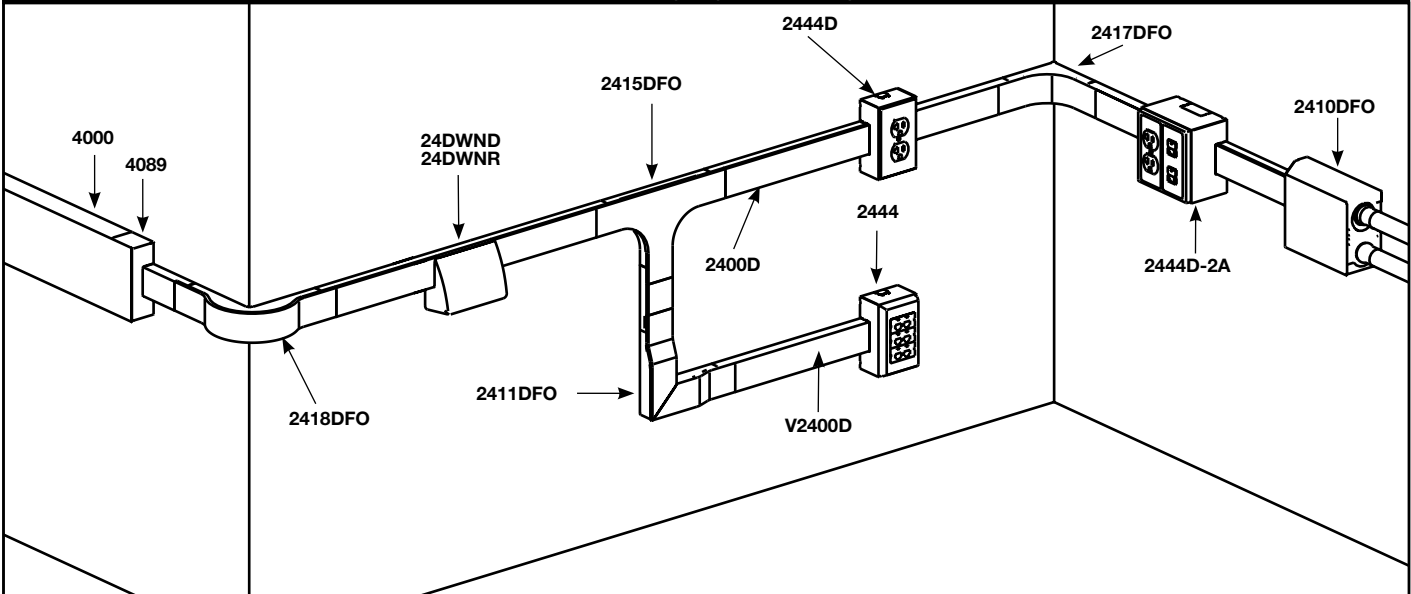
Catalog No./Item	Description/Specifications
<p><b>V24DWNS</b> <b>24DWNS-FW</b></p> 	<p><b>Downward Ortronics® Series II Device Plate</b> – Accepts one Ortronics® Series II module.</p>
<p><b>V2448</b> <b>2448-FW</b></p> 	<p><b>Device Box</b> – One-gang device box. Cover has one twistout for 2400 Series Raceway on two sides and one twistout for 500 and 700 Series Raceway on the top and bottom. Base includes knockout to enable extension from existing single-gang flush wall box and 1/2" trade size KOs. Accepts industry standard faceplates for electrical and communication devices.</p>
<p><b>V2448-2</b> <b>2448-2FW</b></p> 	<p><b>Device Box</b> – Two-gang device box. Cover has four (4) twistout for 2400 Series Raceway. Base includes knockout to enable extension from existing single-gang flush wall box and 1/2" trade size KOs. Accepts industry standard faceplates for electrical and communication devices.</p>
<p><b>V2451H</b> <b>2451H-FW</b></p> 	<p><b>Back Feed Fitting</b> – Feeds 2400 Series Raceway from an existing outlet box. Equipped with 1/2" trade size male bushing and lock nut washer for grounding.</p>
<p><b>V2475D</b> <b>2475D-FW</b></p> 	<p><b>Bridge Fitting</b> – Allows 2400 Series Raceway to bridge over existing installations of 2400, 500, or 700 Series Raceways.</p>
<p><b>V2489</b></p> 	<p><b>Side Reducing Connector</b> – Connects 2400 Series Raceway with 500 Series Raceway.</p>
<p><b>V2489TB</b></p> 	<p><b>Transition Box</b> – Connects existing installations of 2100 Series Raceway to 2400 Series Raceway.</p>
<p><b>2686FO</b></p> 	<p><b>Transition Feed Fitting</b> – Eliminates offsetting of 2400 Series Raceway in connecting with surface panel boxes. Has 3/4" and 1" concentric trade size KOs with 1" trade size KO elongated so adjustment from surface to center of bushing is 1" (25mm) minimum to 1 5/8" (41mm) maximum. Has twistouts for transition to 1500 and 2600 Series Pancake Raceways.</p>
<p><b>V4089</b></p> 	<p><b>Reducing Connector</b> – Reduces and connects 4000 Series Raceway to 2400 Series Raceway.</p>
<p><b>V2407-2CM</b> <b>2407-2CMFW</b></p> 	<p><b>106 Device Bracket and Frame</b> – Installs two network wiring keystone device modules in 2400 Series Raceway. Does not support Quad 106 Frame.</p>
<p><b>V2407-2TJ</b> <b>2407-2TJFW</b></p> 	<p><b>106 Device Bracket and Frame</b> – Installs two Ortronics TracJack device modules in 2400 Series Raceway. Does not support Quad 106 Frame.</p>

**NOTE:** "V" prefix indicates Ivory color, "-FW" suffix indicates Fog White color.

## 2400 Series Raceway Receptacles Ordering Information

Catalog No./Item	Description/Specifications	Catalog No./Item	Description/Specifications
<b>V2407-3TJ</b> <b>2407-3TJFW</b> 	<b>106 Device Bracket and Frame</b> – Installs three Ortronics TracJack device modules in 2400 Series Raceway. Does not support Quad 106 Frame.	<b>IG2427GA</b> 	<b>15A Isolated Ground Duplex Receptacle</b> – 3-Wire 125V NEMA 5-15R orange receptacle provided with 10-1/2" (267mm) pigtails and inline splice connectors.
<b>V2427GA</b> 	<b>15A Duplex Receptacle</b> – 3-Wire 125V NEMA 5-15R receptacle provided with 10-1/2" (267mm) pigtails and inline splice connectors.	<b>IG2427GT</b> 	<b>20A Isolated Ground Duplex Receptacle</b> – 3-Wire 125V NEMA 5-20R orange receptacle provided with 10-1/2" (267mm) pigtails and inline splice connectors.
<b>V2427GT</b> 	<b>20A Duplex Receptacle</b> – 3-Wire 125V NEMA 5-20R receptacle provided with 10-1/2" (267mm) pigtails and inline splice connectors.	<b>NOTE:</b> "V" prefix indicates Ivory color, "-FW" suffix indicates Fog White color.	

## 2400D Series Divided Raceway System Layout for Power & Data

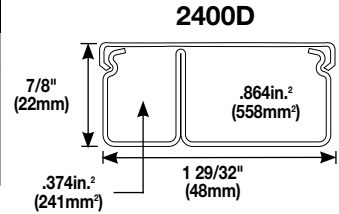


**NOTE:** Illustration is for product applications and may not represent proper circuit wiring.  
 Color prefix is not included in part number identification.

## 2400D Series Divided Raceway Wire Fill Capacities

### 2400D Series Divided Raceway Wire Fill Capacities for Power

WIRE SIZE THHN/THWN	O.D.		NUMBER OF CONDUCTORS (40% FILL)	
	Inches	(mm)	1/3 COMP.	2/3 COMP.
14 AWG	0.111	(2.8)	11	26
12 AWG	0.130	(3.3)	9	19
10 AWG	0.164	(4.2)	6	11

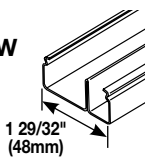
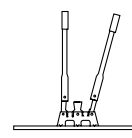
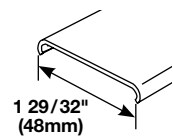
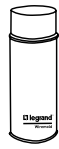



\*For additional information refer to Technical Section of Wiremold Product Guide.

### 2400D Series Divided Raceway Wire Fill Capacities for Communications

CABLE/WIRE SIZE		O.D. (Approx Dia.)		1/3 COMPARTMENT	2/3 COMPARTMENT
		Inches	(mm)	40% FILL	40% FILL**
UNSHIELDED TWISTED PAIR	4-Pair, 24 AWG, Cat 3	0.190	(4.8)	5	12
	4-Pair, 24 AWG, Cat 5e	0.210	(5.3)	4	9
	4-Pair, 24 AWG, Cat 6	0.250	(6.3)	3	7
	4-Pair, 24 AWG, Cat 6a	0.354	(8.9)	1	3
	25-Pair, 24 AWG	0.410	(10.4)	1	2
COAXIAL	RG6/U	0.270	(6.9)	2	6
FIBER	ZipCord	0.118 x 0.236	(3 x 6)	5	12
	Round 4-Strand Fiber	0.187	(4.8)	5	12
	Round 6-Strand Fiber	0.256	(6.5)	2	6

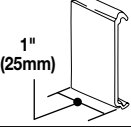
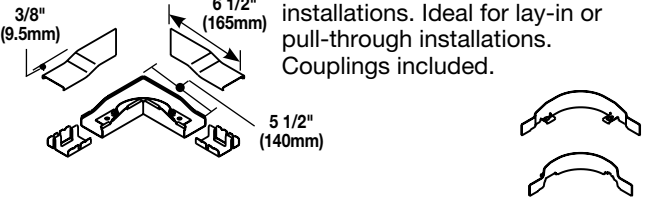
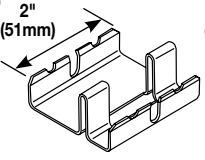
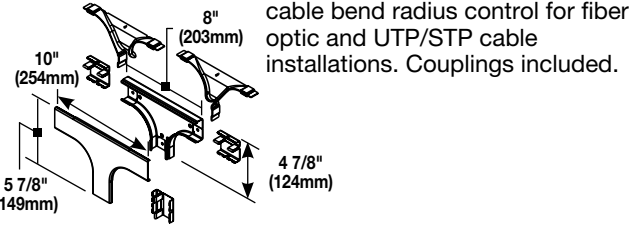
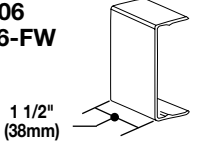
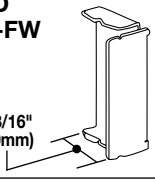
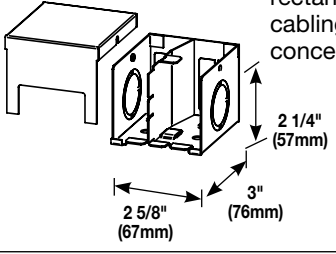
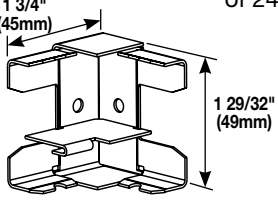
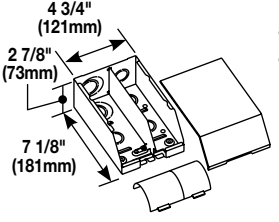
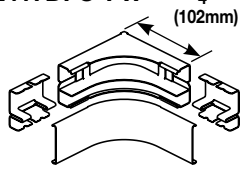
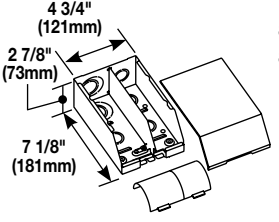
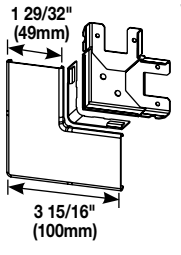
### 2400D Series Divided Raceway Base & Cover Ordering Information

Catalog No./Item	Description/Specifications	Catalog No./Item	Description/Specifications
<b>V2400BD</b> <b>2400BD-FW</b>	 <b>Divided Raceway Base</b> – .040" (1.0mm) steel; divided into 1/3 and 2/3 compartments. Packed ten 10' (3.0m) lengths per carton.	<b>624</b>	 <b>2400 Raceway Base &amp; Cover Cutter</b> – Portable cutter for 2400 & 2400D Series Raceway Base and Cover. Provides a clean and easy square cut every time.
<b>V2400C</b> <b>2400C-FW</b>	 <b>Raceway Cover</b> – .040" (1.0mm) steel; packed twenty 5' (1.5m) lengths per carton.	<b>624BCK</b>	<b>Replacement Blade Kit</b> – Replacement blades and die set for 624 Cutter.
		<b>IWE-S</b> <b>DVWE-S</b>	 <b>Spray Paint</b> – Used for touching up large areas. Available in Ivory (IWE-S) or Fog White (DVWE-S). Contains 12 oz. of paint. <b>NOTE: Can only be shipped via ground transportation.</b>
		<b>IWE-P</b> <b>DVWE-P</b>	 <b>Touch-Up Paint Pen</b> – Used for touching up small areas. Available in Ivory (IWE-P) or Fog White (DVWE-P). Contains 0.3 oz. of paint.

NOTE: "V" prefix indicates Ivory color, "-FW" suffix indicates Fog White color.

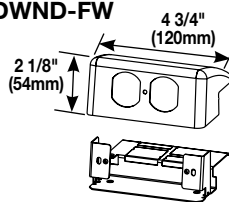
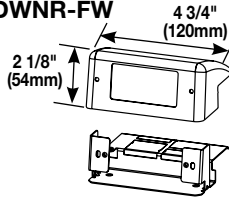
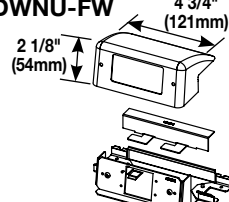
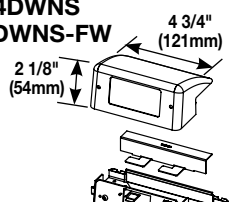
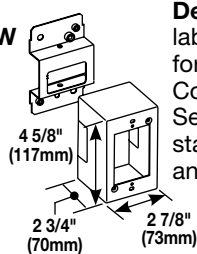
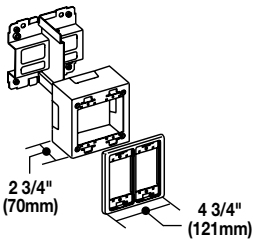


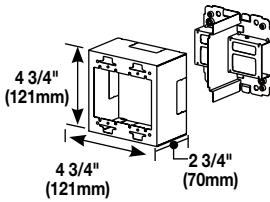
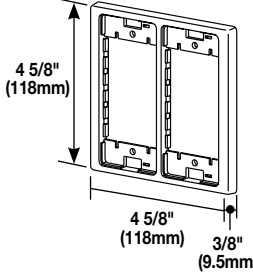
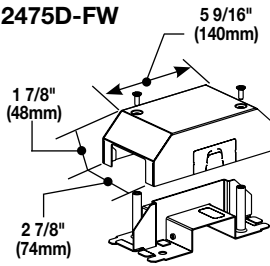
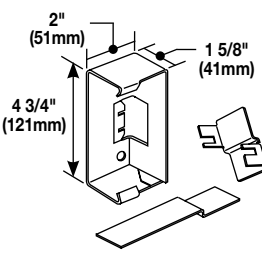
## 2400D Series Divided Raceway Fittings (continued)

Catalog No./Item	Description/Specifications	Catalog No./Item	Description/Specifications
<b>2400WC</b> 	<b>Wire Clip</b> – Additional support for conductors in 2400D Series Raceway. (Nonmetallic)	<b>V2411DFO</b> <b>2411DFO-FW</b> 	<b>Radiused Divided Flat Elbow</b> – 90° flat elbow with integral dividers to provide 2" (51mm) full capacity cable bend radius control for fiber optic and UTP/STP cable installations. Ideal for lay-in or pull-through installations. Couplings included.
<b>2401D</b> 	<b>Divided Coupling</b> – Joins sections of 2400DB Divided Base.	<b>V2415DFO</b> <b>2415DFO-FW</b> 	<b>Radiused Divided Tee</b> – For branches at right angles. Provides 2" (51mm) full capacity cable bend radius control for fiber optic and UTP/STP cable installations. Couplings included.
<b>V2406</b> <b>2406-FW</b> 	<b>Cover Clip</b> – Covers joints where sections of 2400 Series Raceway cover or base come together. Nonmetallic construction.	<b>V2410BD</b> <b>2410BD-FW</b> 	<b>Divided Blank End Fitting</b> – Closes off open end of 2400D Series Raceway.
<b>V2410D</b> <b>2410D-FW</b> 	<b>Divided Entrance End Fitting</b> – Feeds 2400D Series Raceway. Two 1/2" trade size KOs and two rectangular KOs for communication cabling. Two additional 1" and 3/4" concentric trade size KOs on sides.	<b>V2417D</b> <b>2417D-FW</b> 	<b>Divided Internal Elbow</b> – Makes internal 90° corners in runs of 2400D Series Raceway.
<b>V2410DFO</b> <b>2410DFO-FW</b> 	<b>Divided Entrance End Fitting</b> – Feeds 2400 & 2400D Series Raceway. Includes 1/2", 3/4", and 1" trade size KOs on back and end. Removable divider and bend radius control insert included.	<b>V2417DFO</b> <b>2417DFO-FW</b> 	<b>Radiused Divided Internal Elbow</b> – 90° internal corner. Provides a 2" (51mm) full capacity cable bend radius control for fiber optic and UTP/STP cable installations. Couplings included.
<b>V2411D</b> <b>2411D-FW</b> 	<b>Divided Flat Elbow</b> – Makes right angle turns in runs of 2400D Series Raceway on same surface.	<b>V2418DFO</b> <b>2418DFO-FW</b> 	<b>Radiused Divided External Elbow</b> – 90° external elbow. Provides a 2" (51mm) full capacity cable bend radius control for fiber optic and UTP/STP cable installations. Couplings included.

**NOTE:** "V" prefix indicates Ivory color, "-FW" suffix indicates Fog White color.

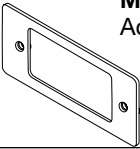
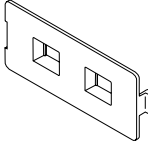
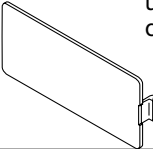
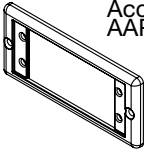
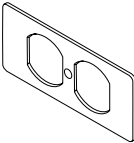
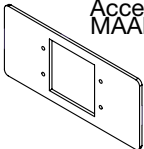
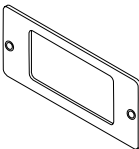
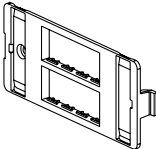
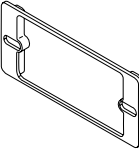
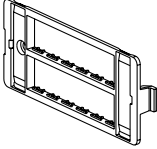
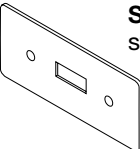
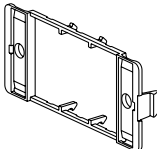
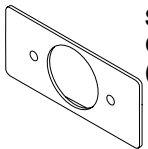

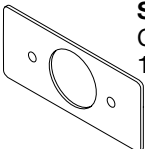
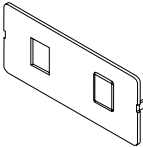
## 2400 Series Divided Raceway Fittings Ordering Information (continued)

Catalog No./Item	Description/Specifications
<b>V24DWND</b> <b>24DWND-FW</b> 	<b>Downward Duplex Device Bracket</b> – Labor saving over-the-raceway device bracket. For 15A or 20A duplex receptacles or 106 style data frame in 2400D Series Raceway.
<b>V24DWNR</b> <b>24DWNR-FW</b> 	<b>Downward Decorator Device Bracket</b> – For 15A and 20A decorator/GFCI receptacles or 106 style data frame in 2400D Series Raceway.
<b>V24DWNU</b> <b>24DWNU-FW</b> 	<b>Downward Extron® MAAP Device Plate</b> – Accepts two Extron® Electronics MAAP single space modules. Raceway base must be cut.
<b>V24DWNS</b> <b>24DWNS-FW</b> 	<b>Downward Ortronics® Series II Device Plate</b> – Accepts one Ortronics® Series II module. Raceway base must be cut.
<b>V2444D</b> <b>2444D-FW</b> 	<b>Device Box</b> – One-gang, labor saving, over-the-raceway box for use with 2400D Series Raceway. Cover has two twistouts for 2400D Series Raceway. Accepts industry standard faceplates for electrical and communication devices.
<b>V2444D-2A</b> <b>2444D-2AFW</b> 	<b>Divided Device Box</b> – Divided two-gang, labor saving, over-the-raceway box for use with 2400D Series Raceway. Provides the ability to have both power and low voltage at a single point-of-use. Accepts 5507 Series Faceplates, Ortronics® TracJack & Series II Modules (requires S2-EPL Plate), Pass & Seymour Activate Series Inserts (requires CM-EPLA Plate) and Wiremold CM2 Series Open System Communication Modules (requires CM-EPLA Plate).

Catalog No./Item	Description/Specifications
<b>V2444D-2N</b> <b>2444D-2NFW</b> 	<b>Divided Box</b> – Labor savings over-the-raceway box. A divided two-gang box for use with 2400D Series Raceway. Allows both power and low voltage at a single point-of-use. For use with commercially available faceplates (not supplied).
<b>V2450</b> <b>2450-FW</b> 	<b>Device Bracket</b> – For use with 2444D-2N for both power and low voltage at a single point of use. Accepts 5507 Series Faceplates, Ortronics® TracJack & Series II Modules (requires S2-EPL Plate), Pass & Seymour Activate Series Inserts (requires CM-EPLA Plate) and Wiremold CM2 Series Open System Communication Modules (requires CM-EPLA Plate).
<b>V2475D</b> <b>2475D-FW</b> 	<b>Bridge Fitting</b> – For allowing 2400D Series Raceway to bridge over existing installations of 2400, 2400D, 500, and 700 Series Raceways.
<b>V4089</b> 	<b>Reducing Connector</b> – For reducing from 4000 Series Raceway to 2400D Series Raceway.

**NOTE:** “V” prefix indicates Ivory color, “-FW” suffix indicates Fog White color.

## 5507 Series Faceplates Ordering Information

Catalog No./Item	Description/Specifications	Catalog No./Item	Description/Specifications
5507AD 5507AD-FW	<b>Modular Furniture Adapter</b> – Accepts modular furniture adapters. 	5507FRJ 5507FRJ-FW	<b>Flush Dual RJ11/RJ45 Faceplate</b> – Mounts one or two keystone device modules, recessed to provide a flush installation. Has one opening and a KO for the other. 
5507B 5507B-FW	<b>Blank Faceplate</b> – Covers unused compartments in the device bracket. 	5507AAP 5507AAP-FW	<b>Extron® AAP Faceplate</b> – Accepts two Extron® Electronics AAP single space modules. 
5507D 5507D-FW	<b>Duplex Faceplate</b> – Covers duplex style devices. Accepts 106 Frame. 	5507MAAP 5507MAAP-FW	<b>Extron® MAAP Faceplate</b> – Accepts four Extron® Electronics MAAP single space modules. 
5507R 5507R-FW	<b>Rectangular Faceplate</b> – Covers rectangular style devices. 	5507-4TJ 5507-4TJFW	<b>Ortronics® Faceplate</b> – Mounts Ortronics® communication inserts. Accepts four TracJack Devices. 
5507S	<b>Rectangular Spacer</b> – Mounts commercial device plates. Installs between the device bracket and a device. 	5507-6TJ 5507-6TJFW	<b>Ortronics® Faceplate</b> – Mounts Ortronics® communication inserts. Accepts six TracJack Devices. 
5507SW 5507SW-FW	<b>Switch Faceplate</b> – Covers standard toggle switches. 	CM-EPLA CM-EPLA-FW	<b>End Plates</b> – Mounts three Pass & Seymour® Activate and Wiremold CM2 Series Open System communication modules into 5507 Series Faceplates. Includes two outlet identification labels with clear covers and two matching screw covers. 
5507T1 5507T1-FW	<b>Single Receptacle Faceplate</b> – Covers single receptacles – 1.59" (40.4mm) diameter. 	S2-EPL S2-EPL-FW	<b>End Plates</b> – Mounts Ortronics® Series II modules into 5507 Series Faceplates. Includes two outlet identification labels with clear covers and two matching screw covers. 
5507T2 5507T2-FW	<b>Single Receptacle Faceplate</b> – Covers single receptacles – 1.41" (35.8mm) diameter. 	5507RJ 5507RJ-FW	<b>Dual RJ11/RJ45 Connector Faceplate</b> – Mounts one or two keystone device modules, has one opening and a KO for the other. 

**NOTE:** All faceplates have a standard measurement of 4 1/4" x 1 7/8" (108mm x 34mm). Part number without prefix indicates Ivory color, "-FW" suffix indicates Fog White color.

# NOTES



**Electrical Wiring Systems**

60 Woodlawn Street  
West Hartford, CT 06110  
Phone: 1.877.BY.LEGRAND (295-3472)  
[www.legrand.us](http://www.legrand.us)

570 Applewood Crescent  
Vaughan, Ontario L4K 4B4  
Phone: 905.738.9195  
[www.legrand.ca](http://www.legrand.ca)

**ED874R21 – Updated January 2016 – For latest specs visit [www.legrand.us/wiremold](http://www.legrand.us/wiremold)**

© Copyright 2016 Legrand All Rights Reserved



### Low Profile, Single & Dual Channel Steel Raceway

2400® Series Raceway is a single compartment raceway designed for communication or power applications and ideal for use in classrooms, offices, and hotel applications, or anywhere a small low profile raceway is needed.

2400D® Series Divided Raceway is a low profile steel raceway for use where a limited number of power and low voltage cables are required in the same raceway.

2400 Series Raceway shown with our new Downward Facing Receptacles in a typical school library application.



#### FEATURES & BENEFITS

- **Steel raceway.** Provides superior strength for any dry location.
- **Single- and dual-compartment attractive low profile raceway design.** Provides functionality and flexibility with aesthetics for single or dual service applications.
- **Downward facing activations.** Streamlines the raceway appearance and provides increased protection for both activations and cabling.
- **ScuffCoat™ finish.** Tough durable ScuffCoat finish makes a scratch-resistant surface that can be painted.
- **Complete line of fittings.** Provides complete wiring solution and allows for interconnection between raceway systems.
- **Removable cover.** Allows easy access to wiring for changes and additions.
- **One- and two-gang device boxes.** Now you can wire devices into the raceway system, making 2400 Series Raceway an excellent choice for communication wiring.
- **Over the raceway boxes.** Provides tremendous labor savings. Boxes mount over continuous run of raceway base eliminating the need to cut raceway when locating devices.
- **Bend radius control fittings.** Corner and tee fittings are UL verified to maintain full capacity 2" (51mm) bend radius control and exceed the recommendations of EIA/TIA 569A. These fittings provide cable protection in both lay-in and pull-through cable installations.
- **V2475D Bridge Fitting.** Provides ability to bridge 2400 Series Raceways over existing installations of 2400, 700, and 500 Series Raceways.
- **In-line field-configurable receptacles.** Receptacles can be installed at any point along the raceway without a box.
- **In-line 106 frame data outlet.** A wide variety of data modules can be installed anywhere along the raceway run without a box.
- **Communication connectivity options.** Accepts industry standard and proprietary devices from a wide range of manufacturers to provide a seamless and aesthetically pleasing interface for voice, data, audio, and video applications at the point of use.
- **UL and cUL Listed component raceways.** File E4376 Guide RJBT, Fittings: File E41751 Guide RJPR. Meets Article 386 of NEC and meets Section 12-600 of CEC.



Download this product's PEP ecopassport® environmental product declaration at [www.legrand.us/resources-and-downloads](http://www.legrand.us/resources-and-downloads). This declaration conforms with ISO 14025 and 14040 and is in alignment with EN 15804.

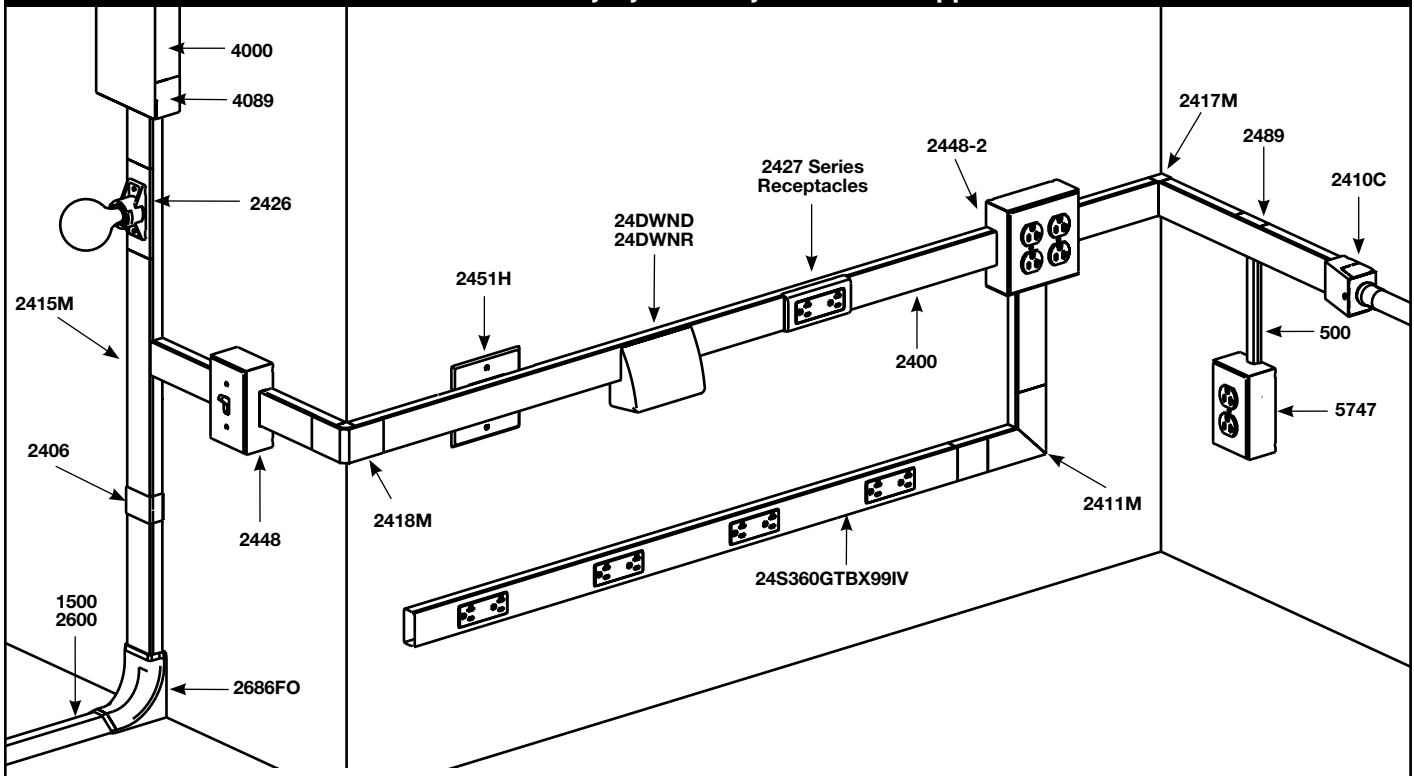


24DWNR Downward Facing Activation shown in a security application.



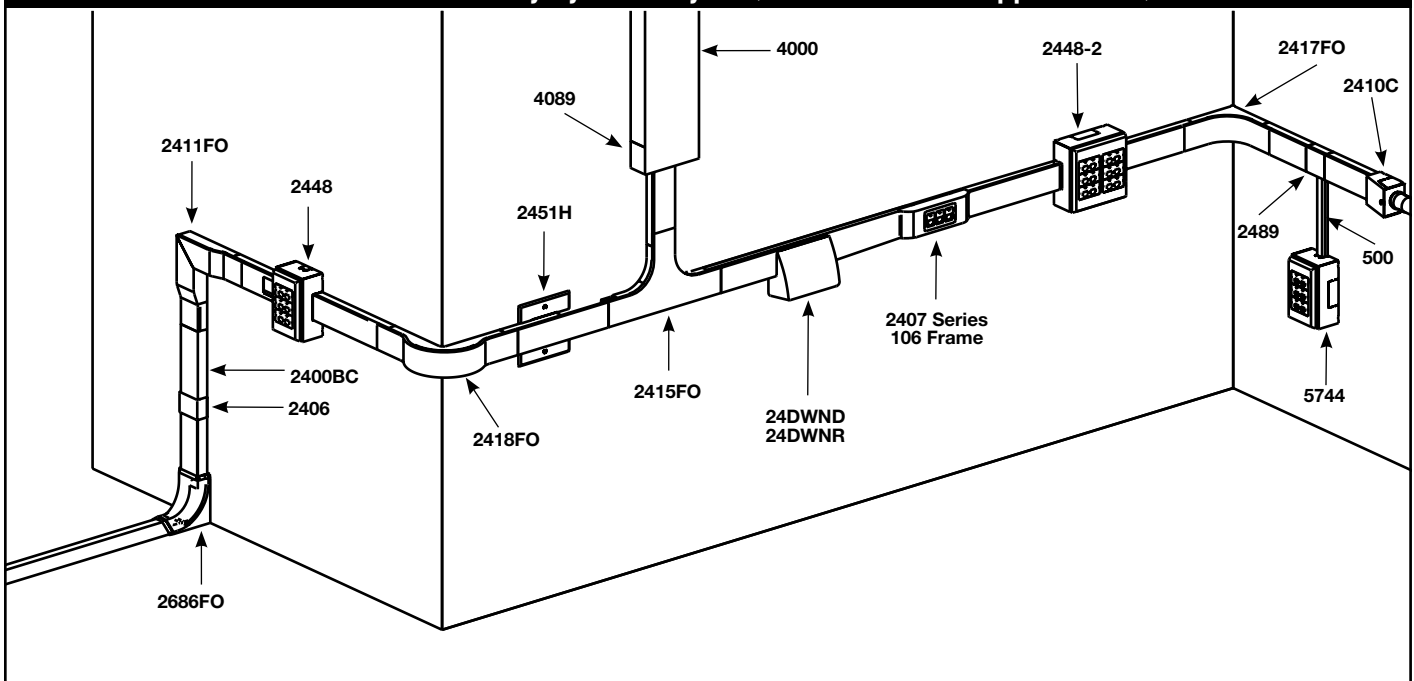
2400 Series Raceway shown with our new 2444D-2N Divided Device Box in a typical classroom application.

## 2400 Series Raceway System Layout (Power Applications)



NOTE: Illustration is for product applications and may not represent proper circuit wiring.  
Color prefix is not included in part number identification.

## 2400 Series Raceway System Layout (Communication Applications)

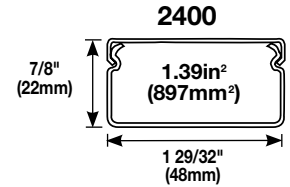


NOTE: Illustration is for product applications and may not represent proper circuit wiring.  
Color prefix is not included in part number identification.

## 2400 Series Raceway Wire Fill Capacity Charts

**2400 Raceway Wire Fill Capacities for Power\***

WIRE SIZE THHN/THWN	O.D. Inches (mm)		NUMBER OF CONDUCTORS (40% FILL)	
			WITHOUT DEVICES	WITH 2427 RECEPTACLE
14 AWG	0.111	(2.8)	57	12
12 AWG	0.130	(3.3)	41	9
10 AWG	0.164	(4.2)	26	-

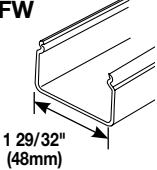
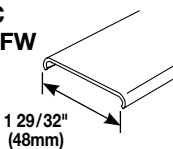
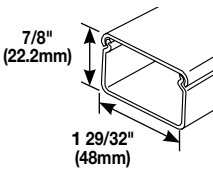
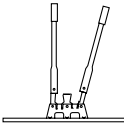
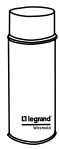



\*For additional information, refer to Technical Section in the current version of the Wiremold Catalog.

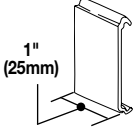
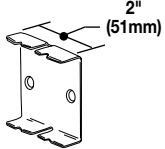
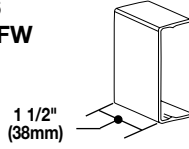
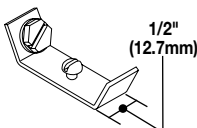
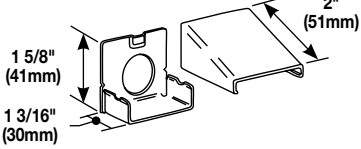
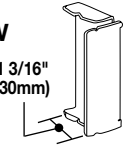
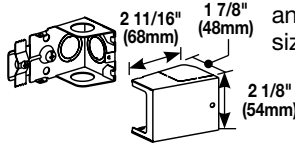
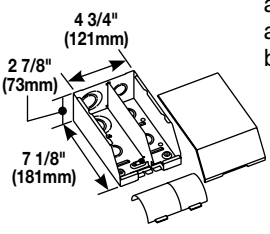
**2400 Raceway Wire Fill Capacities for Communications**

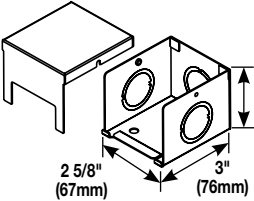
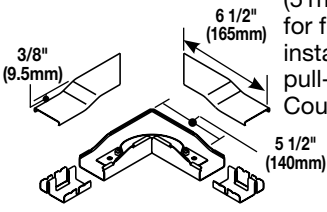
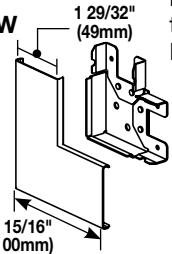
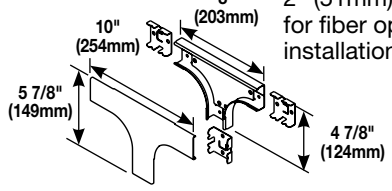
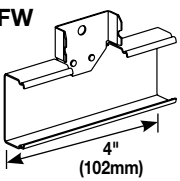
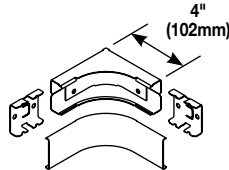
CABLE/WIRE SIZE	O.D. (Approx Dia.)		40% FILL**
	Inches	(mm)	
UNSHIELDED TWISTED PAIR	4-Pair, 24 AWG, Cat 3	0.190 (4.8)	19
	4-Pair, 24 AWG, Cat 5e	0.210 (5.3)	16
	4-Pair, 24 AWG, Cat 6	0.250 (6.3)	11
	4-Pair, 24 AWG, Cat 6a	0.354 (8.9)	5
	25-Pair, 24 AWG	0.410 (10.4)	4
COAXIAL	RG6/U	0.270 (6.9)	9
FIBER	ZipCord	0.118 x 0.236 (3 x 6)	20
	Round 4-Strand Fiber	0.187 (4.8)	20
	Round 6-Strand Fiber	0.256 (6.5)	10

### 2400 Series Raceway Base & Cover Ordering Information

Catalog No./Item	Description/Specifications	Catalog No./Item	Description/Specifications
<b>V2400B</b> <b>V2400B-10</b> <b>2400B-FW</b> <b>2400B-10FW</b>	<b>Raceway Base</b> – .040" (1.0mm) steel; packed twenty 5' (1.5m) lengths per carton, or ten 10' (3.0m) lengths per carton.	<b>V2400C</b> <b>2400C-FW</b>	<b>Raceway Cover</b> – .040" (1.0mm) steel; packed twenty 5' (1.5m) lengths per carton.
			
<b>V2400BC</b> <b>2400BC-FW</b>	<b>Raceway Base &amp; Cover</b> – .040" (1.0mm) steel. Packed ten 5' (1.5m) lengths of base and cover per carton.	<b>624</b>	<b>2400 Raceway Base &amp; Cover Cutter</b> – Portable cutter for 2400 & 2400D Series Raceway Base and Cover. Provides a clean and easy square cut every time.
			
<b>NOTE: "V" prefix indicates Ivory color, "-FW" suffix indicates Fog White color.</b>		<b>624BCK</b>	<b>Replacement Blade Kit</b> – Replacement blades and die set for 624 Cutter.
		<b>IWE-S</b> <b>DVWE-S</b>	<b>Spray Paint</b> – Used for touching up large areas. Available in Ivory (IWE-S) or Fog White (DVWE-S). Contains 12 oz. of paint.
			<b>NOTE: Can only be shipped via ground transportation.</b>
		<b>IWE-P</b> <b>DVWE-P</b>	<b>Touch-Up Paint Pen</b> – Used for touching up small areas. Available in Ivory (IWE-P) or Fog White (DVWE-P). Contains 0.3 oz. of paint.
			

## 2400 Series Raceway Fittings Ordering Information

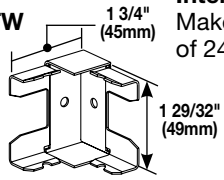
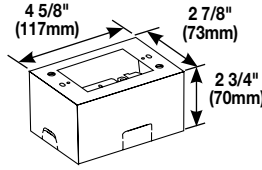
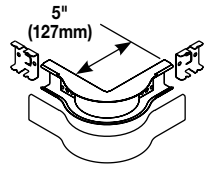
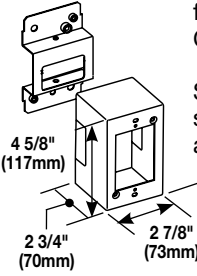
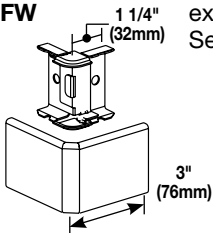
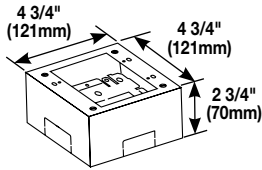
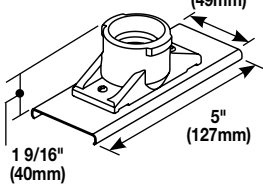
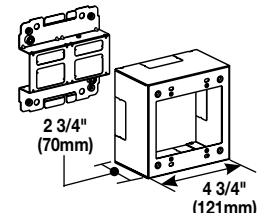
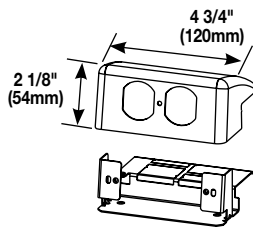
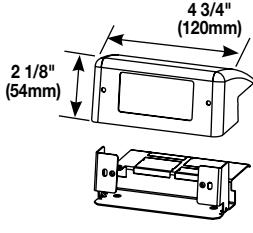
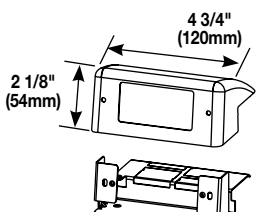
Catalog No./Item	Description/Specifications
<b>2400WC</b> 	<b>Wire Clip</b> – Additional support for conductors in 2400 Series Raceway. (Nonmetallic)
<b>2401</b> 	<b>Coupling</b> – Joins sections of 2400B Base.
<b>V2406</b> <b>2406-FW</b> 	<b>Cover Clip</b> – Covers joints where sections of 2400 Series Raceway cover or base come together. Nonmetallic construction.
<b>2409</b> 	<b>Ground Clamp</b> – Connects equipment grounding conductor to 2400 Series Raceway. No. 10 ground screw provided.
<b>V2410A</b> <b>2410A-FW</b> 	<b>Entrance End Fitting</b> – Connects 2400 Series Raceway with 1/2" trade size conduit or armored cable.
<b>V2410B</b> <b>2410B-FW</b> 	<b>Blank End Fitting</b> – Closes off open end of 2400 Series Raceway.
<b>V2410C</b> <b>2410-FW</b> 	<b>Entrance End Fitting</b> – Feeds 2400 Series Raceway. Includes 1/2" and 3/4" trade size KOs on end and bottom. Additional 1/2" trade size KO on both sides.
<b>V2410DFO</b> <b>2410DFO-FW</b> 	<b>Divided Entrance End Fitting</b> – Feeds 2400 & 2400D Series Raceway. Includes 1/2", 3/4", and 1" trade size KOs on back and end. Removable divider and bend radius control insert included.

Catalog No./Item	Description/Specifications
<b>V2410FC</b> <b>2410FC-FW</b> 	<b>Full Capacity Entrance End Fitting</b> – Feeds 2400 Series Raceway. Includes three 3/4" and 1" concentric trade size KOs.
<b>V2411FO</b> <b>2411FO-FW</b> 	<b>Radiused Flat Elbow</b> – 90° flat corner that provides 2" (51mm) cable bend radius control for fiber optic and UTP/STP cable installations. Ideal for lay-in or pull-through installations. Couplings included.
<b>V2411M</b> <b>2411M-FW</b> 	<b>Flat Elbow</b> – Makes right angle turns in runs of 2400 Series Raceway on same surface.
<b>V2415FO</b> <b>2415FO-FW</b> 	<b>Radiused Tee</b> – Branches at right angles. Provides a controlled 2" (51mm) cable bend radius control for fiber optic and UTP/STP cable installations. Couplings included.
<b>V2415M</b> <b>2415M-FW</b> 	<b>Tee</b> – Branches at right angles. Couplings included.
<b>V2417FO</b> <b>2417FO-FW</b> 	<b>Radiused Internal Elbow</b> – 90° internal corner. Provides a controlled 2" (51mm) cable bend radius control for fiber optic and UTP/STP cable installations. Couplings included.

NOTE: "V" prefix indicates Ivory color, "-FW" suffix indicates Fog White color.

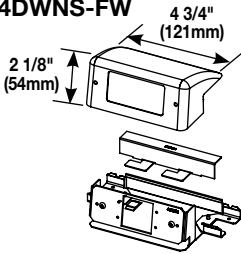
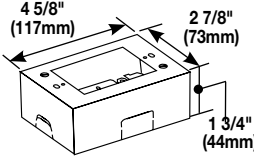
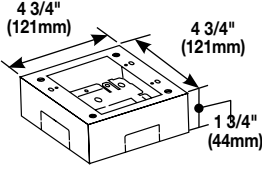
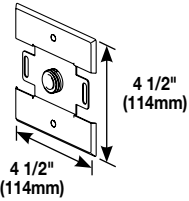
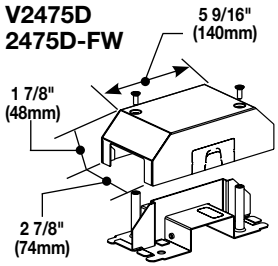
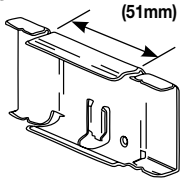
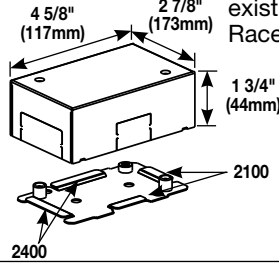
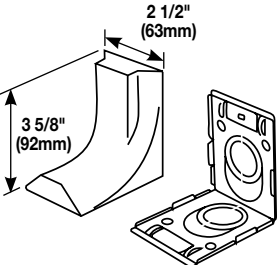
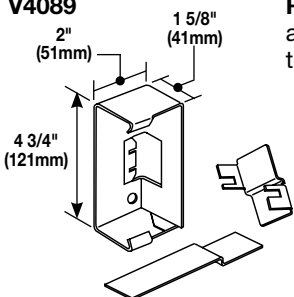
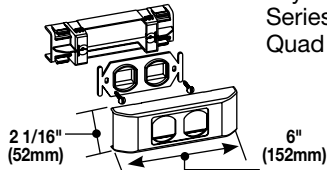
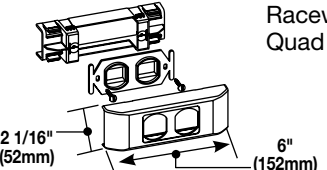


## 2400 Series Raceway Fittings Ordering Information (continued)

Catalog No./Item	Description/Specifications	Catalog No./Item	Description/Specifications
<b>V2417M</b> <b>2417M-FW</b> 	<b>Internal Elbow –</b> Makes 90° internal corners in runs of 2400 Series Raceway.	<b>V2444</b> <b>2444-FW</b> 	<b>Extra Deep Device Box –</b> One-gang device box has extra depth to permit installation of cabling that requires greater bend radius and storage. Cover has one twistout for 2400 Series Raceway on two sides and one twistout for 500 and 700 Series Raceway on the top and bottom. Accepts industry standard faceplates for electrical and communication devices.
<b>V2418FO</b> <b>2418FO-FW</b> 	<b>Radiused External Elbow –</b> 90° external elbow. Provides a controlled 2" (51mm) cable bend radius control for fiber optic and UTP/STP cable installations. Couplings included.	<b>V2444D</b> <b>2444D-FW</b> 	<b>Device Box –</b> One-gang, labor saving, over-the-raceway box for use with 2400 Series Raceway. Cover has two twistouts for 2400 Series Raceway. Accepts industry standard faceplates for electrical and communication devices.
<b>V2418M</b> <b>2418M-FW</b> 	<b>External Elbow –</b> Makes 90° external corners in runs of 2400 Series Raceway.	<b>V2444-2</b> <b>2444-2FW</b> 	<b>Extra Deep Device Box –</b> Two-gang device box has extra depth to permit installation of cabling that requires greater bend radius and storage. Cover has four twistouts for 2400 Series Raceway. Base includes knockout to enable extension from existing single-gang flush wall box and 1/2" and 1" concentric trade size KOs. Accepts industry standard faceplates for electrical and communication devices.
<b>V2426</b> <b>2426-FW</b> 	<b>Lamp Holder –</b> Medium base lamp holder 660W, 250V. Black general purpose phenolic.	<b>V2444-2LS</b> <b>2444-2LSFW</b> 	<b>Device Box –</b> Two-gang, labor saving, over-the-raceway box for use with 2400 Series Raceway. Cover has four twistouts for 2400 Series Raceway. Accepts industry standard faceplates for electrical and communication devices.
<b>V24DWND</b> <b>24DWND-FW</b> 	<b>Downward Duplex Device Bracket –</b> Labor saving, over-the-raceway device bracket. For 15A or 20A duplex receptacles or 106 style data frame in 2400 Series Raceway.	<b>V24DWNR</b> <b>24DWNR-FW</b> 	<b>Downward Decorator Device Bracket –</b> Labor saving over-the-raceway device bracket. For 15A or 20A decorator/GFCI receptacles or decorator style data frame in 2400 Series Raceway.
<b>V24DWNU</b> <b>24DWNU-FW</b> 	<b>Downward Extron® MAAP Device Plate –</b> Accepts two Extron® Electronics MAAP single space modules.		

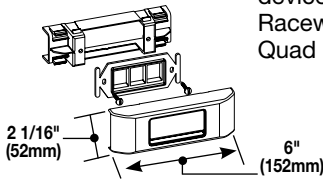
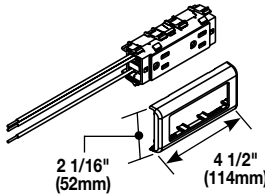
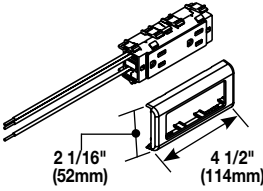
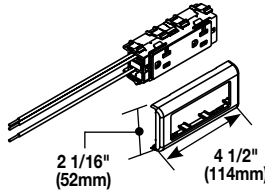
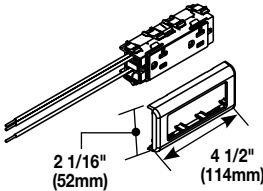
**NOTE:** "V" prefix indicates Ivory color, "-FW" suffix indicates Fog White color.

## 2400 Series Raceway Fittings Ordering Information (continued)

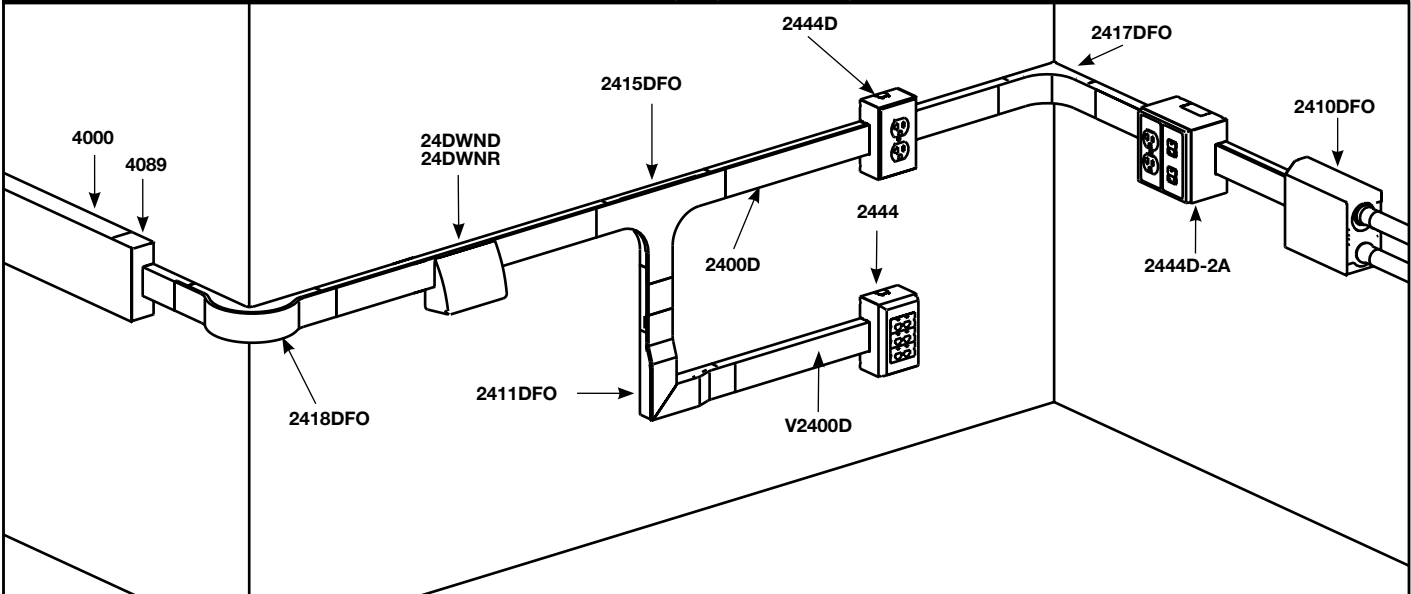
Catalog No./Item	Description/Specifications
<p><b>V24DWNS</b> <b>24DWNS-FW</b></p> 	<p><b>Downward Ortronics® Series II Device Plate</b> – Accepts one Ortronics® Series II module.</p>
<p><b>V2448</b> <b>2448-FW</b></p> 	<p><b>Device Box</b> – One-gang device box. Cover has one twistout for 2400 Series Raceway on two sides and one twistout for 500 and 700 Series Raceway on the top and bottom. Base includes knockout to enable extension from existing single-gang flush wall box and 1/2" trade size KOs. Accepts industry standard faceplates for electrical and communication devices.</p>
<p><b>V2448-2</b> <b>2448-2FW</b></p> 	<p><b>Device Box</b> – Two-gang device box. Cover has four (4) twistout for 2400 Series Raceway. Base includes knockout to enable extension from existing single-gang flush wall box and 1/2" trade size KOs. Accepts industry standard faceplates for electrical and communication devices.</p>
<p><b>V2451H</b> <b>2451H-FW</b></p> 	<p><b>Back Feed Fitting</b> – Feeds 2400 Series Raceway from an existing outlet box. Equipped with 1/2" trade size male bushing and lock nut washer for grounding.</p>
<p><b>V2475D</b> <b>2475D-FW</b></p> 	<p><b>Bridge Fitting</b> – Allows 2400 Series Raceway to bridge over existing installations of 2400, 500, or 700 Series Raceways.</p>
<p><b>V2489</b></p> 	<p><b>Side Reducing Connector</b> – Connects 2400 Series Raceway with 500 Series Raceway.</p>
<p><b>V2489TB</b></p> 	<p><b>Transition Box</b> – Connects existing installations of 2100 Series Raceway to 2400 Series Raceway.</p>
<p><b>2686FO</b></p> 	<p><b>Transition Feed Fitting</b> – Eliminates offsetting of 2400 Series Raceway in connecting with surface panel boxes. Has 3/4" and 1" concentric trade size KOs with 1" trade size KO elongated so adjustment from surface to center of bushing is 1" (25mm) minimum to 1 5/8" (41mm) maximum. Has twistouts for transition to 1500 and 2600 Series Pancake Raceways.</p>
<p><b>V4089</b></p> 	<p><b>Reducing Connector</b> – Reduces and connects 4000 Series Raceway to 2400 Series Raceway.</p>
<p><b>V2407-2CM</b> <b>2407-2CMFW</b></p> 	<p><b>106 Device Bracket and Frame</b> – Installs two network wiring keystone device modules in 2400 Series Raceway. Does not support Quad 106 Frame.</p>
<p><b>V2407-2TJ</b> <b>2407-2TJFW</b></p> 	<p><b>106 Device Bracket and Frame</b> – Installs two Ortronics TracJack device modules in 2400 Series Raceway. Does not support Quad 106 Frame.</p>

**NOTE:** "V" prefix indicates Ivory color, "-FW" suffix indicates Fog White color.

## 2400 Series Raceway Receptacles Ordering Information

Catalog No./Item	Description/Specifications	Catalog No./Item	Description/Specifications
<b>V2407-3TJ</b> <b>2407-3TJFW</b> 	<b>106 Device Bracket and Frame</b> – Installs three Ortronics TracJack device modules in 2400 Series Raceway. Does not support Quad 106 Frame.	<b>IG2427GA</b> 	<b>15A Isolated Ground Duplex Receptacle</b> – 3-Wire 125V NEMA 5-15R orange receptacle provided with 10-1/2" (267mm) pigtails and inline splice connectors.
<b>V2427GA</b> 	<b>15A Duplex Receptacle</b> – 3-Wire 125V NEMA 5-15R receptacle provided with 10-1/2" (267mm) pigtails and inline splice connectors.	<b>IG2427GT</b> 	<b>20A Isolated Ground Duplex Receptacle</b> – 3-Wire 125V NEMA 5-20R orange receptacle provided with 10-1/2" (267mm) pigtails and inline splice connectors.
<b>V2427GT</b> 	<b>20A Duplex Receptacle</b> – 3-Wire 125V NEMA 5-20R receptacle provided with 10-1/2" (267mm) pigtails and inline splice connectors.	<b>NOTE:</b> "V" prefix indicates Ivory color, "-FW" suffix indicates Fog White color.	

## 2400D Series Divided Raceway System Layout for Power & Data

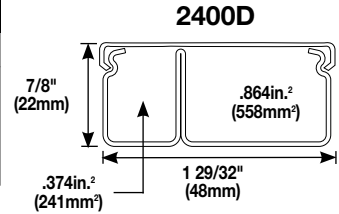


**NOTE:** Illustration is for product applications and may not represent proper circuit wiring.  
 Color prefix is not included in part number identification.

## 2400D Series Divided Raceway Wire Fill Capacities

### 2400D Series Divided Raceway Wire Fill Capacities for Power

WIRE SIZE THHN/THWN	O.D.		NUMBER OF CONDUCTORS (40% FILL)	
	Inches	(mm)	1/3 COMP.	2/3 COMP.
14 AWG	0.111	(2.8)	11	26
12 AWG	0.130	(3.3)	9	19
10 AWG	0.164	(4.2)	6	11

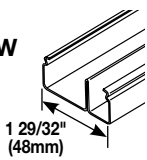
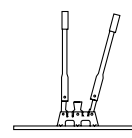
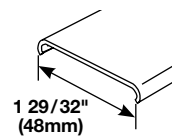
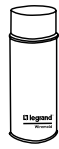



\*For additional information refer to Technical Section of Wiremold Product Guide.

### 2400D Series Divided Raceway Wire Fill Capacities for Communications

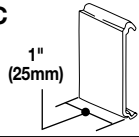
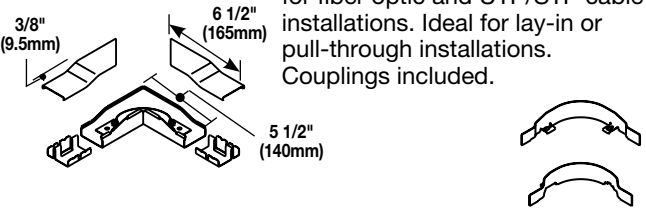
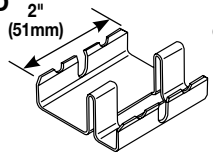
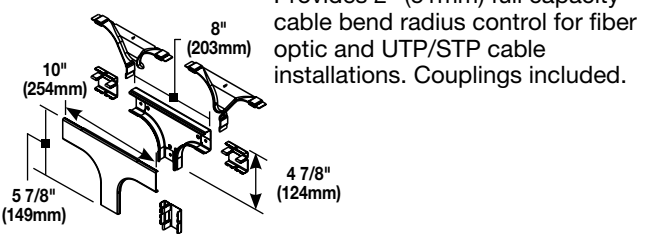
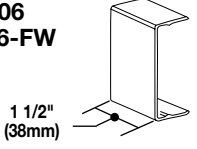
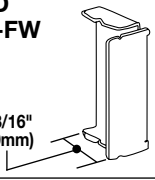
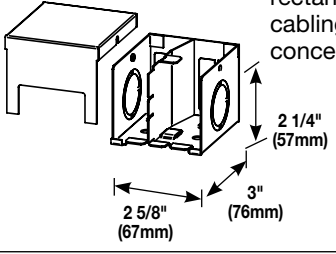
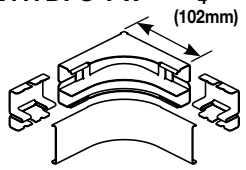
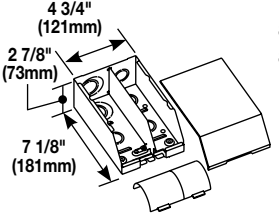
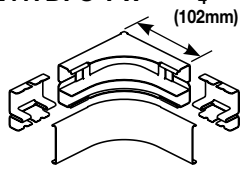
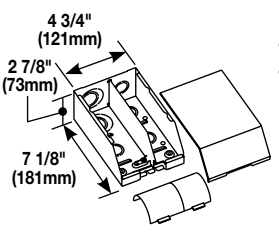
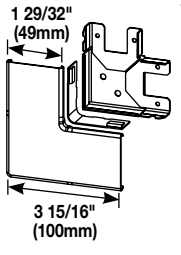
CABLE/WIRE SIZE		O.D. (Approx Dia.)		1/3 COMPARTMENT	2/3 COMPARTMENT
		Inches	(mm)	40% FILL	40% FILL**
UNSHIELDED TWISTED PAIR	4-Pair, 24 AWG, Cat 3	0.190	(4.8)	5	12
	4-Pair, 24 AWG, Cat 5e	0.210	(5.3)	4	9
	4-Pair, 24 AWG, Cat 6	0.250	(6.3)	3	7
	4-Pair, 24 AWG, Cat 6a	0.354	(8.9)	1	3
	25-Pair, 24 AWG	0.410	(10.4)	1	2
COAXIAL	RG6/U	0.270	(6.9)	2	6
FIBER	ZipCord	0.118 x 0.236	(3 x 6)	5	12
	Round 4-Strand Fiber	0.187	(4.8)	5	12
	Round 6-Strand Fiber	0.256	(6.5)	2	6

### 2400D Series Divided Raceway Base & Cover Ordering Information

Catalog No./Item	Description/Specifications	Catalog No./Item	Description/Specifications
<b>V2400BD</b> <b>2400BD-FW</b>	 <b>Divided Raceway Base</b> – .040" (1.0mm) steel; divided into 1/3 and 2/3 compartments. Packed ten 10' (3.0m) lengths per carton.	<b>624</b>	 <b>2400 Raceway Base &amp; Cover Cutter</b> – Portable cutter for 2400 & 2400D Series Raceway Base and Cover. Provides a clean and easy square cut every time.
<b>V2400C</b> <b>2400C-FW</b>	 <b>Raceway Cover</b> – .040" (1.0mm) steel; packed twenty 5' (1.5m) lengths per carton.	<b>624BCK</b>	<b>Replacement Blade Kit</b> – Replacement blades and die set for 624 Cutter.
		<b>IWE-S</b> <b>DVWE-S</b>	 <b>Spray Paint</b> – Used for touching up large areas. Available in Ivory (IWE-S) or Fog White (DVWE-S). Contains 12 oz. of paint. <b>NOTE: Can only be shipped via ground transportation.</b>
		<b>IWE-P</b> <b>DVWE-P</b>	 <b>Touch-Up Paint Pen</b> – Used for touching up small areas. Available in Ivory (IWE-P) or Fog White (DVWE-P). Contains 0.3 oz. of paint.

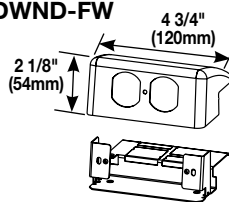
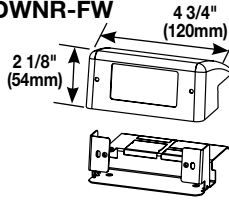
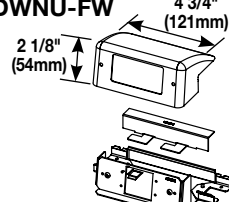
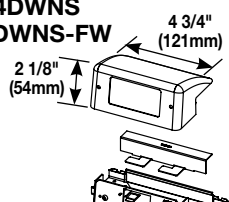
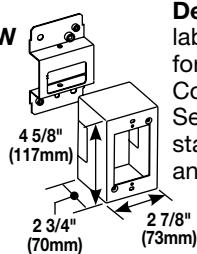
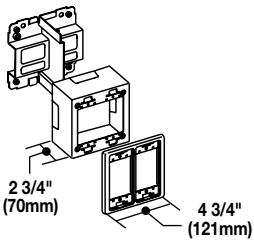
NOTE: "V" prefix indicates Ivory color, "-FW" suffix indicates Fog White color.

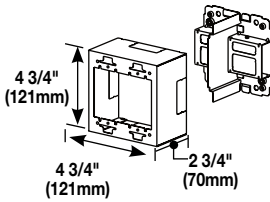
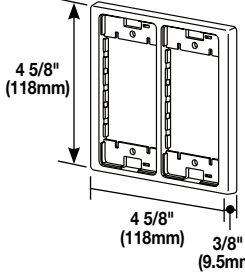
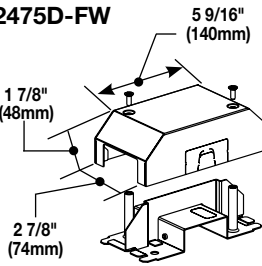
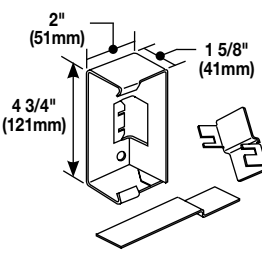
## 2400D Series Divided Raceway Fittings (continued)

Catalog No./Item	Description/Specifications	Catalog No./Item	Description/Specifications
<b>2400WC</b> 	<b>Wire Clip</b> – Additional support for conductors in 2400D Series Raceway. (Nonmetallic)	<b>V2411DFO</b> <b>2411DFO-FW</b> 	<b>Radiused Divided Flat Elbow</b> – 90° flat elbow with integral dividers to provide 2" (51mm) full capacity cable bend radius control for fiber optic and UTP/STP cable installations. Ideal for lay-in or pull-through installations. Couplings included.
<b>2401D</b> 	<b>Divided Coupling</b> – Joins sections of 2400DB Divided Base.	<b>V2415DFO</b> <b>2415DFO-FW</b> 	<b>Radiused Divided Tee</b> – For branches at right angles. Provides 2" (51mm) full capacity cable bend radius control for fiber optic and UTP/STP cable installations. Couplings included.
<b>V2406</b> <b>2406-FW</b> 	<b>Cover Clip</b> – Covers joints where sections of 2400 Series Raceway cover or base come together. Nonmetallic construction.	<b>V2410BD</b> <b>2410BD-FW</b> 	<b>Divided Blank End Fitting</b> – Closes off open end of 2400D Series Raceway.
<b>V2410D</b> <b>2410D-FW</b> 	<b>Divided Entrance End Fitting</b> – Feeds 2400D Series Raceway. Two 1/2" trade size KOs and two rectangular KOs for communication cabling. Two additional 1" and 3/4" concentric trade size KOs on sides.	<b>V2417D</b> <b>2417D-FW</b> 	<b>Divided Internal Elbow</b> – Makes internal 90° corners in runs of 2400D Series Raceway.
<b>V2410DFO</b> <b>2410DFO-FW</b> 	<b>Divided Entrance End Fitting</b> – Feeds 2400 & 2400D Series Raceway. Includes 1/2", 3/4", and 1" trade size KOs on back and end. Removable divider and bend radius control insert included.	<b>V2417DFO</b> <b>2417DFO-FW</b> 	<b>Radiused Divided Internal Elbow</b> – 90° internal corner. Provides a 2" (51mm) full capacity cable bend radius control for fiber optic and UTP/STP cable installations. Couplings included.
<b>V2411D</b> <b>2411D-FW</b> 	<b>Divided Flat Elbow</b> – Makes right angle turns in runs of 2400D Series Raceway on same surface.	<b>V2418DFO</b> <b>2418DFO-FW</b> 	<b>Radiused Divided External Elbow</b> – 90° external elbow. Provides a 2" (51mm) full capacity cable bend radius control for fiber optic and UTP/STP cable installations. Couplings included.

**NOTE:** "V" prefix indicates Ivory color, "-FW" suffix indicates Fog White color.

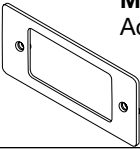
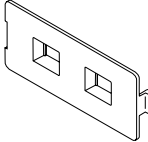
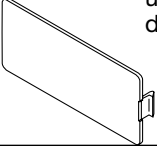
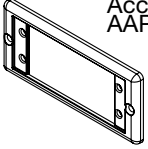
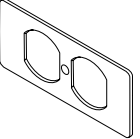
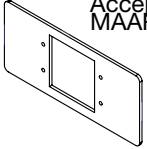
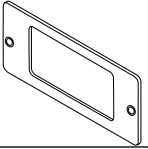
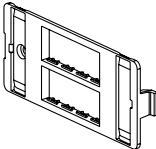
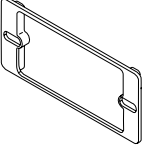
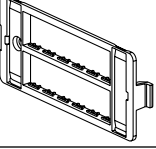
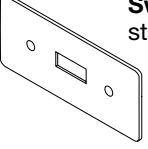
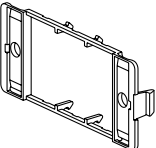
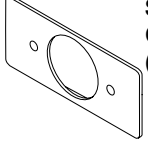

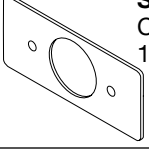
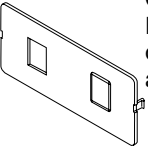
## 2400 Series Divided Raceway Fittings Ordering Information (continued)

Catalog No./Item	Description/Specifications
<b>V24DWND</b> <b>24DWND-FW</b> 	<b>Downward Duplex Device Bracket</b> – Labor saving over-the-raceway device bracket. For 15A or 20A duplex receptacles or 106 style data frame in 2400D Series Raceway.
<b>V24DWNR</b> <b>24DWNR-FW</b> 	<b>Downward Decorator Device Bracket</b> – For 15A and 20A decorator/GFCI receptacles or 106 style data frame in 2400D Series Raceway.
<b>V24DWNU</b> <b>24DWNU-FW</b> 	<b>Downward Extron® MAAP Device Plate</b> – Accepts two Extron® Electronics MAAP single space modules. Raceway base must be cut.
<b>V24DWNS</b> <b>24DWNS-FW</b> 	<b>Downward Ortronics® Series II Device Plate</b> – Accepts one Ortronics® Series II module. Raceway base must be cut.
<b>V2444D</b> <b>2444D-FW</b> 	<b>Device Box</b> – One-gang, labor saving, over-the-raceway box for use with 2400D Series Raceway. Cover has two twistouts for 2400D Series Raceway. Accepts industry standard faceplates for electrical and communication devices.
<b>V2444D-2A</b> <b>2444D-2AFW</b> 	<b>Divided Device Box</b> – Divided two-gang, labor saving, over-the-raceway box for use with 2400D Series Raceway. Provides the ability to have both power and low voltage at a single point-of-use. Accepts 5507 Series Faceplates, Ortronics® TracJack & Series II Modules (requires S2-EPL Plate), Pass & Seymour Activate Series Inserts (requires CM-EPLA Plate) and Wiremold CM2 Series Open System Communication Modules (requires CM-EPLA Plate).

Catalog No./Item	Description/Specifications
<b>V2444D-2N</b> <b>2444D-2NFW</b> 	<b>Divided Box</b> – Labor savings over-the-raceway box. A divided two-gang box for use with 2400D Series Raceway. Allows both power and low voltage at a single point-of-use. For use with commercially available faceplates (not supplied).
<b>V2450</b> <b>2450-FW</b> 	<b>Device Bracket</b> – For use with 2444D-2N for both power and low voltage at a single point of use. Accepts 5507 Series Faceplates, Ortronics® TracJack & Series II Modules (requires S2-EPL Plate), Pass & Seymour Activate Series Inserts (requires CM-EPLA Plate) and Wiremold CM2 Series Open System Communication Modules (requires CM-EPLA Plate).
<b>V2475D</b> <b>2475D-FW</b> 	<b>Bridge Fitting</b> – For allowing 2400D Series Raceway to bridge over existing installations of 2400, 2400D, 500, and 700 Series Raceways.
<b>V4089</b> 	<b>Reducing Connector</b> – For reducing from 4000 Series Raceway to 2400D Series Raceway.

**NOTE:** "V" prefix indicates Ivory color, "-FW" suffix indicates Fog White color.

## 5507 Series Faceplates Ordering Information

Catalog No./Item	Description/Specifications	Catalog No./Item	Description/Specifications
5507AD 5507AD-FW	<b>Modular Furniture Adapter</b> – Accepts modular furniture adapters. 	5507FRJ 5507FRJ-FW	<b>Flush Dual RJ11/RJ45 Faceplate</b> – Mounts one or two keystone device modules, recessed to provide a flush installation. Has one opening and a KO for the other. 
5507B 5507B-FW	<b>Blank Faceplate</b> – Covers unused compartments in the device bracket. 	5507AAP 5507AAP-FW	<b>Extron® AAP Faceplate</b> – Accepts two Extron® Electronics AAP single space modules. 
5507D 5507D-FW	<b>Duplex Faceplate</b> – Covers duplex style devices. Accepts 106 Frame. 	5507MAAP 5507MAAP-FW	<b>Extron® MAAP Faceplate</b> – Accepts four Extron® Electronics MAAP single space modules. 
5507R 5507R-FW	<b>Rectangular Faceplate</b> – Covers rectangular style devices. 	5507-4TJ 5507-4TJFW	<b>Ortronics® Faceplate</b> – Mounts Ortronics® communication inserts. Accepts four TracJack Devices. 
5507S	<b>Rectangular Spacer</b> – Mounts commercial device plates. Installs between the device bracket and a device. 	5507-6TJ 5507-6TJFW	<b>Ortronics® Faceplate</b> – Mounts Ortronics® communication inserts. Accepts six TracJack Devices. 
5507SW 5507SW-FW	<b>Switch Faceplate</b> – Covers standard toggle switches. 	CM-EPLA CM-EPLA-FW	<b>End Plates</b> – Mounts three Pass & Seymour® Activate and Wiremold CM2 Series Open System communication modules into 5507 Series Faceplates. Includes two outlet identification labels with clear covers and two matching screw covers. 
5507T1 5507T1-FW	<b>Single Receptacle Faceplate</b> – Covers single receptacles – 1.59" (40.4mm) diameter. 	S2-EPL S2-EPL-FW	<b>End Plates</b> – Mounts Ortronics® Series II modules into 5507 Series Faceplates. Includes two outlet identification labels with clear covers and two matching screw covers. 
5507T2 5507T2-FW	<b>Single Receptacle Faceplate</b> – Covers single receptacles – 1.41" (35.8mm) diameter. 		
5507RJ 5507RJ-FW	<b>Dual RJ11/RJ45 Connector Faceplate</b> – Mounts one or two keystone device modules, has one opening and a KO for the other. 		

**NOTE:** All faceplates have a standard measurement of 4 1/4" x 1 7/8" (108mm x 34mm). Part number without prefix indicates Ivory color, "-FW" suffix indicates Fog White color.

# NOTES



**Electrical Wiring Systems**

60 Woodlawn Street  
West Hartford, CT 06110  
Phone: 1.877.BY.LEGRAND (295-3472)  
[www.legrand.us](http://www.legrand.us)

570 Applewood Crescent  
Vaughan, Ontario L4K 4B4  
Phone: 905.738.9195  
[www.legrand.ca](http://www.legrand.ca)

**ED874R21 – Updated January 2016 – For latest specs visit [www.legrand.us/wiremold](http://www.legrand.us/wiremold)**

