

Straight Blade Devices 20A, 125V, 2 Pole, 3 Wire Grounding USB Charger Receptacles

HUBBELL

Features

- Two USB ports 3.8 Amp, 5V DC, type A, class 2.0
- Tamper-Resistant decorator duplex receptacle
- Green LED indicator to show USB power available
- Compatible with USB 1.1/2.0/3.0 devices, including Apple® products

Ordering Information

| Description | Device Color | UPC | Catalog Number |
|---|--------------|--------------|----------------|
| USB 20A 125V AC Charger Tamper-Resistant receptacle, Two USB Type 2.0 ports 3.8 Amp, 5 Volt DC | White | 883778304859 | USB20X2W |

Listings

cULus listed to UL498

Specifications

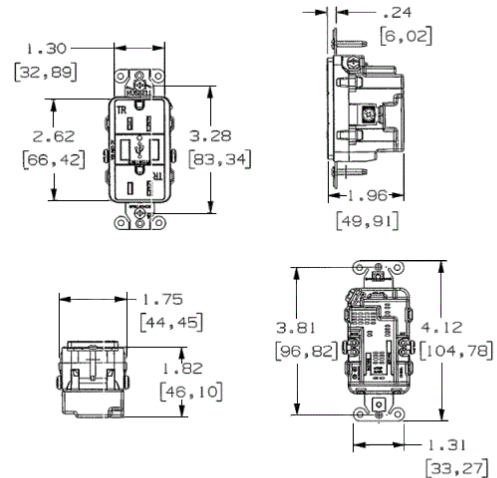
| | |
|-----------------|-------------------------|
| Face | RTP |
| Base | RTP |
| LED | Green Indicator |
| Contacts | Plated steel |
| Clamp | Plated steel |
| Terminal Screws | Plated steel |
| Mounting Strap | .040" Zinc plated steel |
| Mounting Screws | Zinc plated steel |
| USB Port | Stainless Steel |

Performance

| Electrical | |
|-------------------------|--|
| Current Interrupting | Certified for current interrupting at full rated current |
| Dielectric Voltage | Withstands 2,000V minimum |
| Mechanical | |
| Product Identification | Ratings are a permanent part of the device |
| Terminal Accommodation | #14-#10 AWG copper stranded or solid conductor only |
| Terminal Identification | Terminals identified in accordance with UL 498 and CSA |
| USB Port | Stainless steel Rated for 10,000 plug insertions and removal |
| Environmental | |
| Flammability | UL 94V-2 |
| Operating Temperature | Maximum continuous 75°C; minimum -40°C (w/o impact) |



20A 125V
NEMA 5-20R
UL CSA
1 HP



Complementary Products

Wallplate or Weatherproof Cover StyleLine® Decorator Opening

Online Resources

Customer Use Drawing
eCatalog
Installation Instructions

Dimensions in Inches (mm)

Hubbell Wiring Device-Kellems • Hubbell Incorporated (Delaware) • 40 Waterview Drive • Shelton, CT 06484

Phone (800) 288-6000 • Fax (800) 255-1031 • Specifications subject to change without notice.



Straight Blade Devices 20A, 125V, 2 Pole, 3 Wire Grounding USB Charger Receptacles

HUBBELL

Features

- Two USB ports 3.8 Amp, 5V DC, type A, class 2.0
- Tamper-Resistant decorator duplex receptacle
- Green LED indicator to show USB power available
- Compatible with USB 1.1/2.0/3.0 devices, including Apple® products

Ordering Information

| Description | Device Color | UPC | Catalog Number |
|---|--------------|--------------|----------------|
| USB 20A 125V AC Charger Tamper-Resistant receptacle, Two USB Type 2.0 ports 3.8 Amp, 5 Volt DC | White | 883778304859 | USB20X2W |

Listings

cULus listed to UL498

Specifications

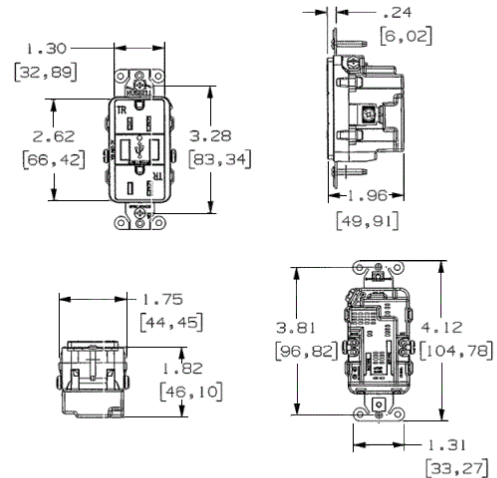
| | |
|-----------------|-------------------------|
| Face | RTP |
| Base | RTP |
| LED | Green Indicator |
| Contacts | Plated steel |
| Clamp | Plated steel |
| Terminal Screws | Plated steel |
| Mounting Strap | .040" Zinc plated steel |
| Mounting Screws | Zinc plated steel |
| USB Port | Stainless Steel |

Performance

| Electrical | |
|-------------------------|--|
| Current Interrupting | Certified for current interrupting at full rated current |
| Dielectric Voltage | Withstands 2,000V minimum |
| Mechanical | |
| Product Identification | Ratings are a permanent part of the device |
| Terminal Accommodation | #14-#10 AWG copper stranded or solid conductor only |
| Terminal Identification | Terminals identified in accordance with UL 498 and CSA |
| USB Port | Stainless steel Rated for 10,000 plug insertions and removal |
| Environmental | |
| Flammability | UL 94V-2 |
| Operating Temperature | Maximum continuous 75°C; minimum -40°C (w/o impact) |



20A 125V
NEMA 5-20R
UL CSA
1 HP



Complementary Products

Wallplate or Weatherproof Cover StyleLine® Decorator Opening

Online Resources

Customer Use Drawing
eCatalog
Installation Instructions

Dimensions in Inches (mm)

Hubbell Wiring Device-Kellems • Hubbell Incorporated (Delaware) • 40 Waterview Drive • Shelton, CT 06484

Phone (800) 288-6000 • Fax (800) 255-1031 • Specifications subject to change without notice.

