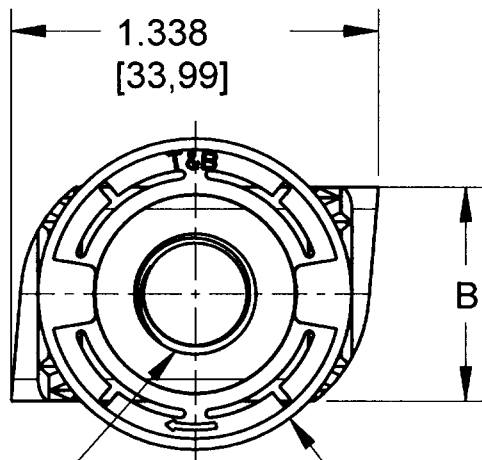
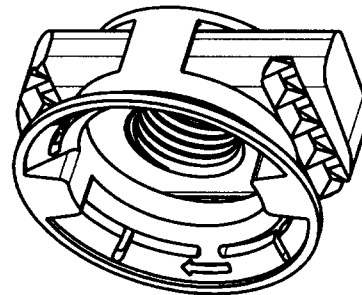
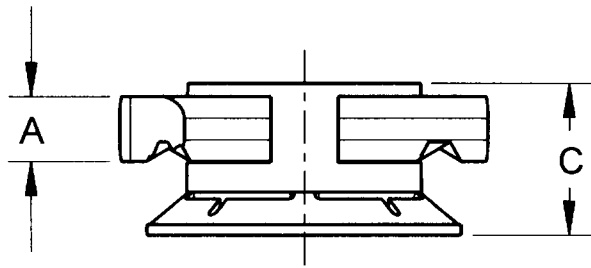


Kindorf



THREAD

R.571
[14,5]

NOTES:

1. MATERIAL:
CHANNEL NUT: CARBON STEEL
CONE: NYLON 6 - T&B BLUE IN COLOR
2. ALL CONE NUTS SHALL BE ZINC PLATED "GOLD-GALV" FINISH

UCN12	1/2" UNIVERSAL CONE NUT	.358 (9.1)	.785 (19.9)	.673(17.1)	1/2"-13 UNC
UCN38	3/8" UNIVERSAL CONE NUT	.358 (9.1)	.785 (19.9)	.673(17.1)	3/8"-16 UNC
UCN516	5/16" UNIVERSAL CONE NUT	.358 (9.1)	.785 (19.9)	.673(17.1)	5/16"-16 UNC
UCN14	1/4" UNIVERSAL CONE NUT	.238 (6.1)	.785 (19.9)	.559(14.2)	1/4"-20 UNC
CAT #	DESCRIPTION	DIM "A"	DIM "B"	DIM "C"	THREAD

GENERAL NOTES

1. ALL DIMENSIONS ARE FOR REFERENCE ONLY.
2. DIMENSIONS IN BRACKETS [] ARE IN METRIC UNITS.

www.tnb.com

Thomas & Betts
A Member of the ABB Group

DESCRIPTION:

UNIVERSAL CONE NUT, KINDORF

REVISIONS

- SEE ERN (****) FOR APPROVAL SIGNATURES & RELEASE DATE.
PROJECT NO: ****

ORIGINAL PROJECT NO / (ERN NO)

004V000465 / (2014940)

SHEET NO:

1 OF 1

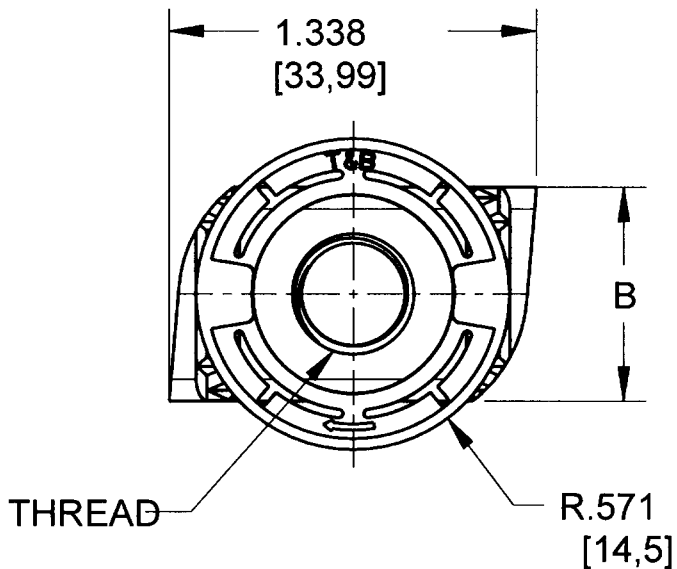
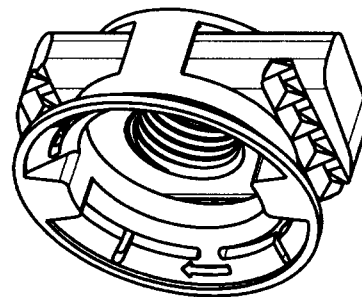
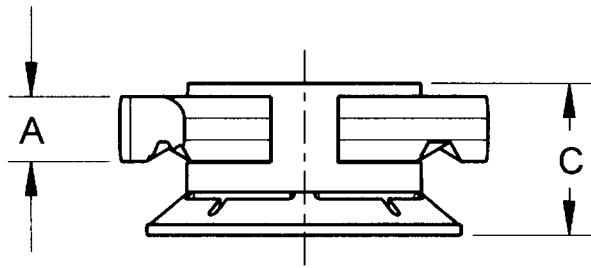
REV. NO:

--

DRAWING NO:

WSD-001196

Kindorf



NOTES:

1. MATERIAL:
CHANNEL NUT: CARBON STEEL
CONE: NYLON 6 - T&B BLUE IN COLOR
2. ALL CONE NUTS SHALL BE ZINC PLATED "GOLD-GALV" FINISH

UCN12	1/2" UNIVERSAL CONE NUT	.358 (9.1)	.785 (19.9)	.673(17.1)	1/2"-13 UNC
UCN38	3/8" UNIVERSAL CONE NUT	.358 (9.1)	.785 (19.9)	.673(17.1)	3/8"-16 UNC
UCN516	5/16" UNIVERSAL CONE NUT	.358 (9.1)	.785 (19.9)	.673(17.1)	5/16"-16 UNC
UCN14	1/4" UNIVERSAL CONE NUT	.238 (6.1)	.785 (19.9)	.559(14.2)	1/4"-20 UNC
CAT #	DESCRIPTION	DIM "A"	DIM "B"	DIM "C"	THREAD

GENERAL NOTES

1. ALL DIMENSIONS ARE FOR REFERENCE ONLY.
2. DIMENSIONS IN BRACKETS [] ARE IN METRIC UNITS.

www.tnb.com

Thomas & Betts
A Member of the ABB Group

REVISIONS

- SEE ERN (****) FOR APPROVAL SIGNATURES & RELEASE DATE.
PROJECT NO: ****

DESCRIPTION:

UNIVERSAL CONE NUT, KINDORF

ORIGINAL PROJECT NO / (ERN NO)

004V000465 / (2014940)

SHEET NO:

1 OF 1

REV. NO:

--

DRAWING NO:

WSD-001196