



Catalog Number: UAP5024-XL  
Item Description: 200A 4T RL OU LOAD CENTER  
UPC Code: 784572316164

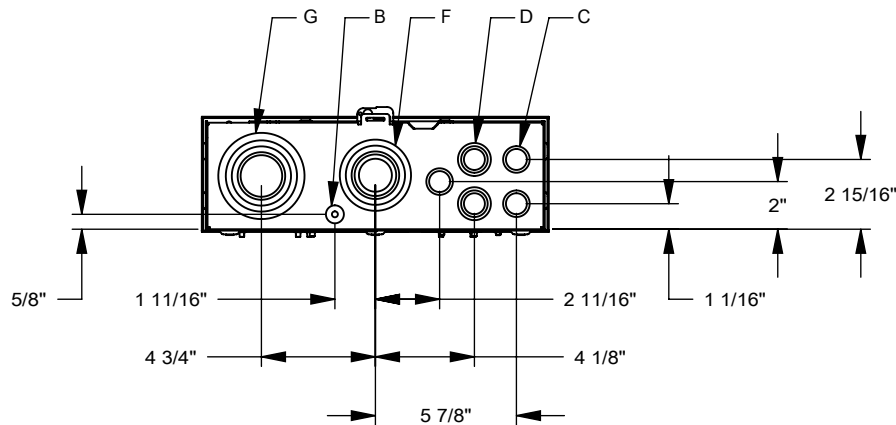
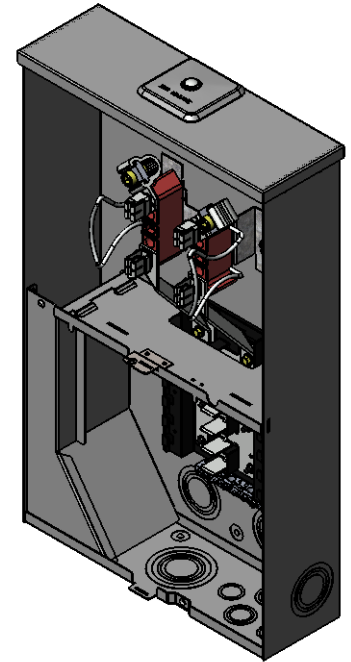
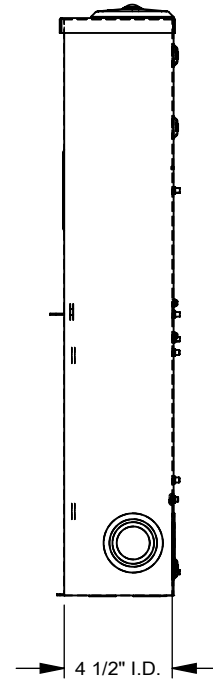
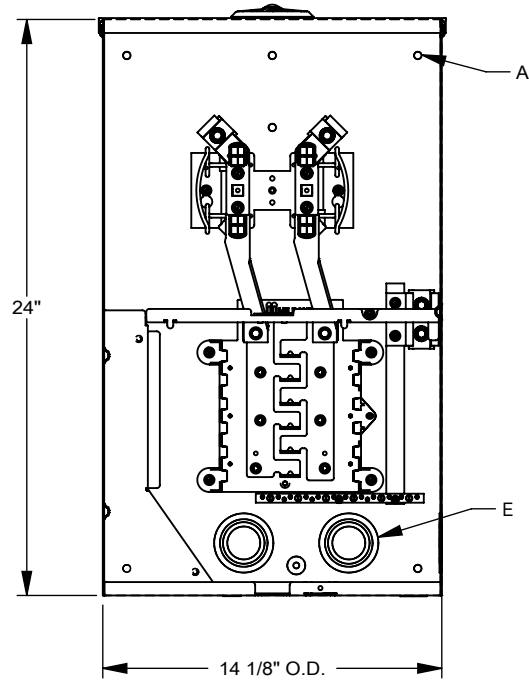
Brand Name: Milbank  
Type: Ringless Meter Socket  
Application: Meter Socket With Load Center  
Standard: UL Listed  
Voltage Rating: Up to 240 Volts Alternating Current  
Amperage Rating: 200 Continuous Ampere  
Phase: 1 Phase  
Frequency Rating: 60 Hertz  
Number Of Cutouts: 12  
Cutout Size: Breaker Provision  
Cable Entry: Overhead and Underground  
Terminal: Lay in Line Side and Single Mechanical Load Side  
Mounting: Surface Mount  
Enclosure: Type 3R, Aluminum with Powder Coat Finish



Additional Specifications: Number of Jaws:4 Terminal  
Hub Opening and Closing Plates:Small Closing Plate  
Hub Opening and Closing Plates:Small Closing Plate  
Hub Opening and Closing Plates:Small Closing Plate  
Hub Opening and Closing Plates:Small Closing Plate  
Hub Opening and Closing Plates:Small Closing Plate

*Utility requirements may vary. Always consult the serving utility for their requirements prior to ordering or installing this equipment. This product must always be installed by a licensed electrician. Installation of this equipment may require local electrical inspector approval.*

FEATURE TABLE		
ITEM	QTY	DESCRIPTION
A	6	U/L MNTG.EMBOSS
B	2	¼, ½ CONC. K.O.
C	3	½, ¾ CONC. K.O.
D	2	½, ¾, 1 CONC. K.O.
E	3	1, 1¼, 1½, 2 CONC. K.O.
F	1	1, 1¼, 1½, 2, 2½ CONC. K.O.
G	1	1¼, 1½, 2, 2½, 3 CONC. K.O.



Version:

1

All dimensions are +/- 1/16".  
 Drawing views are not to scale.  
 Utility requirements for this equipment may vary. Always consult the serving utility for their requirements prior to ordering or installing this equipment. This product must be installed by a licensed electrician. Installation of this equipment may require local electrical inspector approval.



Catalog Number: UAP5024-XL  
Item Description: 200A 4T RL OU LOAD CENTER  
UPC Code: 784572316164

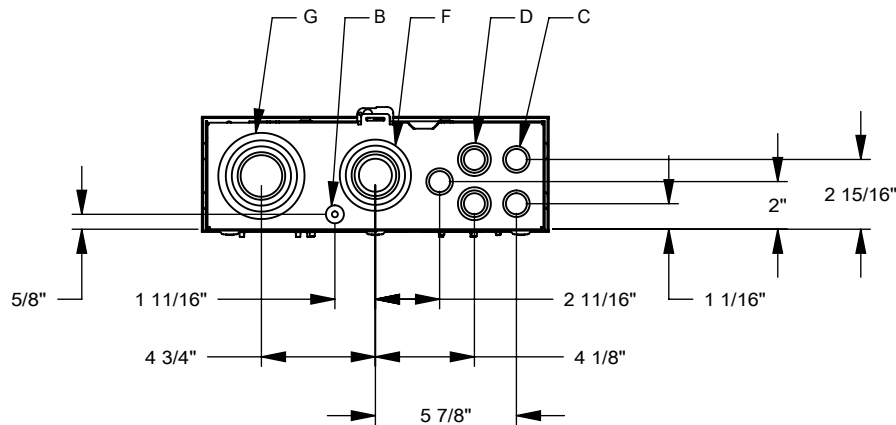
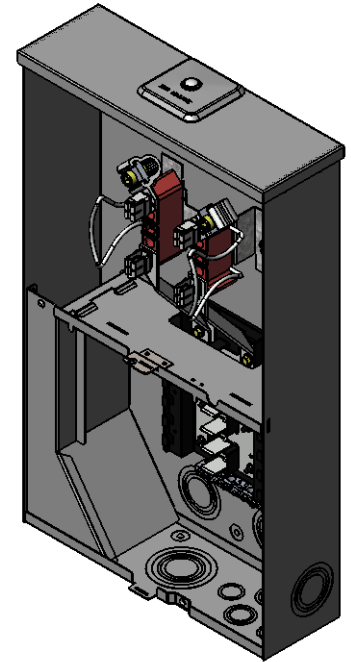
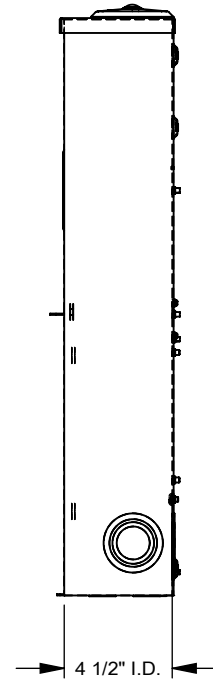
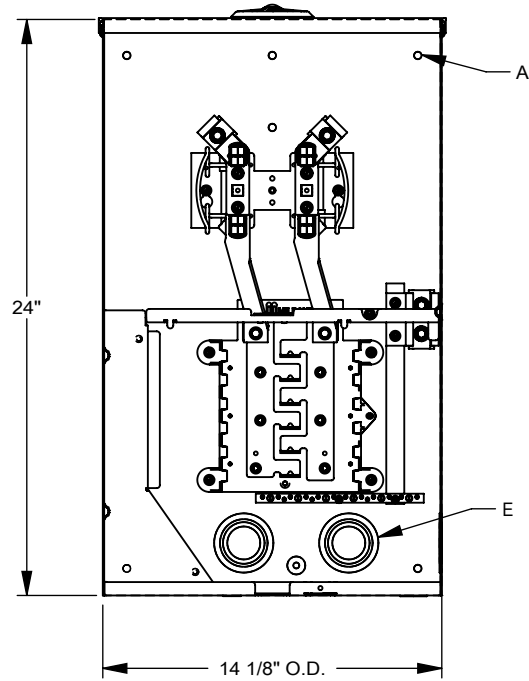
Brand Name: Milbank  
Type: Ringless Meter Socket  
Application: Meter Socket With Load Center  
Standard: UL Listed  
Voltage Rating: Up to 240 Volts Alternating Current  
Amperage Rating: 200 Continuous Ampere  
Phase: 1 Phase  
Frequency Rating: 60 Hertz  
Number Of Cutouts: 12  
Cutout Size: Breaker Provision  
Cable Entry: Overhead and Underground  
Terminal: Lay in Line Side and Single Mechanical Load Side  
Mounting: Surface Mount  
Enclosure: Type 3R, Aluminum with Powder Coat Finish



Additional Specifications: Number of Jaws:4 Terminal  
Hub Opening and Closing Plates:Small Closing Plate  
Hub Opening and Closing Plates:Small Closing Plate  
Hub Opening and Closing Plates:Small Closing Plate  
Hub Opening and Closing Plates:Small Closing Plate  
Hub Opening and Closing Plates:Small Closing Plate

*Utility requirements may vary. Always consult the serving utility for their requirements prior to ordering or installing this equipment. This product must always be installed by a licensed electrician. Installation of this equipment may require local electrical inspector approval.*

FEATURE TABLE		
ITEM	QTY	DESCRIPTION
A	6	U/L MNTG.EMBOSS
B	2	1/4, 1/2 CONC. K.O.
C	3	1/2, 3/4 CONC. K.O.
D	2	1/2, 3/4, 1 CONC. K.O.
E	3	1, 1 1/4, 1 1/2, 2 CONC. K.O.
F	1	1, 1 1/4, 1 1/2, 2, 2 1/2 CONC. K.O.
G	1	1 1/4, 1 1/2, 2, 2 1/2, 3 CONC. K.O.



Version:

1

All dimensions are +/- 1/16".  
 Drawing views are not to scale.  
 Utility requirements for this equipment may vary. Always consult the serving utility for their requirements prior to ordering or installing this equipment. This product must be installed by a licensed electrician. Installation of this equipment may require local electrical inspector approval.