



Catalog Number: U227MTB-P
Item Description: 200A 7T RT OH MAIN
UPC Code: 784572135284

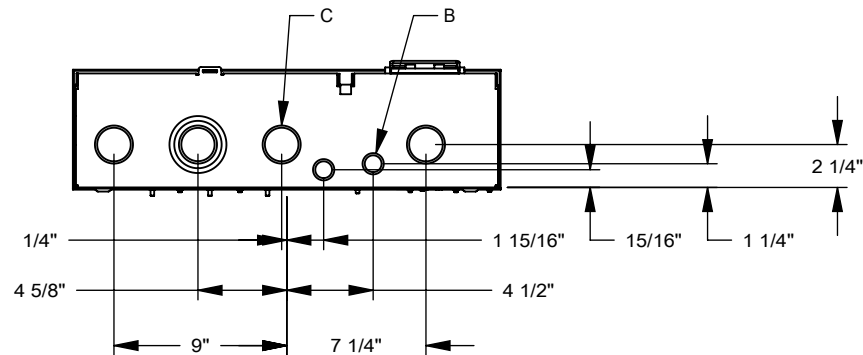
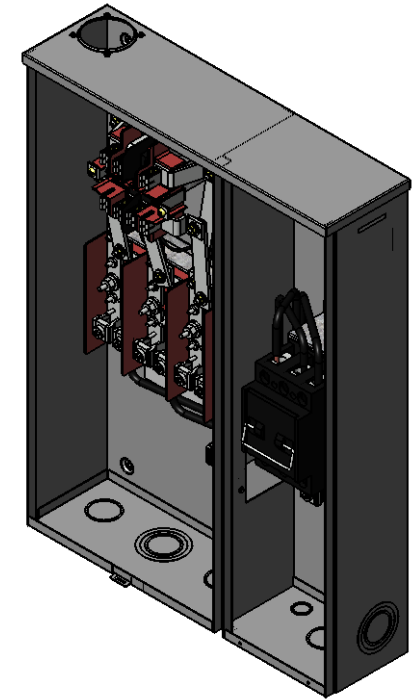
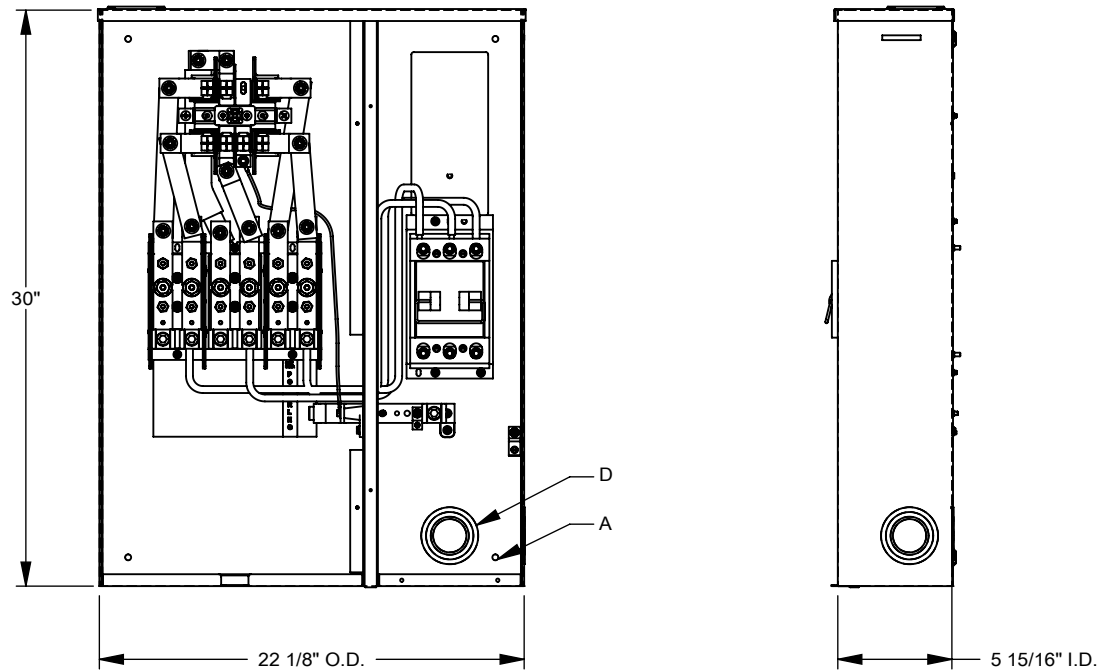
Brand Name: Milbank
Type: Ring Type Meter Socket
Application: Meter Socket With Main
Standard: UL Listed
Voltage Rating: Up to 240 Volts Alternating Current
Amperage Rating: 200 Continuous Ampere
Phase: 3 Phase
Frequency Rating: 60 Hertz
Number Of Cutouts: 1
Cutout Size: 200 Ampere Main Fuse Pull Out Switch
Cable Entry: Overhead and Underground
Terminal: Single Mechanical Line Side and Single Mechanical Load Side Connector
Mounting: Surface Mount
Enclosure: Type 3R, G90 Galvanized Steel with Powder Coat Finish

Additional Specifications: Number of Jaws:7 Terminal
Hub Opening and Closing Plates:Small Closing Plate
Hub Opening and Closing Plates:Small Closing Plate
Hub Opening and Closing Plates:Small Closing Plate
Hub Opening and Closing Plates:Small Closing Plate
Hub Opening and Closing Plates:Small Closing Plate



Utility requirements may vary. Always consult the serving utility for their requirements prior to ordering or installing this equipment. This product must always be installed by a licensed electrician. Installation of this equipment may require local electrical inspector approval.

| FEATURE TABLE | | |
|---------------|-----|---------------------------------|
| ITEM | QTY | DESCRIPTION |
| A | 4 | STD. MNTG. EMBOSS |
| B | 2 | 1/2, 3/4 CONC. K.O. |
| C | 3 | 1/4, 1 1/2 CONC. K.O. |
| D | 4 | 1/4, 1 1/2, 2, 2 1/2 CONC. K.O. |



Version:

1

All dimensions are +/- 1/16".
Drawing views are not to scale.

Utility requirements for this equipment may vary. Always consult the serving utility for their requirements prior to ordering or installing this equipment. This product must be installed by a licensed electrician. Installation of this equipment may require local electrical inspector approval.



Catalog Number: U227MTB-P
Item Description: 200A 7T RT OH MAIN
UPC Code: 784572135284

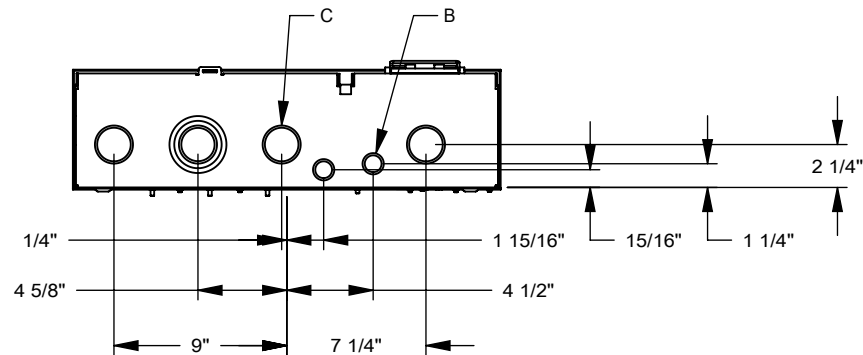
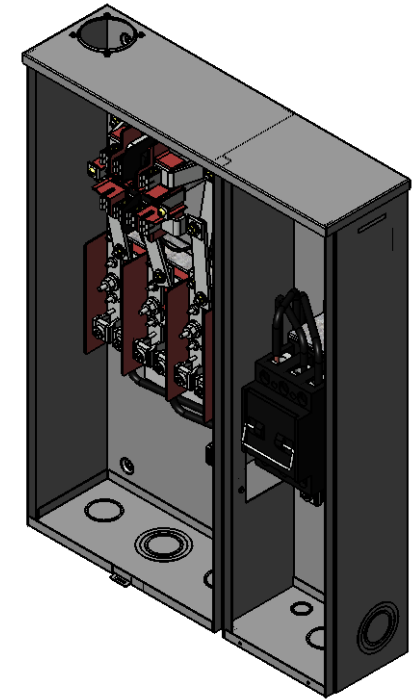
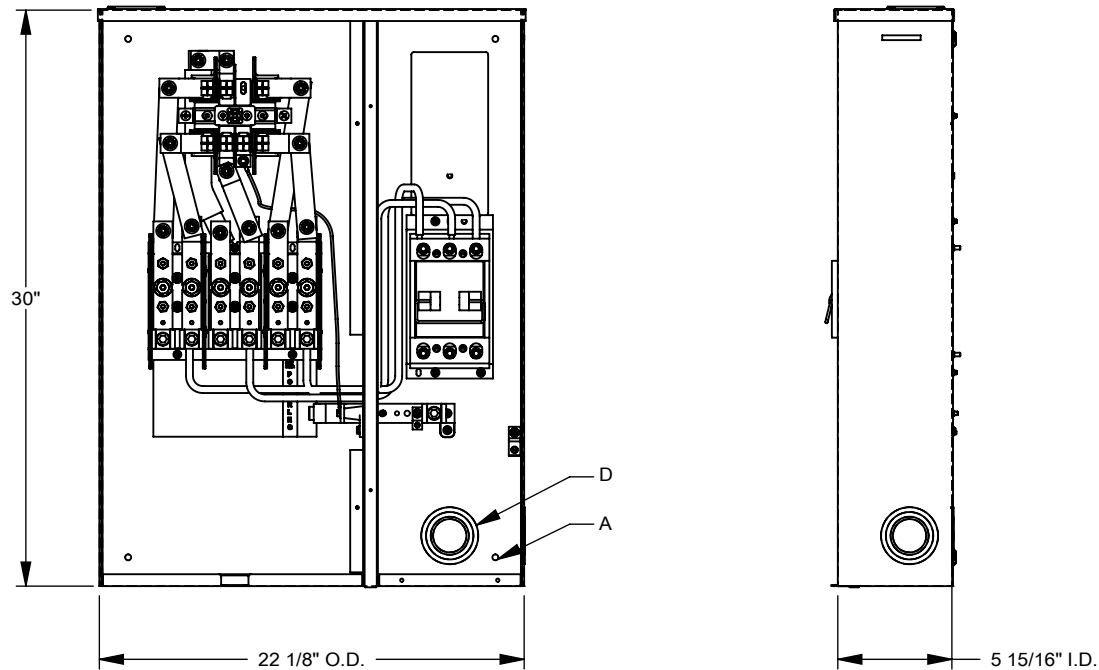
Brand Name: Milbank
Type: Ring Type Meter Socket
Application: Meter Socket With Main
Standard: UL Listed
Voltage Rating: Up to 240 Volts Alternating Current
Amperage Rating: 200 Continuous Ampere
Phase: 3 Phase
Frequency Rating: 60 Hertz
Number Of Cutouts: 1
Cutout Size: 200 Ampere Main Fuse Pull Out Switch
Cable Entry: Overhead and Underground
Terminal: Single Mechanical Line Side and Single Mechanical Load Side Connector
Mounting: Surface Mount
Enclosure: Type 3R, G90 Galvanized Steel with Powder Coat Finish

Additional Specifications: Number of Jaws:7 Terminal
Hub Opening and Closing Plates:Small Closing Plate
Hub Opening and Closing Plates:Small Closing Plate
Hub Opening and Closing Plates:Small Closing Plate
Hub Opening and Closing Plates:Small Closing Plate
Hub Opening and Closing Plates:Small Closing Plate



Utility requirements may vary. Always consult the serving utility for their requirements prior to ordering or installing this equipment. This product must always be installed by a licensed electrician. Installation of this equipment may require local electrical inspector approval.

| FEATURE TABLE | | |
|---------------|-----|---------------------------------|
| ITEM | QTY | DESCRIPTION |
| A | 4 | STD. MNTG. EMBOSS |
| B | 2 | 1/2, 3/4 CONC. K.O. |
| C | 3 | 1/4, 1 1/2 CONC. K.O. |
| D | 4 | 1/4, 1 1/2, 2, 2 1/2 CONC. K.O. |



Version:

1

All dimensions are +/- 1/16".
 Drawing views are not to scale.
 Utility requirements for this equipment may vary. Always consult the serving utility for their requirements prior to ordering or installing this equipment. This product must be installed by a licensed electrician. Installation of this equipment may require local electrical inspector approval.