



Catalog Number: U214MTB-P  
Item Description: 100A 4T RT OU MAIN  
UPC Code: 784572134812

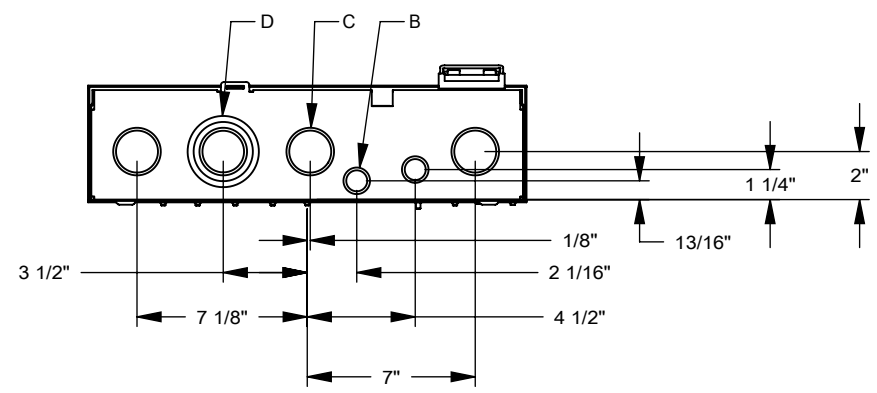
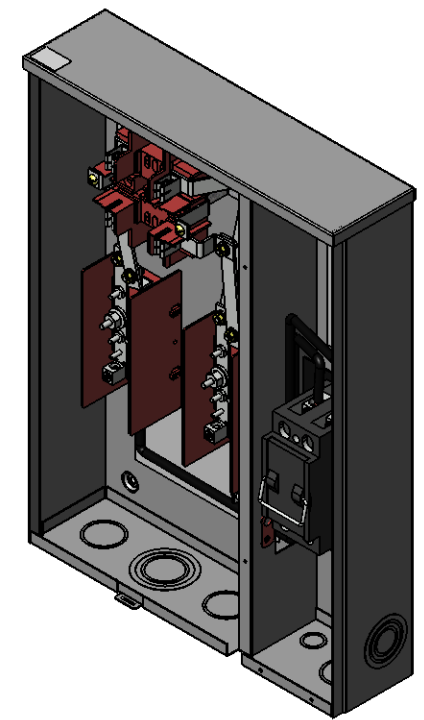
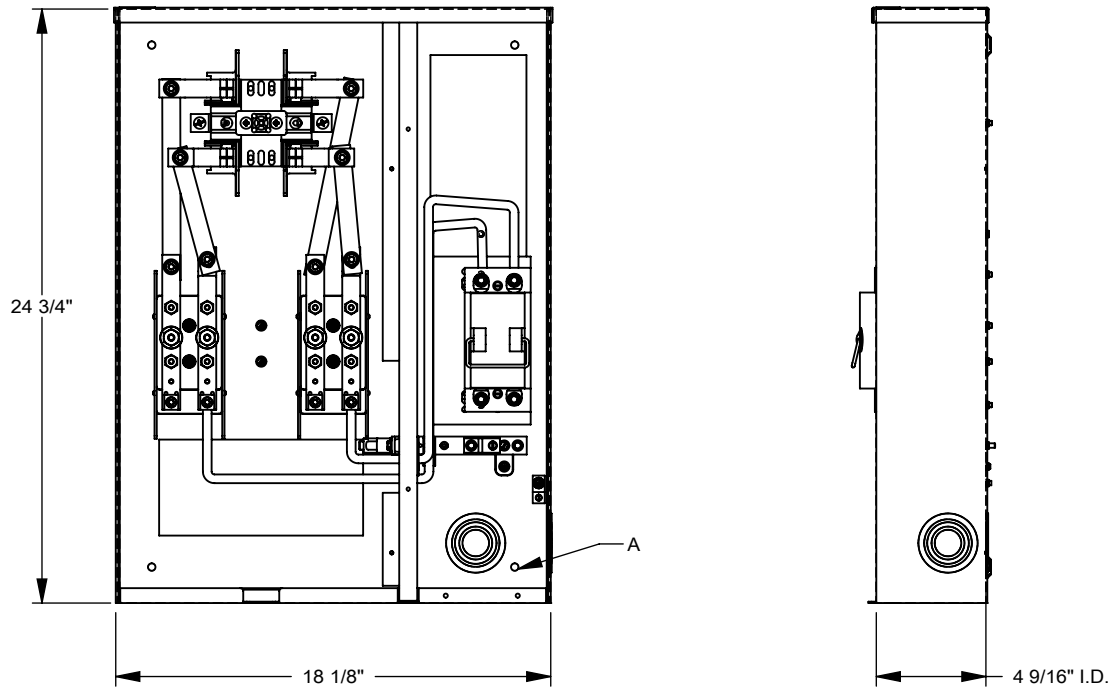
Brand Name: Milbank  
Type: Ring Type Meter Socket  
Application: Meter Socket With Main  
Standard: UL Listed  
Voltage Rating: Up to 240 Volts Alternating Current  
Amperage Rating: 100 Continuous Ampere  
Phase: 1 Phase  
Frequency Rating: 60 Hertz  
Number Of Cutouts: 1  
Cutout Size: 100 Ampere Main Fuse Pull Out Switch  
Cable Entry: Overhead and Underground  
Terminal: Single Mechanical Line Side and Single Mechanical Load Side Connector  
Mounting: Surface Mount  
Enclosure: Type 3R, G90 Galvanized Steel with Powder Coat Finish

Additional Specifications: Number of Jaws:6 Terminal  
Hub Opening and Closing Plates:Twin Small Closing Plates  
Hub Opening and Closing Plates:Twin Small Closing Plates  
Hub Opening and Closing Plates:Twin Small Closing Plates  
Hub Opening and Closing Plates:Twin Small Closing Plates  
Hub Opening and Closing Plates:Twin Small Closing Plates



*Utility requirements may vary. Always consult the serving utility for their requirements prior to ordering or installing this equipment. This product must always be installed by a licensed electrician. Installation of this equipment may require local electrical inspector approval.*

FEATURE TABLE		
ITEM	QTY	DESCRIPTION
A	4	STD. MNTG. EMBOSS
B	2	1/2, 3/4 CONC. K.O.
C	3	1 1/4, 1 1/2 CONC. K.O.
D	3	1 1/4, 1 1/2, 2, 2 1/2 CONC. K.O.



Version:

**1**

All dimensions are +/- 1/16".  
 Drawing views are not to scale.  
 Utility requirements for this equipment may vary. Always consult the serving utility for their requirements prior to ordering or installing this equipment. This product must be installed by a licensed electrician. Installation of this equipment may require local electrical inspector approval.



Catalog Number: U214MTB-P  
Item Description: 100A 4T RT OU MAIN  
UPC Code: 784572134812

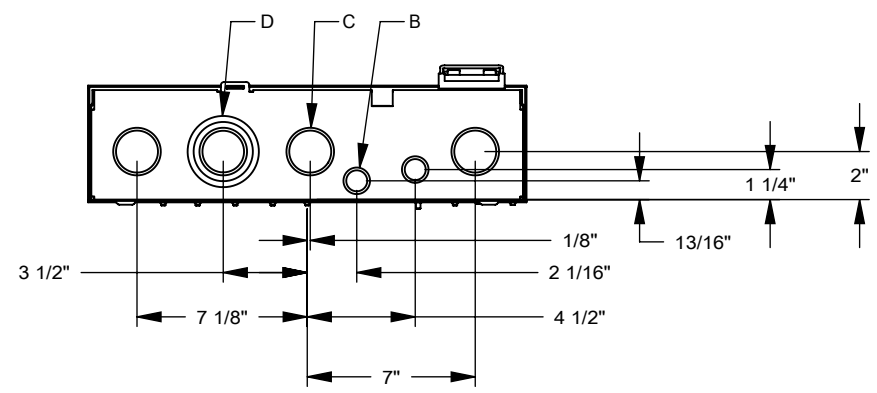
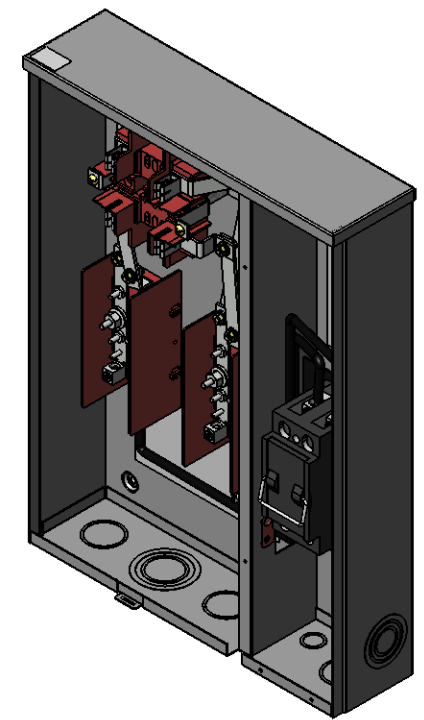
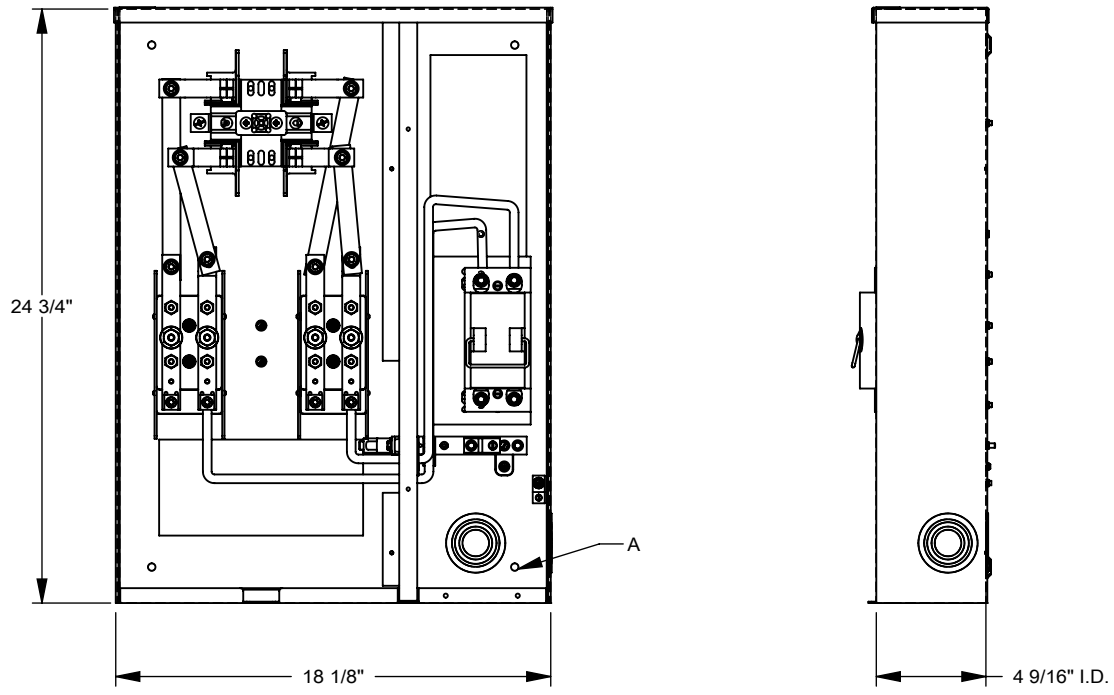
Brand Name: Milbank  
Type: Ring Type Meter Socket  
Application: Meter Socket With Main  
Standard: UL Listed  
Voltage Rating: Up to 240 Volts Alternating Current  
Amperage Rating: 100 Continuous Ampere  
Phase: 1 Phase  
Frequency Rating: 60 Hertz  
Number Of Cutouts: 1  
Cutout Size: 100 Ampere Main Fuse Pull Out Switch  
Cable Entry: Overhead and Underground  
Terminal: Single Mechanical Line Side and Single Mechanical Load Side Connector  
Mounting: Surface Mount  
Enclosure: Type 3R, G90 Galvanized Steel with Powder Coat Finish

Additional Specifications: Number of Jaws:6 Terminal  
Hub Opening and Closing Plates:Twin Small Closing Plates  
Hub Opening and Closing Plates:Twin Small Closing Plates  
Hub Opening and Closing Plates:Twin Small Closing Plates  
Hub Opening and Closing Plates:Twin Small Closing Plates  
Hub Opening and Closing Plates:Twin Small Closing Plates



*Utility requirements may vary. Always consult the serving utility for their requirements prior to ordering or installing this equipment. This product must always be installed by a licensed electrician. Installation of this equipment may require local electrical inspector approval.*

FEATURE TABLE		
ITEM	QTY	DESCRIPTION
A	4	STD. MNTG. EMBOSS
B	2	1/2, 3/4 CONC. K.O.
C	3	1 1/4, 1 1/2 CONC. K.O.
D	3	1 1/4, 1 1/2, 2, 2 1/2 CONC. K.O.



Version:

1

All dimensions are +/- 1/16".  
 Drawing views are not to scale.  
 Utility requirements for this equipment may vary. Always consult the serving utility for their requirements prior to ordering or installing this equipment. This product must be installed by a licensed electrician. Installation of this equipment may require local electrical inspector approval.