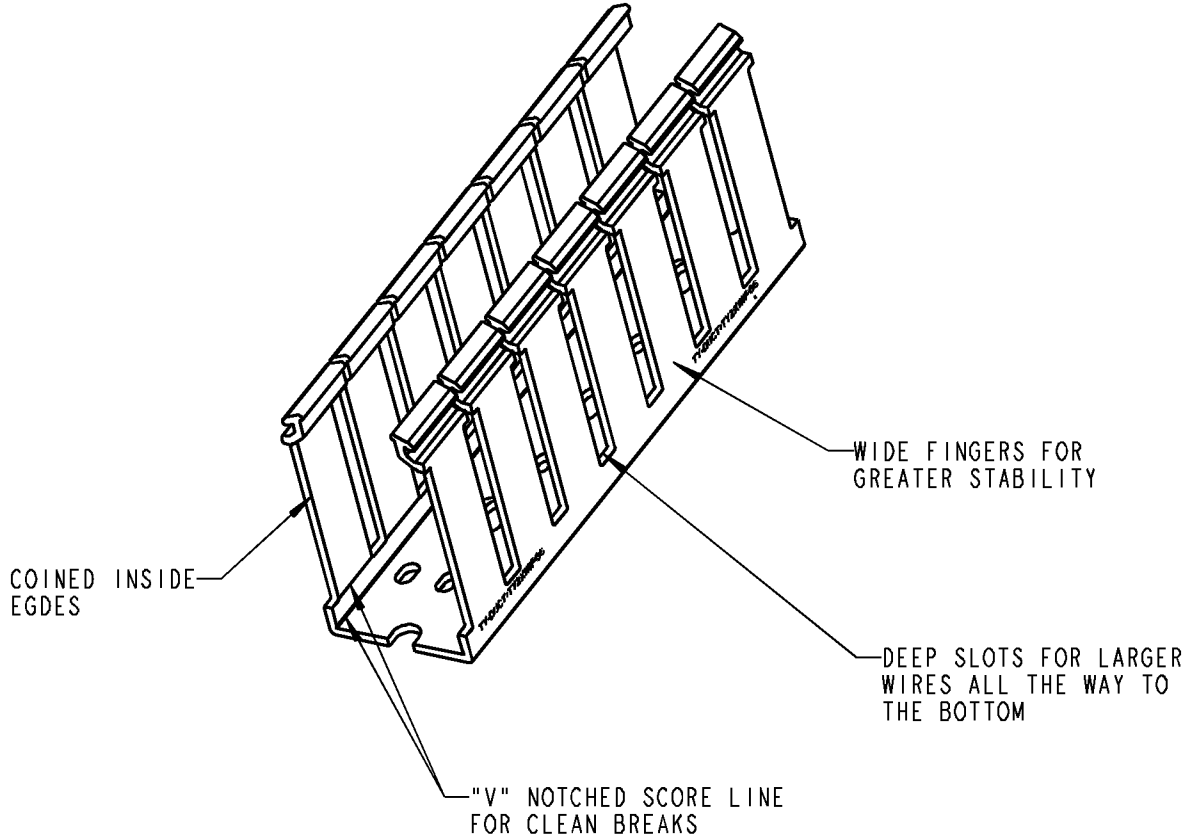




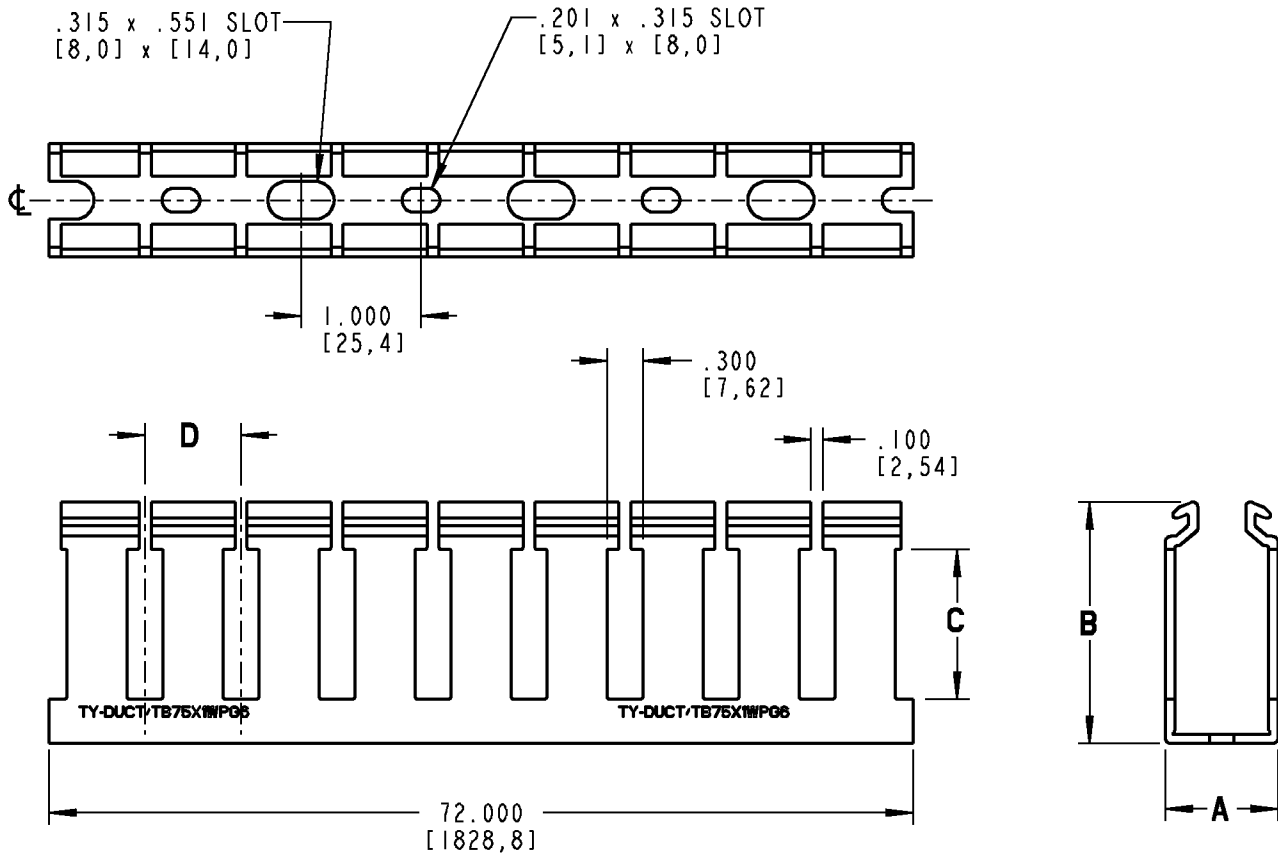
# Ty-Duct™



**NOTES:**

1. MATERIAL: RIGID PVC
2. TEMPERATURE RATING: -40°F [-40°C] TO 122°F [50°C]
3. FLAMMABILITY RATING: UL94V-0
4. NORTH AMERICAN AND DIN STYLE MOUNTING HOLES
5. FLUSH MOUNT COVER DESIGN. COVER MOUNTS FLUSH WITH SIDE WALLS

<b>GENERAL NOTES</b>		<b>Thomas &amp; Betts</b> <small>www.tnb.com</small>			
1. ALL DIMENSIONS ARE FOR REFERENCE ONLY. 2. DIMENSIONS IN BRACKETS [ ] ARE IN METRIC UNITS.					
<b>REVISIONS</b>					
2	SEE ERN 2006994 FOR APPROVAL SIGNATURES & RELEASE DATE. PROJECT NO: FD55400	ORIGINAL PROJECT NO / ( ERN NO ) <b>FD55400 / ( 2005724 )</b>	SHEET NO: <b>1 OF 6</b>	REV. NO: <b>2</b>	DRAWING NO: <b>WSD-000180</b>



CATALOG NO.	A (WIDTH)	B (HEIGHT)	C	D	COVER CATALOG NO.
TY75X1WP*6	.940 [23,88]	1.025 [26,04]	.430 [10,92]	.800 [20,32]	TY75CP*6
TY75X15WP*6		1.500 [38,1]	.830 [21,08]		
TY75X2WP*6		2.014 [51,16]	1.249 [31,72]		
TY1X1WP*6	1.250 [31,75]	1.025 [26,04]	.430 [10,92]	1.000 [25,4]	TY1CP*6
TY1X15WP*6		1.500 [38,1]	.830 [21,08]		
TY1X2WP*6		2.014 [51,16]	1.249 [31,72]		
TY1X3WP*6		3.000 [76,2]	2.175 [55,25]		
TY1X4WP*6		4.317 [109,65]	3.487 [88,57]		

\* = COLOR CODE

B = BLACK    G = GRAY    I = INTRINSIC BLUE    W = WHITE

**Thomas & Betts**  
www.tnb.com

DESCRIPTION:

**WIDE SLOT WIRING DUCT**

SHEET NO:

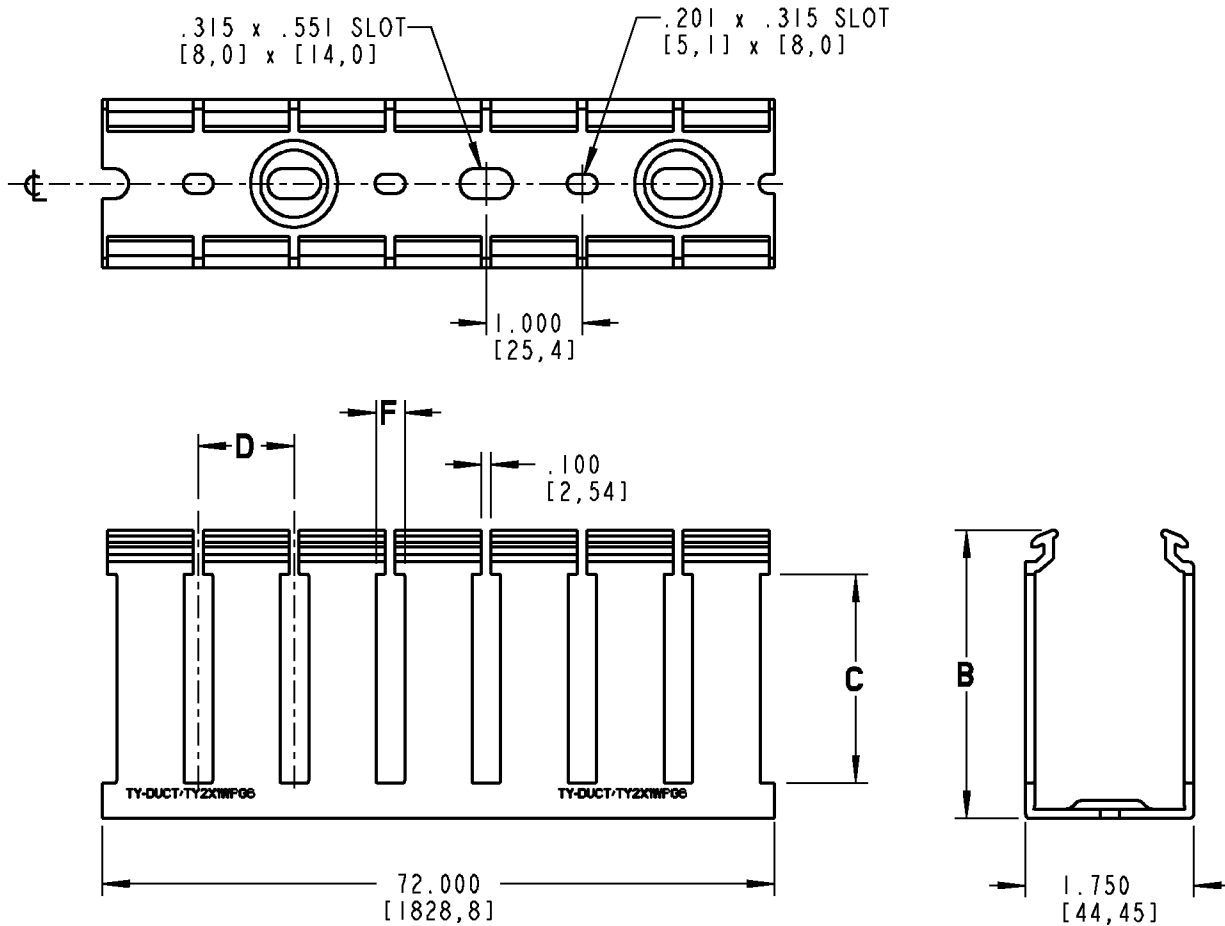
2 OF 6

REV. NO:

2

DRAWING NO:

**WSD-000180**



CATALOG NO.	B (HEIGHT)	C	D	F	COVER CATALOG NO.
TY15X1WP*6	1.025 [26,04]	.430 [10,92]	.800 [20,32]	.300 [7,62]	TY15CP*6
TY15X15WP*6	1.500 [38,1]	.830 [21,08]			
TY15X2WP*6	2.014 [51,16]	1.249 [31,72]			
TY15X3WP*6	3.000 [76,2]	2.175 [55,25]			
TY15X4WP*6	4.317 [109,65]	3.487 [88,57]			

\* = COLOR CODE

B = BLACK    G = GRAY    I = INTRINSIC BLUE    W = WHITE

**Thomas & Betts**  
www.tnb.com

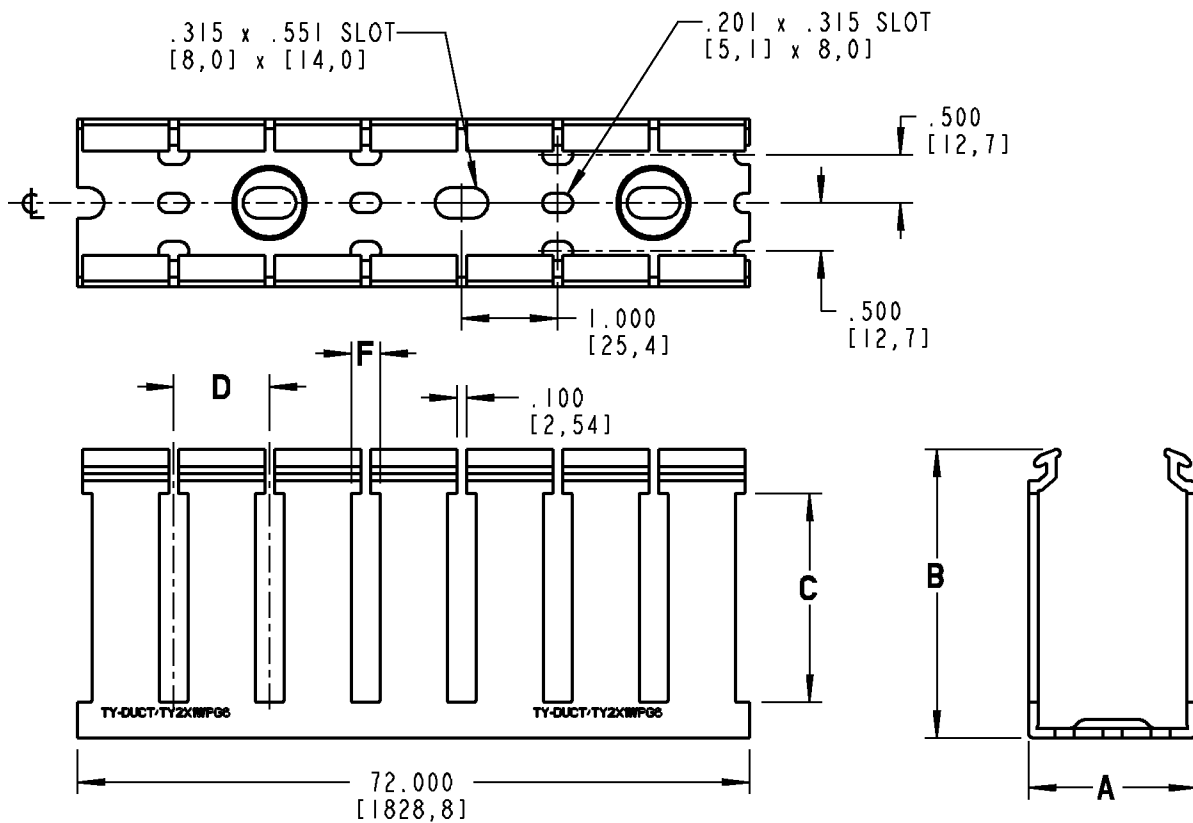
DESCRIPTION:

**WIDE SLOT WIRING DUCT**

SHEET NO:  
3 OF 6

REV. NO:  
2

DRAWING NO:  
**WSD-000180**



CATALOG NO.	A (WIDTH)	B (HEIGHT)	C	D	F	COVER CATALOG NO.
TY2X1WP*6	2.250 [57,15]	1.046 [26,57]	.430 [10,92]	.800 [20,32]	.300 [7,62]	TY2CP*6
TY2X15WP*6		1.521 [38,63]	.830 [21,08]			
TY2X2WP*6		2.034 [51,66]	1.249 [31,72]			
TY2X3WP*6		3.000 [76,2]	2.175 [55,25]	1.000 [25,4]		
TY2X4WP*6		4.332 [110,03]	3.487 [88,57]	1.333 [33,86]		
TY2X5WP*6		5.020 [127,51]	4.161 [105,69]	1.000 [25,4]		
TY25X2WP*6	2.750 [69,85]	2.034 [51,66]	1.249 [31,72]	.800 [20,32]	.300 [7,62]	TY25CP*6
TY25X3WP*6		3.000 [76,2]	2.175 [55,25]	1.000 [25,4]		
TY25X4WP*6		4.332 [110,03]	3.487 [88,57]	1.000 [25,4]		

\* = COLOR CODE

B = BLACK    G = GRAY    I = INTRINSIC BLUE    W = WHITE

**Thomas & Betts**  
www.tnb.com

DESCRIPTION:

**WIDE SLOT WIRING DUCT**

SHEET NO:

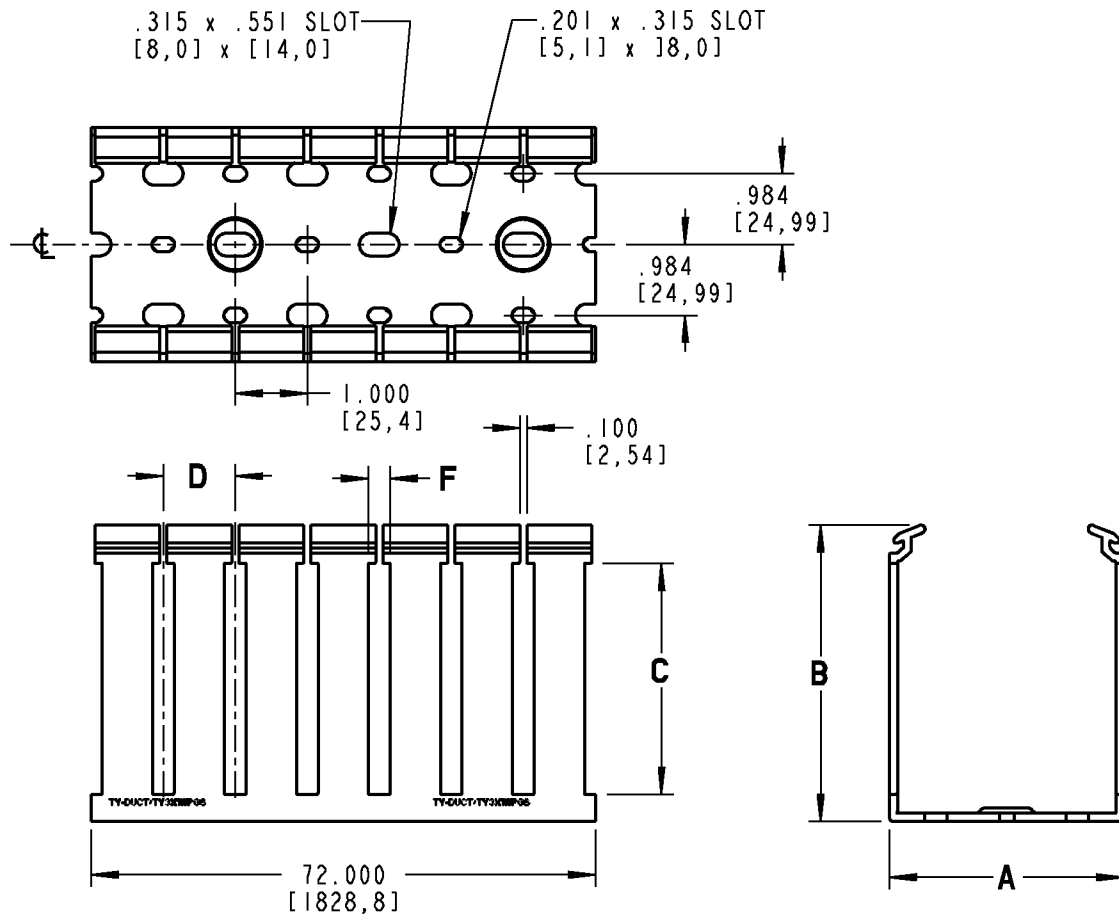
4 OF 6

REV. NO:

2

DRAWING NO:

**WSD-000180**



CATALOG NO.	A (WIDTH)	B (HEIGHT)	C	D	F	COVER CATALOG NO.
TY3X1WP*6	3.250 [82,55]	1.055 [26,8]	.430 [10,92]	.800 [20,32]	.300 [7,62]	TY3CP*6
TY3X2WP*6		2.081 [52,86]	1.249 [31,72]			
TY3X3WP*6		3.056 [77,62]	2.175 [55,25]	1.000 [25,4]		
TY3X4WP*6		4.387 [111,43]	3.487 [88,57]			
TY3X5WP*6		5.061 [128,55]	4.161 [105,69]	1.333 [33,86]		
TY4X15WP*6	4.250 [107,95]	1.567 [39,8]	.830 [21,08]	.800 [20,32]	.300 [7,62]	TY4CP*6
TY4X2WP*6		2.081 [52,86]	1.249 [31,72]			
TY4X3WP*6		3.056 [77,62]	2.175 [55,25]	1.000 [25,4]		
TY4X4WP*6		4.387 [111,43]	3.487 [88,57]			
TY4X5WP*6		5.061 [128,55]	4.161 [105,69]	1.333 [33,86]		
TY6X4WP*6	6.250 [158,75]	4.387 [111,43]	3.487 [88,57]	.800 [20,32]	.300 [7,62]	TY6CP*6

\* = COLOR CODE

B = BLACK    G = GRAY    I = INTRINSIC BLUE    W = WHITE

**Thomas & Betts**  
www.tnb.com

DESCRIPTION:

**WIDE SLOT WIRING DUCT**

SHEET NO:

5 OF 6

REV. NO:

2

DRAWING NO:

**WSD-000180**

NOMINAL DUCT SIZE W H	AREA SQUARE	ELECTRICAL																		DATA CABLE											
		8 AWG		10 AWG		12 AWG		14 AWG		16 AWG		18 AWG		22 AWG		24 AWG		UTP/CM CAT5E	UTP/CM CAT6	UTP/CM CAT6											
		THHN	Ø.216	THHN	Ø.153	THHN	Ø.122	MTW	Ø.158	THHN	Ø.105	MTW	Ø.139	MTW	Ø.165	THHN	Ø.096				MTW	Ø.125	THHN	Ø.084	MTW	Ø.113	THHN	Ø.065	MTW	Ø.085	THHN
.75 x 1.00	.750	5	9	14	9	19	11	8	23	14	30	17	51	3	1																
.75 x 1.50	1.125	7	14	22	13	29	17	12	35	21	46	25	76	5	2																
.75 x 2.00	1.500	9	18	29	17	39	22	16	47	27	61	34	101	7	2																
1.00 x 1.00	1.000	6	12	19	11	26	15	10	31	18	40	22	68	5	2																
1.00 x 1.50	1.500	9	18	29	17	39	22	16	47	27	61	34	101	7	2																
1.00 x 2.00	2.000	12	24	38	23	52	30	21	62	37	81	45	135	9	3																
1.00 x 3.00	3.000	18	37	58	34	78	44	31	93	55	121	67	203	14	5																
1.00 x 4.00	4.000	24	49	77	46	104	59	42	124	73	162	90	270	18	6																
1.50 x 1.00	1.500	9	18	29	17	39	22	16	47	27	61	34	101	7	2																
1.50 x 1.50	2.250	14	27	43	26	58	33	24	70	41	91	50	152	10	4																
1.50 x 2.00	3.000	18	37	58	34	78	44	31	93	55	121	67	203	14	5																
1.50 x 3.00	4.500	28	55	86	52	117	67	47	140	82	182	101	304	21	7																
1.50 x 4.00	6.000	37	73	115	69	155	89	63	186	110	243	134	406	27	10																
2.00 x 1.00	2.000	12	24	38	23	52	30	21	62	37	81	45	135	12	3																
2.00 x 1.50	3.000	18	37	58	34	78	44	31	93	55	121	67	203	18	5																
2.00 x 2.00	4.000	24	49	77	46	104	59	42	124	73	162	90	270	24	6																
2.00 x 3.00	6.000	37	73	115	69	155	89	63	186	110	243	134	406	36	10																
2.00 x 4.00	8.000	49	98	154	92	207	118	84	248	146	324	179	541	49	13																
2.00 x 5.00	10.000	61	122	192	114	259	148	105	310	183	405	224	676	61	16																
2.50 x 2.00	5.000	31	61	96	57	130	74	52	155	91	202	112	338	30	8																
2.50 x 3.00	7.500	46	92	144	86	194	111	79	233	137	304	168	507	46	12																
2.50 x 4.00	10.000	61	122	192	114	259	148	105	310	183	405	224	676	61	16																
3.00 x 1.00	3.000	18	37	58	34	78	44	31	93	55	121	67	203	18	5																
3.00 x 2.00	6.000	37	73	115	69	155	89	63	186	110	243	134	406	36	10																
3.00 x 3.00	9.000	55	110	173	103	233	133	94	279	165	364	201	609	55	14																
3.00 x 4.00	12.000	73	146	230	137	311	177	126	372	219	486	269	811	73	19																
3.00 x 5.00	15.000	92	183	288	172	389	222	157	465	274	607	336	1014	91	24																
4.00 x 1.50	6.000	37	73	115	69	155	89	63	186	110	243	134	406	36	10																
4.00 x 2.00	8.000	49	98	154	92	207	118	84	248	146	324	179	541	49	13																
4.00 x 3.00	12.000	73	146	230	137	311	177	126	372	219	486	269	811	73	19																
4.00 x 4.00	16.000	98	195	307	183	415	237	168	496	293	648	358	1082	97	26																
4.00 x 5.00	20.000	122	244	384	229	518	296	210	620	366	810	448	1352	121	32																
6.00 x 4.00	24.000	147	293	461	275	622	355	252	744	439	972	537	1623	146	39																

NOTE: WIRE FILL IS BASED ON 50% FILL OF DUCT AREA



DESCRIPTION:

**WIDE SLOT WIRING DUCT**

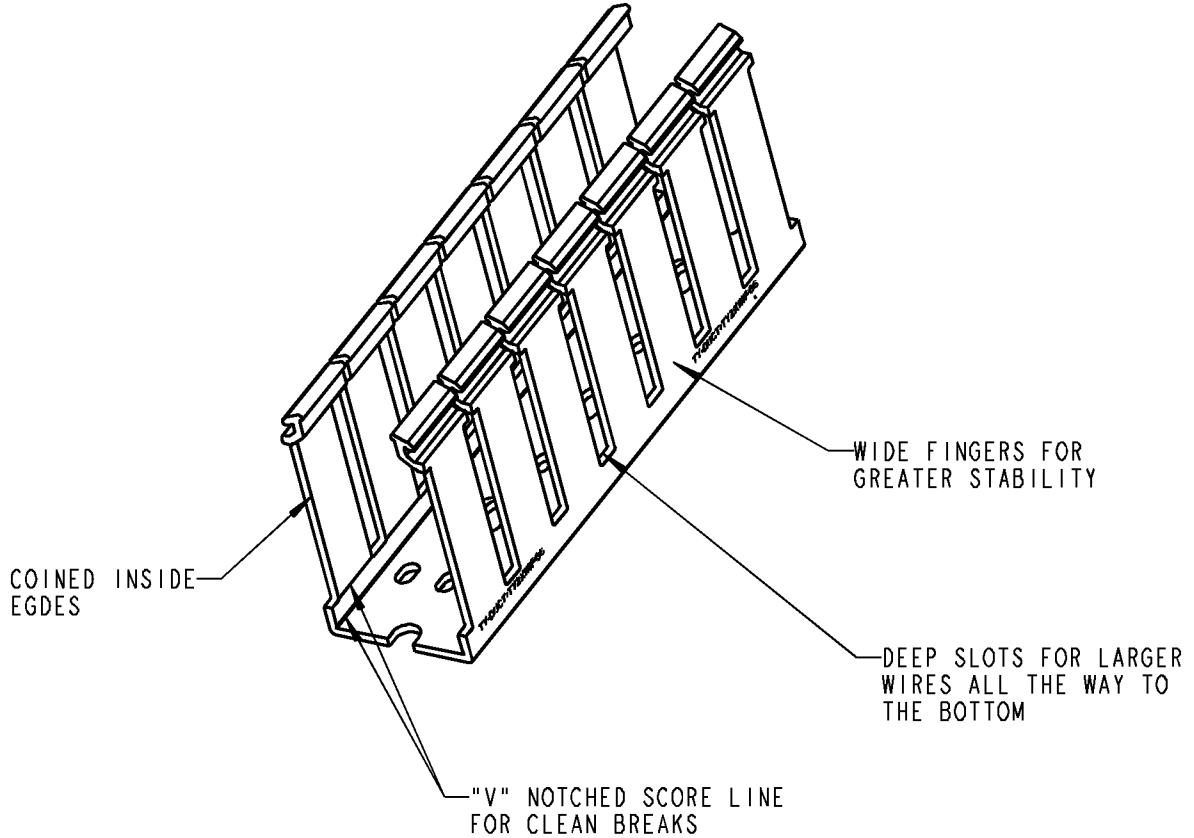
SHEET NO:  
6 OF 6

REV. NO:  
2

DRAWING NO:  
WSD-000180



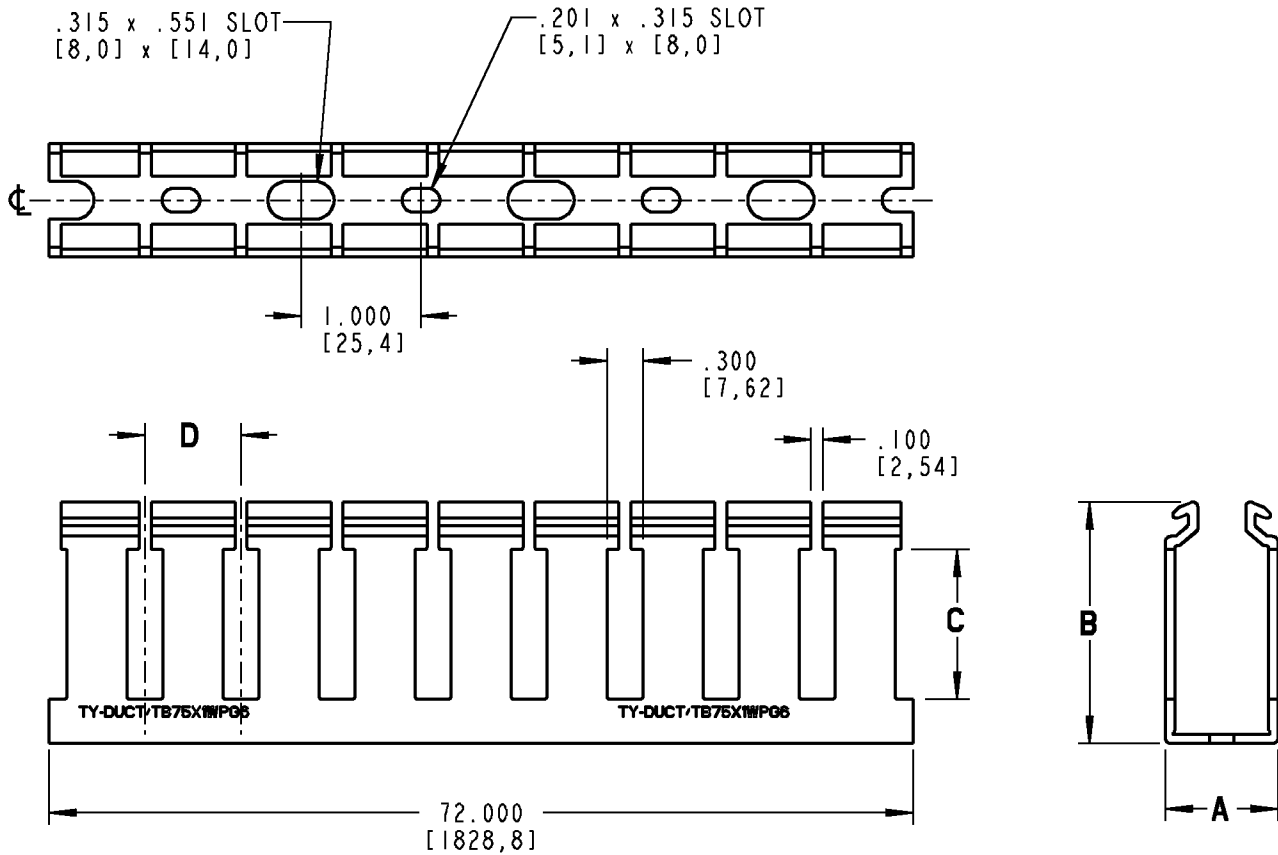
# Ty-Duct™



**NOTES:**

1. MATERIAL: RIGID PVC
2. TEMPERATURE RATING: -40°F [-40°C] TO 122°F [50°C]
3. FLAMMABILITY RATING: UL94V-0
4. NORTH AMERICAN AND DIN STYLE MOUNTING HOLES
5. FLUSH MOUNT COVER DESIGN. COVER MOUNTS FLUSH WITH SIDE WALLS

<b>GENERAL NOTES</b>		<b>Thomas &amp; Betts</b> <small>www.tnb.com</small>			
1. ALL DIMENSIONS ARE FOR REFERENCE ONLY. 2. DIMENSIONS IN BRACKETS [ ] ARE IN METRIC UNITS.					
<b>REVISIONS</b>					
2	SEE ERN 2006994 FOR APPROVAL SIGNATURES & RELEASE DATE. PROJECT NO: FD55400	ORIGINAL PROJECT NO / ( ERN NO ) <b>FD55400 / ( 2005724 )</b>	SHEET NO: <b>1 OF 6</b>	REV. NO: <b>2</b>	DRAWING NO: <b>WSD-000180</b>



CATALOG NO.	A (WIDTH)	B (HEIGHT)	C	D	COVER CATALOG NO.
TY75X1WP*6	.940 [23,88]	1.025 [26,04]	.430 [10,92]	.800 [20,32]	TY75CP*6
TY75X15WP*6		1.500 [38,1]	.830 [21,08]		
TY75X2WP*6		2.014 [51,16]	1.249 [31,72]		
TY1X1WP*6	1.250 [31,75]	1.025 [26,04]	.430 [10,92]		TY1CP*6
TY1X15WP*6		1.500 [38,1]	.830 [21,08]		
TY1X2WP*6		2.014 [51,16]	1.249 [31,72]		
TY1X3WP*6		3.000 [76,2]	2.175 [55,25]	1.000 [25,4]	
TY1X4WP*6		4.317 [109,65]	3.487 [88,57]	1.000 [25,4]	

\* = COLOR CODE

B = BLACK    G = GRAY    I = INTRINSIC BLUE    W = WHITE

**Thomas & Betts**  
www.tnb.com

DESCRIPTION:

**WIDE SLOT WIRING DUCT**

SHEET NO:

2 OF 6

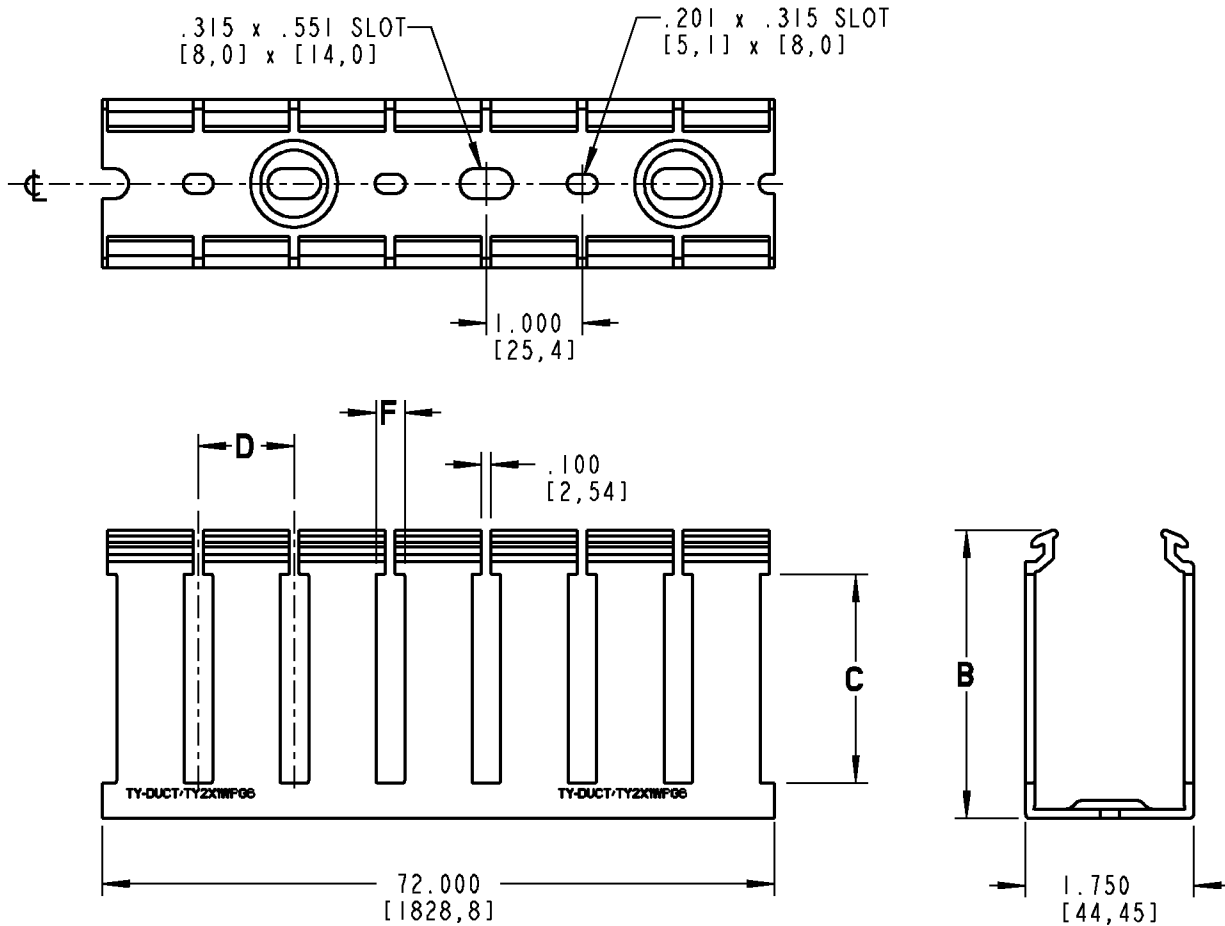
REV. NO:

2

DRAWING NO:

**WSD-000180**





CATALOG NO.	B (HEIGHT)	C	D	F	COVER CATALOG NO.
TY15X1WP*6	1.025 [26,04]	.430 [10,92]	.800 [20,32]	.300 [7,62]	TY15CP*6
TY15X15WP*6	1.500 [38,1]	.830 [21,08]			
TY15X2WP*6	2.014 [51,16]	1.249 [31,72]			
TY15X3WP*6	3.000 [76,2]	2.175 [55,25]			
TY15X4WP*6	4.317 [109,65]	3.487 [88,57]			

\* = COLOR CODE

B = BLACK    G = GRAY    I = INTRINSIC BLUE    W = WHITE

**Thomas & Betts**  
www.tnb.com

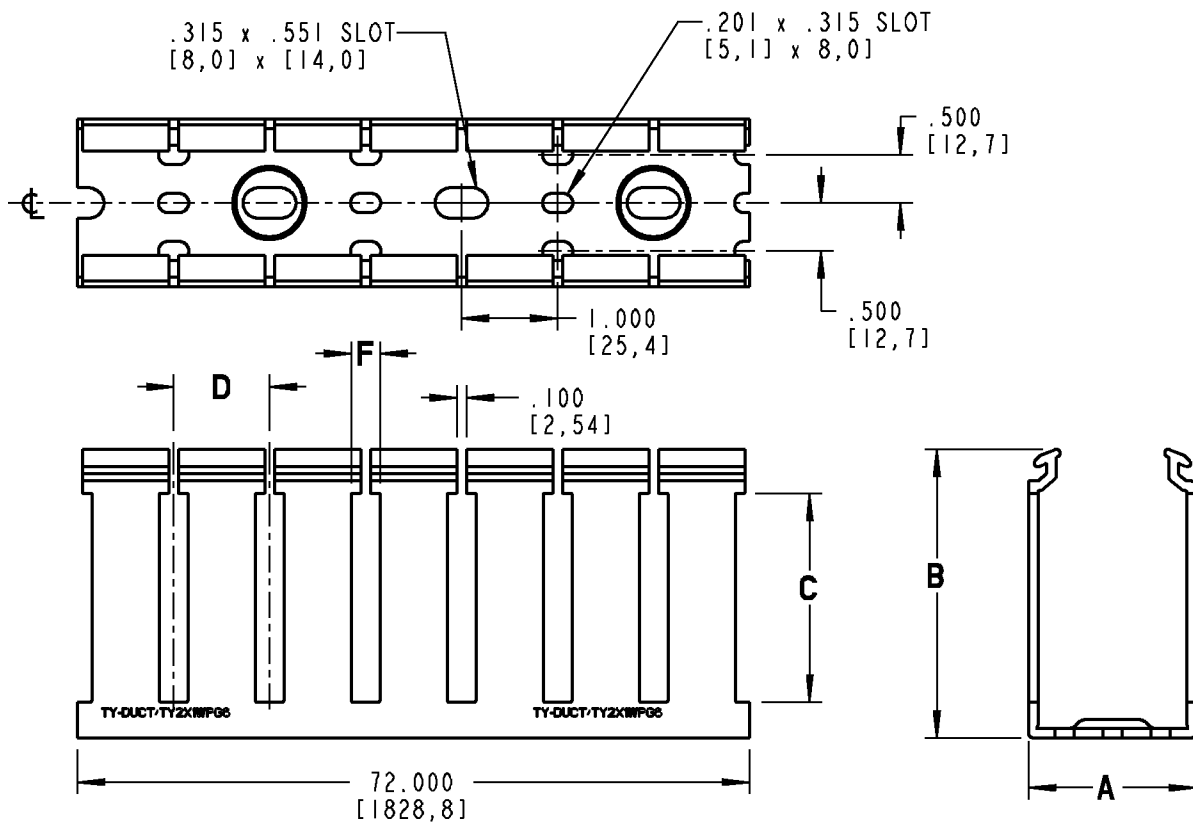
DESCRIPTION:

**WIDE SLOT WIRING DUCT**

SHEET NO:  
3 OF 6

REV. NO:  
2

DRAWING NO:  
WSD-000180



CATALOG NO.	A (WIDTH)	B (HEIGHT)	C	D	F	COVER CATALOG NO.
TY2X1WP*6	2.250 [57,15]	1.046 [26,57]	.430 [10,92]	.800 [20,32]	.300 [7,62]	TY2CP*6
TY2X15WP*6		1.521 [38,63]	.830 [21,08]			
TY2X2WP*6		2.034 [51,66]	1.249 [31,72]			
TY2X3WP*6		3.000 [76,2]	2.175 [55,25]	1.000 [25,4]		
TY2X4WP*6		4.332 [110,03]	3.487 [88,57]	1.333 [33,86]		
TY2X5WP*6		5.020 [127,51]	4.161 [105,69]	1.000 [25,4]		
TY25X2WP*6	2.750 [69,85]	2.034 [51,66]	1.249 [31,72]	.800 [20,32]	.300 [7,62]	TY25CP*6
TY25X3WP*6		3.000 [76,2]	2.175 [55,25]	1.000 [25,4]		
TY25X4WP*6		4.332 [110,03]	3.487 [88,57]	1.000 [25,4]		

\* = COLOR CODE

B = BLACK    G = GRAY    I = INTRINSIC BLUE    W = WHITE

**Thomas & Betts**  
www.tnb.com

DESCRIPTION:

**WIDE SLOT WIRING DUCT**

SHEET NO:

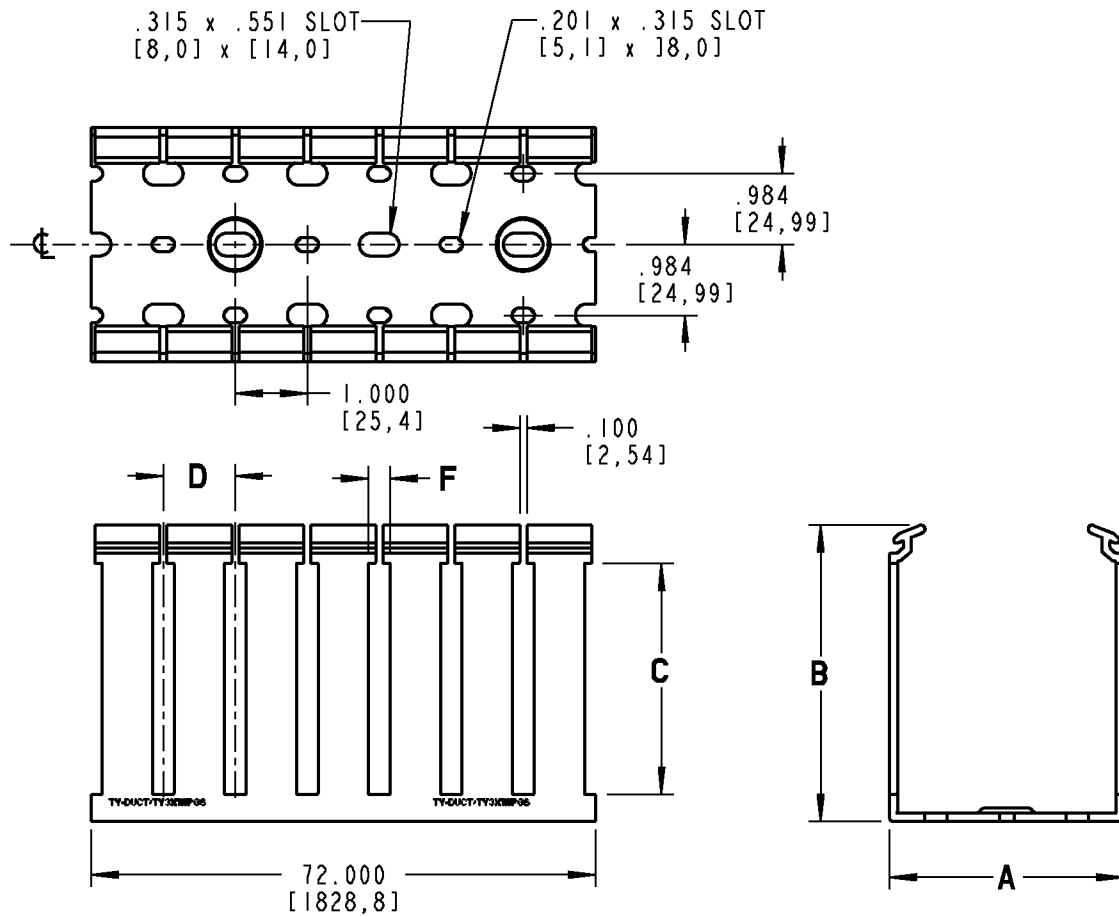
4 OF 6

REV. NO:

2

DRAWING NO:

**WSD-000180**



CATALOG NO.	A (WIDTH)	B (HEIGHT)	C	D	F	COVER CATALOG NO.
TY3X1WP*6	3.250 [82,55]	1.055 [26,8]	.430 [10,92]	.800 [20,32]	.300 [7,62]	TY3CP*6
TY3X2WP*6		2.081 [52,86]	1.249 [31,72]			
TY3X3WP*6		3.056 [77,62]	2.175 [55,25]	1.000 [25,4]		
TY3X4WP*6		4.387 [111,43]	3.487 [88,57]			
TY3X5WP*6		5.061 [128,55]	4.161 [105,69]	1.333 [33,86]		
TY4X15WP*6	4.250 [107,95]	1.567 [39,8]	.830 [21,08]	.800 [20,32]	.300 [7,62]	TY4CP*6
TY4X2WP*6		2.081 [52,86]	1.249 [31,72]			
TY4X3WP*6		3.056 [77,62]	2.175 [55,25]	1.000 [25,4]		
TY4X4WP*6		4.387 [111,43]	3.487 [88,57]			
TY4X5WP*6		5.061 [128,55]	4.161 [105,69]	1.333 [33,86]		
TY6X4WP*6	6.250 [158,75]	4.387 [111,43]	3.487 [88,57]	.800 [20,32]	.300 [7,62]	TY6CP*6

\* = COLOR CODE

B = BLACK    G = GRAY    I = INTRINSIC BLUE    W = WHITE

**Thomas & Betts**  
www.tnb.com

DESCRIPTION:

**WIDE SLOT WIRING DUCT**

SHEET NO:

5 OF 6

REV. NO:

2

DRAWING NO:

**WSD-000180**

NOMINAL DUCT SIZE W H	AREA SQUARE	ELECTRICAL																		DATA CABLE	
		8 AWG		10 AWG		12 AWG		14 AWG		16 AWG		18 AWG		22 AWG		24 AWG		UTP/CM CAT6	UTP/CM CAT5E		
		THHN	THHN	THHN	THHN	THHN	THHN	THHN	THHN	THHN	THHN	THHN	THHN	THHN	THHN	THHN	THHN			THHN	THHN
.75 x 1.00	.750	5	9	14	9	19	11	8	23	14	30	17	51	5	3	1					
.75 x 1.50	1.125	7	14	22	13	29	17	12	35	21	46	25	76	7	5	2					
.75 x 2.00	1.500	9	18	29	17	39	22	16	47	27	61	34	101	9	7	2					
1.00 x 1.00	1.000	6	12	19	11	26	15	10	31	18	40	22	68	6	5	2					
1.00 x 1.50	1.500	9	18	29	17	39	22	16	47	27	61	34	101	9	7	2					
1.00 x 2.00	2.000	12	24	38	23	52	30	21	62	37	81	45	135	12	9	3					
1.00 x 3.00	3.000	18	37	58	34	78	44	31	93	55	121	67	203	18	14	5					
1.00 x 4.00	4.000	24	49	77	46	104	59	42	124	73	162	90	270	24	18	6					
1.50 x 1.00	1.500	9	18	29	17	39	22	16	47	27	61	34	101	9	7	2					
1.50 x 1.50	2.250	14	27	43	26	58	33	24	70	41	91	50	152	14	10	4					
1.50 x 2.00	3.000	18	37	58	34	78	44	31	93	55	121	67	203	18	14	5					
1.50 x 3.00	4.500	28	55	86	52	117	67	47	140	82	182	101	304	27	21	7					
1.50 x 4.00	6.000	37	73	115	69	155	89	63	186	110	243	134	406	36	27	10					
2.00 x 1.00	2.000	12	24	38	23	52	30	21	62	37	81	45	135	12	9	3					
2.00 x 1.50	3.000	18	37	58	34	78	44	31	93	55	121	67	203	18	14	5					
2.00 x 2.00	4.000	24	49	77	46	104	59	42	124	73	162	90	270	24	18	6					
2.00 x 3.00	6.000	37	73	115	69	155	89	63	186	110	243	134	406	36	27	10					
2.00 x 4.00	8.000	49	98	154	92	207	118	84	248	146	324	179	541	49	37	13					
2.00 x 5.00	10.000	61	122	192	114	259	148	105	310	183	405	224	676	61	46	16					
2.50 x 2.00	5.000	31	61	96	57	130	74	52	155	91	202	112	338	30	23	8					
2.50 x 3.00	7.500	46	92	144	86	194	111	79	233	137	304	168	507	46	34	12					
2.50 x 4.00	10.000	61	122	192	114	259	148	105	310	183	405	224	676	61	46	16					
3.00 x 1.00	3.000	18	37	58	34	78	44	31	93	55	121	67	203	18	14	5					
3.00 x 2.00	6.000	37	73	115	69	155	89	63	186	110	243	134	406	36	27	10					
3.00 x 3.00	9.000	55	110	173	103	233	133	94	279	165	364	201	609	55	41	14					
3.00 x 4.00	12.000	73	146	230	137	311	177	126	372	219	486	269	811	73	55	19					
3.00 x 5.00	15.000	92	183	288	172	389	222	157	465	274	607	336	1014	91	69	24					
4.00 x 1.50	6.000	37	73	115	69	155	89	63	186	110	243	134	406	36	27	10					
4.00 x 2.00	8.000	49	98	154	92	207	118	84	248	146	324	179	541	49	37	13					
4.00 x 3.00	12.000	73	146	230	137	311	177	126	372	219	486	269	811	73	55	19					
4.00 x 4.00	16.000	98	195	307	183	415	237	168	496	293	648	358	1082	97	73	26					
4.00 x 5.00	20.000	122	244	384	229	518	296	210	620	366	810	448	1352	121	91	32					
6.00 x 4.00	24.000	147	293	461	275	622	355	252	744	439	912	537	1623	146	110	39					

**NOTE: WIRE FILL IS BASED ON 50% FILL OF DUCT AREA**



DESCRIPTION:

**WIDE SLOT WIRING DUCT**

SHEET NO:  
**6 OF 6**

REV. NO:  
**2**

DRAWING NO:  
**WSD-000180**