



Made in the USA Since 1946

Liquid Tight Connectors Reusable Fittings

- Industrial specification grade, screw machined steel, zinc plated
- UL Rated Liquid Tight
- Includes sealing washer
- Bonds conduit to box or enclosure
- Corrosion resistant protection from moisture & oils
- Designed to protect against excessive vibration

Straight Connectors (STR)

| Cat. # | Size | Unit Ctn | Std Pkg | WT/ 100 |
|----------|--------|----------|---------|---------|
| STR38 | 3/8" | 20 | 200 | 10 |
| STR50 | 1/2" | 20 | 200 | 13 |
| STR75 | 3/4" | 20 | 100 | 18 |
| STR100 | 1" | 5 | 50 | 32 |
| STR125 | 1-1/4" | 5 | 25 | 44 |
| STR150 | 1-1/2" | 5 | 25 | 66 |
| STR200 | 2" | 5 | 25 | 85 |
| STR250** | 2-1/2" | - | 5 | 260 |
| STR300** | 3" | - | 4 | 360 |
| STR350** | 3-1/2" | - | 4 | 445 |
| STR400** | 4" | - | 2 | 520 |
| STR500** | 5" | - | 1 | 1150 |

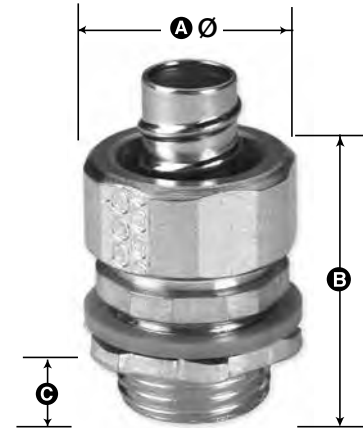
6" connectors available upon request

** Malleable Iron

Dimensional Table

| Cat. # | A Diameter | B Overall Length | C Length of Thread |
|----------|------------|------------------|--------------------|
| STR38/B | 1.09 | 1.19 | .63 |
| STR50/B | 1.19 | 1.34 | .63 |
| STR75/B | 1.43 | 1.43 | .63 |
| STR100/B | 1.75 | 1.63 | .66 |
| STR125/B | 2.16 | 1.84 | .67 |
| STR150/B | 2.38 | 2.00 | .72 |
| STR200/B | 2.88 | 2.13 | .72 |
| STR250/B | 4.00 | 3.25 | 1.50 |
| STR300/B | 4.63 | 3.88 | 1.50 |
| STR350/B | 5.50 | 4.00 | 1.50 |
| STR400/B | 5.82 | 4.00 | 1.63 |
| STR500/B | 7.00 | 5.00 | 1.63 |

SPEC-grade



E93605



LR61799

UL rated suitable for hazardous locations
Class I, Div. 2; Class II, Div. 1 and 2;
Class III, Div. 1 and 2; NEC 501-4(b), 505-4(a), 503-3(a)

Featuring:
EZ-Torque Compression Nut

Straight Connectors with Insulated Throat

| Cat. # | Size | Unit Ctn | Std Pkg | WT/ 100 |
|-----------|--------|----------|---------|---------|
| STR38B | 3/8" | 20 | 200 | 10 |
| STR50B | 1/2" | 20 | 200 | 13 |
| STR75B | 3/4" | 20 | 100 | 18 |
| STR100B | 1" | 5 | 50 | 32 |
| STR125B | 1-1/4" | 5 | 25 | 44 |
| STR150B | 1-1/2" | 5 | 25 | 66 |
| STR200B | 2" | 5 | 25 | 85 |
| STR250B** | 2-1/2" | - | 5 | 260 |
| STR300B** | 3" | - | 4 | 360 |
| STR350B** | 3-1/2" | - | 4 | 445 |
| STR400B** | 4" | - | 2 | 520 |
| STR500B** | 5" | - | 1 | 1150 |

6" connectors available upon request

** Malleable Iron



Made in the USA Since 1946

Liquid Tight Connectors 90° Reusable Fittings

- Industrial specification grade steel, zinc plated
- Malleable iron body
- UL rated Liquid Tight
- Includes sealing washer
- Bonds conduit to box or enclosure
- Corrosion resistant protection from moisture & oils
- Designed to protect against excessive vibration

90° Angle Connectors (STR)

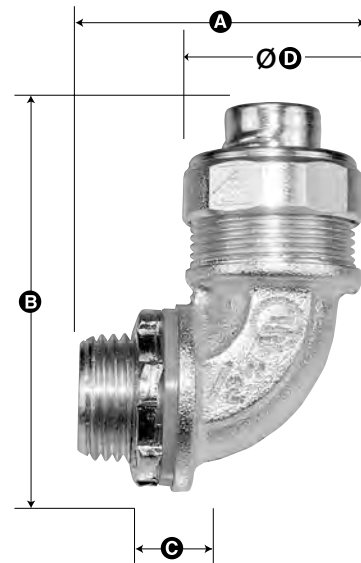
| Cat. # | Size | Unit Ctn | Std Pkg | WT/ 100 |
|------------|--------|----------|---------|---------|
| STR3890** | 3/8" | 10 | 100 | 24 |
| STR5090** | 1/2" | 10 | 100 | 24 |
| STR7590** | 3/4" | 5 | 50 | 38 |
| STR10090** | 1" | 5 | 25 | 70 |
| STR12590** | 1-1/4" | 2 | 20 | 88 |
| STR15090** | 1-1/2" | 1 | 10 | 125 |
| STR20090** | 2" | 1 | 5 | 180 |
| STR25090 | 2-1/2" | - | 2 | 625 |
| STR30090 | 3" | - | 1 | 900 |
| STR35090 | 3-1/2" | - | 1 | 1000 |
| STR40090 | 4" | - | 2 | 1500 |

**Steel Nut

Dimensional Table

| Cat. # | A | B | C Length of Thread | D Ø |
|------------|-------|-------|--------------------------|--------|
| STR3890/B | 1.25 | 1.59 | .59 | 1.09 |
| STR5090/B | 1.25 | 1.66 | .59 | 1.19 |
| STR7590/B | 1.53 | 1.78 | .59 | 1.43 |
| STR10090/B | 1.84 | 2.19 | .66 | 1.75 |
| STR12590/B | 1.94 | 2.38 | .69 | 2.16 |
| STR15090/B | 2.09 | 2.63 | .72 | 2.38 |
| STR20090/B | 2.41 | 3.06 | .72 | 2.88 |
| STR25090/B | 8.00 | 9.25 | 1.50 | ? |
| STR30090/B | 8.75 | 10.50 | 1.50 | ? |
| STR35090/B | 10.93 | 11.50 | 1.50 | ? |
| STR40090/B | 12.63 | 13.00 | 1.50 | ? |

SPEC-grade



E93605



LR61799

UL rated suitable for hazardous locations
Class I, Div. 2; Class II, Div. 1 and 2;
Class III, Div. 1 and 2; NEC 501-4(b), 505-4(a), 503-3(a)

Featuring:
EZ-Torque Compression Nut

90° Angle Connectors with Insulated Throat

| Cat. # | Size | Unit Ctn | Std Pkg | WT/ 100 |
|-------------|--------|----------|---------|---------|
| STR3890B** | 3/8" | 10 | 100 | 24 |
| STR5090B** | 1/2" | 10 | 100 | 24 |
| STR7590B** | 3/4" | 5 | 50 | 38 |
| STR10090B** | 1" | 5 | 25 | 70 |
| STR12590B** | 1-1/4" | 2 | 20 | 88 |
| STR15090B** | 1-1/2" | 1 | 10 | 125 |
| STR20090B** | 2" | 1 | 5 | 180 |
| STR25090B | 2-1/2" | - | 2 | 625 |
| STR30090B | 3" | - | 1 | 900 |
| STR35090B | 3-1/2" | - | 1 | 1000 |
| STR40090B | 4" | - | 2 | 1500 |

**Steel Nut



Made in the USA Since 1946

Liquid Tight Connectors 45° Reusable Fittings

- Industrial specification grade steel, zinc plated
- Malleable iron body
- UL rated Liquid Tight
- Includes sealing washer
- Bonds conduit to box or enclosure
- Corrosion resistant protection from moisture & oils
- Designed to protect against excessive vibration

45° Angle Connectors (STR)

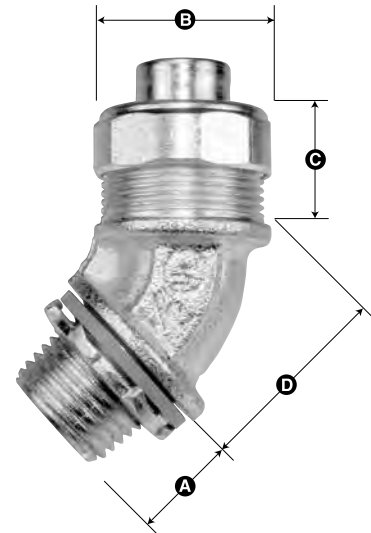
| Cat. # | Size | Unit Ctn | Std Pkg | WT/100 |
|------------|--------|----------|---------|--------|
| STR3845** | 3/8" | 10 | 100 | 21 |
| STR5045** | 1/2" | 10 | 100 | 23 |
| STR7545** | 3/4" | 10 | 50 | 32 |
| STR10045** | 1" | 5 | 50 | 53 |
| STR12545** | 1-1/4" | 5 | 25 | 69 |
| STR15045** | 1-1/2" | 3 | 15 | 99 |
| STR20045** | 2" | 1 | 10 | 152 |
| STR25045 | 2-1/2" | - | 2 | 478 |
| STR30045 | 3" | - | 2 | 775 |
| STR35045 | 3-1/2" | - | 1 | 880 |
| STR40045 | 4" | - | 1 | 1000 |

** Steel Nut

Dimensional Table

| Cat. # | A | B | C | D |
|------------|------|------|------|------|
| STR3845/B | .59 | 1.09 | 1.22 | 1.03 |
| STR5045/B | .59 | 1.19 | 1.32 | 1.03 |
| STR7545/B | .59 | 1.43 | 1.38 | 1.13 |
| STR10045/B | .66 | 1.75 | 1.66 | 1.25 |
| STR12545/B | .69 | 2.16 | 1.72 | 1.34 |
| STR15045/B | .72 | 2.38 | 2.00 | 1.47 |
| STR20045/B | .72 | 2.88 | 2.28 | 1.63 |
| STR25045/B | 1.50 | 4.00 | 2.25 | 4.75 |
| STR30045/B | 1.50 | 4.63 | 2.50 | 5.50 |
| STR35045/B | 1.56 | 5.25 | 2.50 | 6.50 |
| STR40045/B | 1.63 | 5.81 | 2.50 | 7.75 |

SPEC-grade



E93605



LR61799

UL rated suitable for hazardous locations
Class I, Div. 2; Class II, Div. 1 and 2;
Class III, Div. 1 and 2; NEC 501-4(b), 502-4(a), 503-3(a)

Featuring:
EZ-Torque Compression Nut

45° Angle Connectors with Insulated Throat

| Cat. # | Size | Unit Ctn | Std Pkg | WT/100 |
|-------------|--------|----------|---------|--------|
| STR3845B** | 3/8" | 10 | 100 | 21 |
| STR5045B** | 1/2" | 10 | 100 | 23 |
| STR7545B** | 3/4" | 10 | 50 | 32 |
| STR10045B** | 1" | 5 | 50 | 53 |
| STR12545B** | 1-1/4" | 5 | 25 | 69 |
| STR15045B** | 1-1/2" | 3 | 15 | 99 |
| STR20045B** | 2" | 1 | 10 | 152 |
| STR25045B | 2-1/2" | - | 2 | 478 |
| STR30045B | 3" | - | 2 | 775 |
| STR35045B | 3-1/2" | - | 1 | 880 |
| STR40045B | 4" | - | 1 | 1000 |

** Steel Nut



Made in the USA Since 1946

Liquid Tight Connectors Grounding Type with Aluminum Lugs

- A quick, effective solution to connecting liquid tight conduit while terminating a bonding connector in one action
- Sleek screw machined bodies and nuts promote easy installation
- Strong construction and long ferrule prevent pullouts
- All components are reusable
- Furnished with locknut and sealing washer

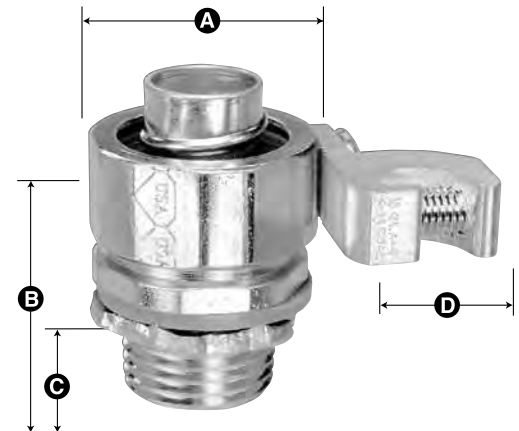
Straight Connectors (STR)

| Cat. # | Size | Unit Ctn | Std Pkg | WT/100 |
|----------|--------|----------|---------|--------|
| STR38GL | 3/8" | 25 | 125 | 12 |
| STR50GL | 1/2" | 25 | 125 | 15 |
| STR75GL | 3/4" | 25 | 125 | 20 |
| STR100GL | 1" | 10 | 50 | 34 |
| STR125GL | 1-1/4" | 5 | 25 | 46 |
| STR150GL | 1-1/2" | 5 | 25 | 68 |
| STR200GL | 2" | 2 | 10 | 87 |
| STR250GL | 2-1/2" | - | 5 | 267 |
| STR300GL | 3" | - | 4 | 367 |
| STR350GL | 3-1/2" | - | 3 | 464 |
| STR400GL | 4" | - | 2 | 539 |

Dimensional Table

| Cat. # | A | B | C | D | Wire Size | |
|----------|----------|----------------|------------------|---------------|-----------|-----|
| | Diameter | Overall Length | Length of Thread | Length of Lug | Min | Max |
| STR38GL | 1.09 | 1.19 | .63 | .750 | 14 | 4 |
| STR50GL | 1.19 | 1.34 | .63 | .750 | 14 | 4 |
| STR75GL | 1.43 | 1.43 | .63 | .750 | 14 | 4 |
| STR100GL | 1.75 | 1.63 | .66 | .750 | 14 | 4 |
| STR125GL | 2.16 | 1.84 | .67 | .750 | 14 | 4 |
| STR150GL | 2.38 | 2.00 | .72 | .750 | 14 | 4 |
| STR200GL | 2.88 | 2.13 | .72 | .750 | 14 | 4 |
| STR250GL | 4.00 | 3.25 | 1.50 | 1.093 | 8 | 110 |
| STR300GL | 4.63 | 3.88 | 1.50 | 1.093 | 8 | 110 |
| STR350GL | 5.50 | 4.00 | 1.50 | 1.687 | 6 | 250 |
| STR400GL | 5.82 | 4.00 | 1.63 | 1.687 | 6 | 250 |

SPEC-grade



UL rated suitable for hazardous locations
Class I, Div. 2; Class II, Div. 1 and 2;
Class III, Div. 1 and 2; NEC 501-4(b), 502-4(a), 503-3(a)

Featuring:
EZ-Torque Compression Nut

Straight Connectors with Insulated Throat

| Cat. # | Size | Unit Ctn | Std Pkg | WT/100 |
|-----------|--------|----------|---------|--------|
| STR38BGL | 3/8" | 25 | 125 | 12 |
| STR50BGL | 1/2" | 25 | 125 | 15 |
| STR75BGL | 3/4" | 25 | 125 | 20 |
| STR100BGL | 1" | 10 | 50 | 34 |
| STR125BGL | 1-1/4" | 5 | 25 | 46 |
| STR150BGL | 1-1/2" | 5 | 25 | 68 |
| STR200BGL | 2" | 2 | 10 | 87 |
| STR250BGL | 2-1/2" | - | 5 | 267 |
| STR300BGL | 3" | - | 4 | 367 |
| STR350BGL | 3-1/2" | - | 3 | 464 |
| STR400BGL | 4" | - | 2 | 539 |

AMERICAN FITTINGS Corporation



Made in the USA Since 1946

LIQUID TIGHT CONNECTORS
Grounding Type with Aluminum Lugs: 90° Angle
Size Range: 3/8" to 4"

Liquid Tight Connectors 90° Grounding Type with Aluminum Lugs

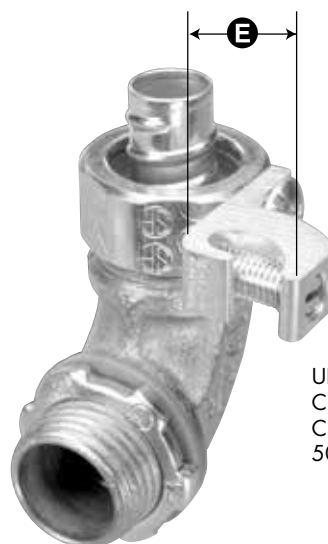
- A quick, effective solution to connecting liquid tight conduit while terminating a bonding connector in one action
- Strong construction and long ferrule prevent pullouts
- All components are reusable
- Furnished with locknut and sealing washer

90° Angle Connectors (STR)

| Cat. # | Size | Unit Ctn | Std Pkg | WT/ 100 |
|------------|--------|----------|---------|---------|
| STR3890GL | 3/8" | 20 | 100 | 26 |
| STR5090GL | 1/2" | 20 | 100 | 26 |
| STR7590GL | 3/4" | 10 | 50 | 40 |
| STR10090GL | 1" | 5 | 25 | 72 |
| STR12590GL | 1-1/4" | 4 | 20 | 90 |
| STR15090GL | 1-1/2" | 3 | 15 | 127 |
| STR20090GL | 2" | 2 | 10 | 182 |
| STR25090GL | 2-1/2" | - | 2 | 632 |
| STR30090GL | 3" | - | 1 | 907 |
| STR35090GL | 3-1/2" | - | 1 | 1019 |
| STR40090GL | 4" | - | 2 | 1519 |

90° Angle Connectors with Insulated Throat

| Cat. # | Size | Unit Ctn | Std Pkg | WT/ 100 |
|------------|--------|----------|---------|---------|
| STR3890GL | 3/8" | 20 | 100 | 26 |
| STR5090GL | 1/2" | 20 | 100 | 26 |
| STR7590GL | 3/4" | 10 | 50 | 40 |
| STR10090GL | 1" | 5 | 25 | 72 |
| STR12590GL | 1-1/4" | 4 | 20 | 90 |
| STR15090GL | 1-1/2" | 3 | 15 | 127 |
| STR20090GL | 2" | 2 | 10 | 182 |
| STR25090GL | 2-1/2" | - | 2 | 632 |
| STR30090GL | 3" | - | 1 | 907 |
| STR35090GL | 3-1/2" | - | 1 | 1019 |
| STR40090GL | 4" | - | 2 | 1519 |

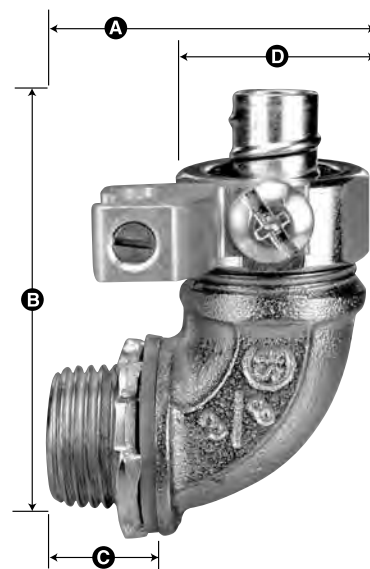


SPEC-grade



E258095

UL rated suitable for hazardous locations
Class I, Div. 2; Class II, Div. 1 and 2;
Class III, Div. 1 and 2; NEC 501-4(b),
502-4(a), 503-3(a)



Featuring:
EZ-Torque Compression Nut

Dimensional Table

| Cat. # | A | B | C | D | E | Wire Min | Size Max |
|------------|-------|-------|------|------|-------|----------|----------|
| STR3890GL | 1.25 | 1.59 | .59 | 1.09 | .750 | 14 | 4 |
| STR5090GL | 1.25 | 1.66 | .59 | 1.19 | .750 | 14 | 4 |
| STR7590GL | 1.53 | 1.78 | .59 | 1.43 | .750 | 14 | 4 |
| STR10090GL | 1.84 | 2.19 | .66 | 1.75 | .750 | 14 | 4 |
| STR12590GL | 1.94 | 2.38 | .69 | 2.16 | .750 | 14 | 4 |
| STR15090GL | 2.09 | 2.63 | .72 | 2.38 | .750 | 14 | 4 |
| STR20090GL | 2.41 | 3.06 | .72 | 2.88 | .750 | 14 | 4 |
| STR25090GL | 8.00 | 9.25 | 1.50 | 4.00 | 1.093 | 8 | 110 |
| STR30090GL | 8.75 | 10.50 | 1.50 | 4.63 | 1.093 | 8 | 110 |
| STR35090GL | 10.93 | 11.50 | 1.50 | 5.50 | 1.687 | 6 | 250 |
| STR40090GL | 12.63 | 13.00 | 1.50 | 5.82 | 1.687 | 6 | 250 |

Liquid Tight Connectors 5

AMFTGS.com

t: 800-221-5268

e: info@amftgs.com

AMERICAN FITTINGS Corporation



Made in the USA Since 1946

LIQUID TIGHT CONNECTORS
Grounding Type with Aluminum Lugs: 45° Angle
Size Range: 3/8" to 4"

Liquid Tight Connectors 45° Grounding Type with Aluminum Lugs

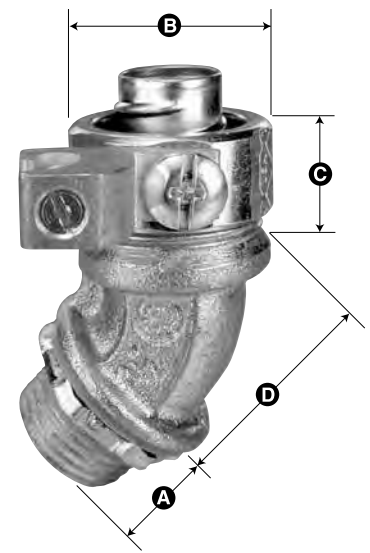
- A quick, effective solution to connecting liquid tight conduit while terminating a bonding connector in one action
- Strong construction and long ferrule prevent pullouts
- All components are reusable
- Furnished with locknut and sealing washer

45° Angle Connectors (STR)

| Cat. # | Size | Unit Ctn | Std Pkg | WT/ 100 |
|------------|--------|----------|---------|---------|
| STR3845GL | 3/8" | 20 | 100 | 23 |
| STR5045GL | 1/2" | 20 | 100 | 25 |
| STR7545GL | 3/4" | 10 | 50 | 34 |
| STR10045GL | 1" | 5 | 25 | 55 |
| STR12545GL | 1-1/4" | 4 | 20 | 71 |
| STR15045GL | 1-1/2" | 3 | 15 | 101 |
| STR20045GL | 2" | 2 | 10 | 154 |
| STR25045GL | 2-1/2" | - | 4 | 485 |
| STR30045GL | 3" | - | 2 | 782 |
| STR35045GL | 3-1/2" | - | 2 | 899 |
| STR40045GL | 4" | - | 1 | 1019 |

45° Angle Connectors with Insulated Throat

| Cat. # | Size | Unit Ctn | Std Pkg | WT/ 100 |
|-------------|--------|----------|---------|---------|
| STR3845BGL | 3/8" | 20 | 100 | 23 |
| STR5045BGL | 1/2" | 20 | 100 | 25 |
| STR7545BGL | 3/4" | 10 | 50 | 34 |
| STR10045BGL | 1" | 5 | 25 | 55 |
| STR12545BGL | 1-1/4" | 4 | 20 | 71 |
| STR15045BGL | 1-1/2" | 3 | 15 | 101 |
| STR20045BGL | 2" | 2 | 10 | 154 |
| STR25045BGL | 2-1/2" | - | 4 | 485 |
| STR30045BGL | 3" | - | 2 | 782 |
| STR35045BGL | 3-1/2" | - | 2 | 899 |
| STR40045BGL | 4" | - | 1 | 1019 |



Featuring:
EZ-Torque Compression Nut

Dimensional Table

| Cat. # | A | B | C | D | E |
|------------|------|------|------|------|-------|
| STR3845GL | .59 | 1.09 | 1.22 | 1.03 | .750 |
| STR5045GL | .59 | 1.19 | 1.32 | 1.03 | .750 |
| STR7545GL | .59 | 1.43 | 1.38 | 1.13 | .750 |
| STR10045GL | .66 | 1.75 | 1.66 | 1.25 | .750 |
| STR12545GL | .69 | 2.16 | 1.72 | 1.34 | .750 |
| STR15045GL | .72 | 2.38 | 2.00 | 1.47 | .750 |
| STR20045GL | .72 | 2.88 | 2.28 | 1.63 | .750 |
| STR25045GL | 1.50 | 4.00 | 2.25 | 4.75 | 1.093 |
| STR30045GL | 1.50 | 4.63 | 2.50 | 5.50 | 1.093 |
| STR35045GL | 1.56 | 5.25 | 2.50 | 6.50 | 1.687 |
| STR40045GL | 1.63 | 5.81 | 2.50 | 7.75 | 1.687 |

Liquid Tight Connectors 6



Made in the USA Since 1946

Combination Couplings Liquid Tight Conduit to EMT

- Reusable ferrule
- For rooftop HVAC air conditioners and motor hook-ups
- Steel, zinc plated



UL rated suitable for hazardous locations
Class I, Div. 2; Class II, Div. 1 and 2;
Class III, Div. 1 and 2; NEC 501-4(b),
502-4(a), 503-3(a)

SPEC-grade



Featuring:
EZ-Torque Compression Nut

| Cat. # | Size | Uni Ctn | Std Pkg | WT/ 100 |
|-----------|------|---------|---------|---------|
| STREMT50 | 1/2" | 25 | 250 | 15 |
| STREMT75 | 3/4" | 10 | 100 | 22 |
| STREMT100 | 1" | 5 | 50 | 40 |



Made in the USA Since 1946

Raintight Combination Couplings Liquid Tight Conduit to Rigid Conduit-IMC

- Reusable ferrule
- Steel, zinc plated



UL rated suitable for hazardous locations
Class I, Div. 2; Class II, Div. 1 and 2;
Class III, Div. 1 and 2; NEC 501-4(b),
502-4(a), 503-3(a)

SPEC-grade



Featuring:
EZ-Torque Compression Nut

Combination Coupling (STR-EMT)

| Cat. # | Size | Uni Ctn | Std Pkg | WT/ 100 |
|-------------|------|---------|---------|---------|
| STREMT50RT | 1/2" | 25 | 250 | 15 |
| STREMT75RT | 3/4" | 10 | 100 | 22 |
| STREMT100RT | 1" | 5 | 50 | 40 |



Liquid Tight Connectors with Female Threaded Hubs

- For Connecting Liquid Tight Conduit with Rigid/IMC Threaded Conduit
- Provides versatility in threaded hub or panelboard applications



SPEC-grade



Featuring:
EZ-Torque Compression Nut

| Cat. # | Size | Unit Ctn | Std Pkg | WT/ 100 |
|----------|--------|----------|---------|---------|
| STR38FR | 3/8" | 25 | 125 | 13 |
| STR50FR | 1/2" | 25 | 125 | 14 |
| STR75FR | 3/4" | 25 | 125 | 21 |
| STR100FR | 1" | 5 | 25 | 31 |
| STR125FR | 1 1/4" | 5 | 25 | 56 |
| STR150FR | 1 1/2" | 5 | 25 | 69 |
| STR200FR | 2" | 5 | 25 | 88 |

Dimensional Table

| Cat. # | A | B |
|----------|------|--------|
| STR38FR | 1.08 | 1 1/8" |
| STR50FR | 1.19 | 1 1/8" |
| STR75FR | 1.43 | 1 3/8" |
| STR100FR | 1.75 | 1 5/8" |
| STR125FR | 2.16 | 2" |
| STR150FR | 2.38 | 2 1/4" |
| STR200FR | 2.88 | 2 3/4" |

Liquid Tight Connectors 9



Made in the USA Since 1946

Non-Metallic Liquid Tight Connectors For Use with Type B Non-metallic Liquid Tight Conduit

- For use in wet or dry locations where fittings are not subject to harsh physical conditions
- Compact & sturdy PVC fitting furnished with steel locknut and sealing gasket
- NPT Thread
- Corrosion resistant
- Protection from liquid, rain, & oils
- Smooth interior to speed installation and eliminate friction

Straight Connectors

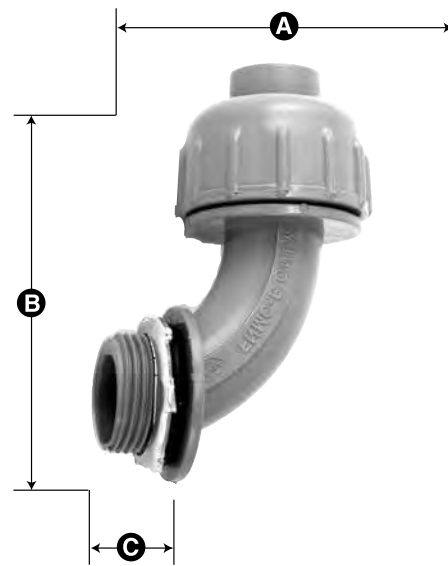
| Cat. # | Size | Unit Ctn | Std Pkg | WT/ 100 |
|--------|--------|----------|---------|---------|
| NML38 | 3/8" | 25 | 125 | 9 |
| NML50 | 1/2" 2 | 5 | 125 | 8 |
| NML75 | 3/4" | 10 | 50 | 10 |
| NML100 | 1" | 10 | 50 | 14 |
| NML125 | 1-1/4" | 5 | 5 | 20 |
| NML150 | 1-1/2" | 4 | 20 | 26 |
| NML200 | 2" | 2 | 10 | 45 |

Dimensional Table

| Cat. # | A | B | C |
|----------|------|------|------|
| NML3890 | 2.56 | 2.14 | 1.09 |
| NML5090 | 2.56 | 2.14 | 1.09 |
| NML7590 | 2.84 | 2.38 | 1.30 |
| NML10090 | 3.25 | 2.81 | 1.50 |
| NML12590 | 3.96 | 3.36 | 2.40 |
| NML15090 | 4.13 | 3.45 | 2.68 |
| NML20090 | 4.68 | 4.04 | 3.35 |

90° Connectors

| Cat. # | Size | Unit Ctn | Std Pkg | WT/ 100 |
|----------|--------|----------|---------|---------|
| NML3890 | 3/8" | 10 | 50 | 9 |
| NML5090 | 1/2" | 10 | 50 | 8 |
| NML7590 | 3/4" | 10 | 50 | 12 |
| NML10090 | 1" | 5 | 25 | 18 |
| NML12590 | 1-1/4" | 2 | 10 | 37 |
| NML15090 | 1-1/2" | 2 | 10 | 39 |
| NML20090 | 2" | 1 | 5 | 70 |



Dimensional Table

| Cat. # | A Diameter | B Overall Length | C Length of Thread |
|--------|------------|------------------|--------------------|
| NML38 | 1.12 | 2.10 | .45 |
| NML50 | 1.12 | 2.10 | .45 |
| NML75 | 1.30 | 2.20 | .47 |
| NML100 | 1.60 | 2.30 | .57 |
| NML125 | 2.40 | 2.40 | .57 |
| NML150 | 2.60 | 2.75 | .57 |
| NML200 | 3.30 | 3.10 | .67 |

AMERICAN FITTINGS Corporation



Made in the USA Since 1946

LIQUID TIGHT CONNECTORS
Flexible Metal MS Connectors
Cannon Type Plug Adaptor
Size Range: 3/8" to 3/4"

Liquid Tight Flexible Metal MS Connectors (Cannon Type Plug Adaptor)

- UL rated Liquid Tight conduit to female thread
- For industrial applications where liquid tight conduit needs to be connected to female multi pin plug (Cannon type)
- Made from corrosion resistant machined steel, zinc plated

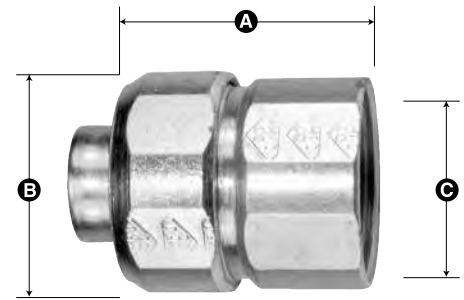


E93605



LR61799

SPEC-grade



Featuring:
EZ-Torque Compression Nut

Dimensional Table

| Cat. # | A | B | C |
|------------|------|------|-----|
| STR38807MS | 1.32 | 1.06 | .50 |
| STR3814MS | 1.32 | 1.06 | .50 |
| STR3818MS | 1.32 | 1.06 | .50 |
| STR5018MS | 1.32 | 1.13 | .53 |
| STR5020MS | 1.38 | 1.13 | .66 |
| STR7520MS | 1.38 | 1.43 | .67 |

| Cat. # | Size | AN-MS Conn Shell Size | Thread Size | Unit Ctn | Std Pkg | WT/ 100 |
|------------|------|-----------------------|--------------------|----------|---------|---------|
| STR38807MS | 3/8" | | 20.5mm x 1.25mm | 25 | 125 | 10 |
| STR3814MS | 3/8" | 14, 14S | 3/4"-20 UNEF 2B | 25 | 125 | 10 |
| STR3818MS | 3/8" | 18 | 1"-20 UNEF 2B | 25 | 125 | 10 |
| STR5018MS | 1/2" | 18 | 1"-20 UNEF 2B | 25 | 125 | 14 |
| STR5020MS | 1/2" | 20, 22 | 1-3/16"-18 UNEF 2B | 20 | 100 | 16 |
| STR7520MS | 3/4" | 20, 22 | 1-3/16"-18 UNEF 2B | 20 | 100 | 18 |

* Also available with stainless steel mesh

Raintight

| Cat. # | Size | AN-MS Conn Shell Size | Thread Size | Unit Ctn | Std Pkg | WT/ 100 |
|--------------|------|-----------------------|--------------------|----------|---------|---------|
| STR38807MSRT | 3/8" | | 20.5mm x 1.25mm | 25 | 125 | 10 |
| STR3814MSRT | 3/8" | 14, 14S | 3/4"-20 UNEF 2B | 25 | 125 | 10 |
| STR3818MSRT | 3/8" | 18 | 1"-20 UNEF 2B | 25 | 125 | 10 |
| STR5018MSRT | 1/2" | 18 | 1"-20 UNEF 2B | 25 | 125 | 14 |
| STR5020MSRT | 1/2" | 20, 22 | 1-3/16"-18 UNEF 2B | 20 | 100 | 16 |
| STR7520MSRT | 3/4" | 20, 22 | 1-3/16"-18 UNEF 2B | 20 | 100 | 18 |

Liquid Tight Connectors 11

AMFTGS.com

t: 800-221-5268

e: info@amftgs.com



Liquid Tight Connectors with Female Threaded Hubs and Chase Nipples

- For connecting liquid tight conduit into electrical box - inside low profile
- Provides versatility in threaded hub or panelboard applications
- Includes a sealing washer



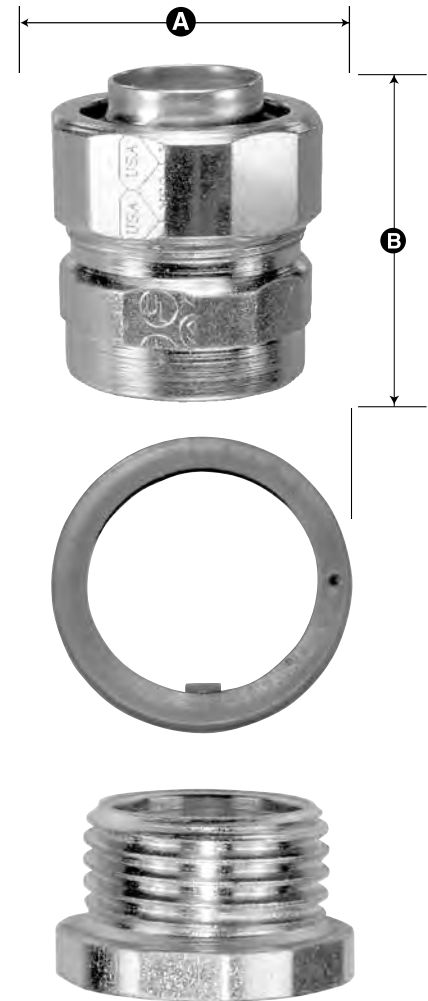
Liquid Tight Female Hub

| Cat. # | Size | Unit Ctn | Std Pkg | WT/ 100 |
|------------|--------|----------|---------|---------|
| STR38FRCN | 3/8" | 25 | 125 | 16 |
| STR50FRCN | 1/2" | 25 | 125 | 17 |
| STR75FRCN | 3/4" | 25 | 125 | 25 |
| STR100FRCN | 1" | 5 | 25 | 40 |
| STR125FRCN | 1 1/4" | 5 | 25 | 73 |
| STR150FRCN | 1 1/2" | 5 | 25 | 90 |
| STR200FRCN | 2" | 5 | 25 | 117 |

Dimensional Table

| Cat. # | A | B | C | D |
|------------|------|------|-----|----------|
| STR38FRCN | 1.09 | 1.14 | .16 | 1" |
| STR50FRCN | 1.19 | 1.21 | .16 | 1" |
| STR75FRCN | 1.43 | 1.24 | .16 | 1 1/4" |
| STR100FRCN | 1.75 | 1.57 | .19 | 1 5/8" |
| STR125FRCN | 2.16 | 1.86 | .20 | 1 7/8" |
| STR150FRCN | 2.38 | 1.97 | .25 | 2 3/16" |
| STR200FRCN | 2.88 | 2.07 | .25 | 2 11/16" |

SPEC-grade



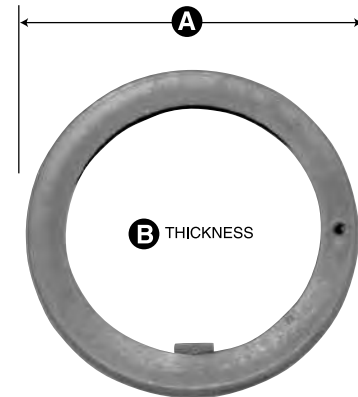
Featuring:
EZ-Torque Compression Nut



Sealing Washers

- Polyethylene
- Moisture resistant

SPEC-grade



| Cat. # | Size | Std Pkg | WT/ 100 |
|--------|--------|---------|---------|
| SW50 | 1/2" | 500 | .5 |
| SW75 | 3/4" | 500 | .5 |
| SW100 | 1" | 250 | 1 |
| SW125 | 1-1/4" | 250 | 1 |
| SW150 | 1-1/2" | 250 | 1 |
| SW200 | 2" | 250 | 2 |
| SW250 | 2-1/2" | 100 | 2 |
| SW300 | 3" | 100 | 2 |
| SW350 | 3-1/2" | 50 | 2 |
| SW400 | 4" | 50 | 2 |

Dimensional Table

| Cat. # | A Diameter | B Thickness |
|--------|------------|-------------|
| SW50 | 1.10 | .075 |
| SW75 | 1.34 | .080 |
| SW100 | 1.60 | .080 |
| SW125 | 1.93 | .080 |
| SW150 | 2.20 | .080 |
| SW200 | 2.57 | .080 |
| SW250 | 2.88 | .125 |
| SW300 | 3.52 | .125 |
| SW350 | 4.03 | .125 |
| SW400 | 4.52 | .125 |



Liquid Tight Ferrules Replacements

- Reusable
- Steel, zinc plated
- For improved sealing and grounding

SPEC-grade



Replacement Ferrules

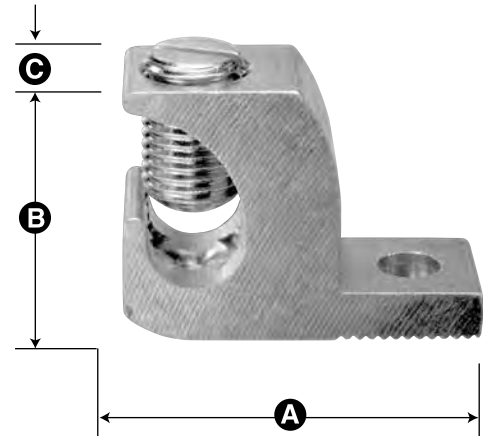
| Cat. # | Size | Unit Ctn | Std Pkg | WT/ 100 |
|---------|--------|----------|---------|---------|
| STR38F | 3/8" | 100 | 500 | 2 |
| STR50F | 1/2" | 100 | 500 | 2 |
| STR75F | 3/4" | 100 | 500 | 3 |
| STR100F | 1" | 50 | 250 | 3 |
| STR125F | 1-1/4" | 25 | 125 | 5 |
| STR150F | 1-1/2" | 10 | 50 | 6 |
| STR200F | 2" | 5 | 25 | 11 |
| STR250F | 2-1/2" | - | 1 | 23 |
| STR300F | 3" | - | 1 | 16 |
| STR350F | 3-1/2" | - | 1 | 50 |
| STR400F | 4" | - | 1 | 38 |

Liquid Tight Connectors 14



Solderless Lugs - Copper and Aluminum

- Lay-in connectors
- High strength, high conductive



Aluminum Alloy 6061

| Cat. # | Wire Range CU-AL | Unit Ctn | Std Pkg | WT/ 100 |
|--------|---------------------|-------------|------------|------------|
| GLA4 | 4-14 | 50 | 500 | 2 |
| GLA0 | 1/0-8 | 25 | 250 | 7 |
| GLA250 | 250 mcm-6 | 10 | 100 | 19 |

Dimensional Table

| Cat. # | A | B | C |
|--------|------|------|-----|
| GLA4 | 1.07 | .75 | .38 |
| GLA0 | 1.50 | 1.10 | .60 |
| GLA250 | 2.20 | 1.70 | .80 |

Copper

| Cat. # | Wire Range CU-AL | Unit Ctn | Std Pkg | WT/ 100 |
|--------|---------------------|-------------|------------|------------|
| GLCU4 | 4-14 | 50 | 500 | 6 |
| GLCU2 | 2-8 | 50 | 500 | 5 |

Dimensional Table

| Cat. # | A | B | C |
|--------|------|-----|-----|
| GLCU4 | 1.30 | .88 | .40 |
| GLCU2 | 1.47 | .92 | .48 |



Made in the USA Since 1946

Liquid Tight Connectors Reusable Fittings

- Industrial specification grade, screw machined steel, zinc plated
- UL Rated Liquid Tight
- Includes sealing washer
- Bonds conduit to box or enclosure
- Corrosion resistant protection from moisture & oils
- Designed to protect against excessive vibration

Straight Connectors (STR)

| Cat. # | Size | Unit Ctn | Std Pkg | WT/ 100 |
|----------|--------|----------|---------|---------|
| STR38 | 3/8" | 20 | 200 | 10 |
| STR50 | 1/2" | 20 | 200 | 13 |
| STR75 | 3/4" | 20 | 100 | 18 |
| STR100 | 1" | 5 | 50 | 32 |
| STR125 | 1-1/4" | 5 | 25 | 44 |
| STR150 | 1-1/2" | 5 | 25 | 66 |
| STR200 | 2" | 5 | 25 | 85 |
| STR250** | 2-1/2" | - | 5 | 260 |
| STR300** | 3" | - | 4 | 360 |
| STR350** | 3-1/2" | - | 4 | 445 |
| STR400** | 4" | - | 2 | 520 |
| STR500** | 5" | - | 1 | 1150 |

6" connectors available upon request

** Malleable Iron

Dimensional Table

| Cat. # | A Diameter | B Overall Length | C Length of Thread |
|----------|------------|------------------|--------------------|
| STR38/B | 1.09 | 1.19 | .63 |
| STR50/B | 1.19 | 1.34 | .63 |
| STR75/B | 1.43 | 1.43 | .63 |
| STR100/B | 1.75 | 1.63 | .66 |
| STR125/B | 2.16 | 1.84 | .67 |
| STR150/B | 2.38 | 2.00 | .72 |
| STR200/B | 2.88 | 2.13 | .72 |
| STR250/B | 4.00 | 3.25 | 1.50 |
| STR300/B | 4.63 | 3.88 | 1.50 |
| STR350/B | 5.50 | 4.00 | 1.50 |
| STR400/B | 5.82 | 4.00 | 1.63 |
| STR500/B | 7.00 | 5.00 | 1.63 |

SPEC-grade



E93605



LR61799

UL rated suitable for hazardous locations
Class I, Div. 2; Class II, Div. 1 and 2;
Class III, Div. 1 and 2; NEC 501-4(b), 505-4(a), 503-3(a)

Featuring:
EZ-Torque Compression Nut

Straight Connectors with Insulated Throat

| Cat. # | Size | Unit Ctn | Std Pkg | WT/ 100 |
|-----------|--------|----------|---------|---------|
| STR38B | 3/8" | 20 | 200 | 10 |
| STR50B | 1/2" | 20 | 200 | 13 |
| STR75B | 3/4" | 20 | 100 | 18 |
| STR100B | 1" | 5 | 50 | 32 |
| STR125B | 1-1/4" | 5 | 25 | 44 |
| STR150B | 1-1/2" | 5 | 25 | 66 |
| STR200B | 2" | 5 | 25 | 85 |
| STR250B** | 2-1/2" | - | 5 | 260 |
| STR300B** | 3" | - | 4 | 360 |
| STR350B** | 3-1/2" | - | 4 | 445 |
| STR400B** | 4" | - | 2 | 520 |
| STR500B** | 5" | - | 1 | 1150 |

6" connectors available upon request

** Malleable Iron



Made in the USA Since 1946

Liquid Tight Connectors 90° Reusable Fittings

- Industrial specification grade steel, zinc plated
- Malleable iron body
- UL rated Liquid Tight
- Includes sealing washer
- Bonds conduit to box or enclosure
- Corrosion resistant protection from moisture & oils
- Designed to protect against excessive vibration

90° Angle Connectors (STR)

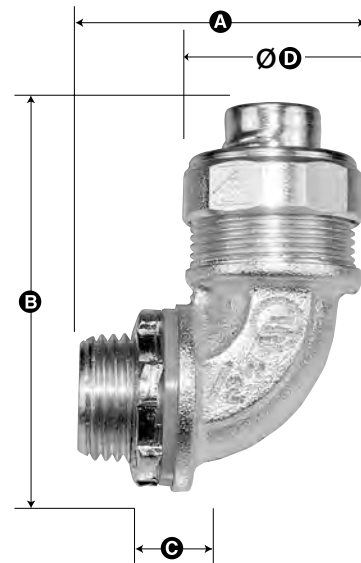
| Cat. # | Size | Unit Ctn | Std Pkg | WT/ 100 |
|------------|--------|----------|---------|---------|
| STR3890** | 3/8" | 10 | 100 | 24 |
| STR5090** | 1/2" | 10 | 100 | 24 |
| STR7590** | 3/4" | 5 | 50 | 38 |
| STR10090** | 1" | 5 | 25 | 70 |
| STR12590** | 1-1/4" | 2 | 20 | 88 |
| STR15090** | 1-1/2" | 1 | 10 | 125 |
| STR20090** | 2" | 1 | 5 | 180 |
| STR25090 | 2-1/2" | - | 2 | 625 |
| STR30090 | 3" | - | 1 | 900 |
| STR35090 | 3-1/2" | - | 1 | 1000 |
| STR40090 | 4" | - | 2 | 1500 |

**Steel Nut

Dimensional Table

| Cat. # | A | B | C Length of Thread | D Ø |
|------------|-------|-------|--------------------------|--------|
| STR3890/B | 1.25 | 1.59 | .59 | 1.09 |
| STR5090/B | 1.25 | 1.66 | .59 | 1.19 |
| STR7590/B | 1.53 | 1.78 | .59 | 1.43 |
| STR10090/B | 1.84 | 2.19 | .66 | 1.75 |
| STR12590/B | 1.94 | 2.38 | .69 | 2.16 |
| STR15090/B | 2.09 | 2.63 | .72 | 2.38 |
| STR20090/B | 2.41 | 3.06 | .72 | 2.88 |
| STR25090/B | 8.00 | 9.25 | 1.50 | ? |
| STR30090/B | 8.75 | 10.50 | 1.50 | ? |
| STR35090/B | 10.93 | 11.50 | 1.50 | ? |
| STR40090/B | 12.63 | 13.00 | 1.50 | ? |

SPEC-grade



E93605



LR61799

UL rated suitable for hazardous locations
Class I, Div. 2; Class II, Div. 1 and 2;
Class III, Div. 1 and 2; NEC 501-4(b), 505-4(a), 503-3(a)

Featuring:
EZ-Torque Compression Nut

90° Angle Connectors with Insulated Throat

| Cat. # | Size | Unit Ctn | Std Pkg | WT/ 100 |
|-------------|--------|----------|---------|---------|
| STR3890B** | 3/8" | 10 | 100 | 24 |
| STR5090B** | 1/2" | 10 | 100 | 24 |
| STR7590B** | 3/4" | 5 | 50 | 38 |
| STR10090B** | 1" | 5 | 25 | 70 |
| STR12590B** | 1-1/4" | 2 | 20 | 88 |
| STR15090B** | 1-1/2" | 1 | 10 | 125 |
| STR20090B** | 2" | 1 | 5 | 180 |
| STR25090B | 2-1/2" | - | 2 | 625 |
| STR30090B | 3" | - | 1 | 900 |
| STR35090B | 3-1/2" | - | 1 | 1000 |
| STR40090B | 4" | - | 2 | 1500 |

**Steel Nut



Liquid Tight Connectors 45° Reusable Fittings

- Industrial specification grade steel, zinc plated
- Malleable iron body
- UL rated Liquid Tight
- Includes sealing washer
- Bonds conduit to box or enclosure
- Corrosion resistant protection from moisture & oils
- Designed to protect against excessive vibration

45° Angle Connectors (STR)

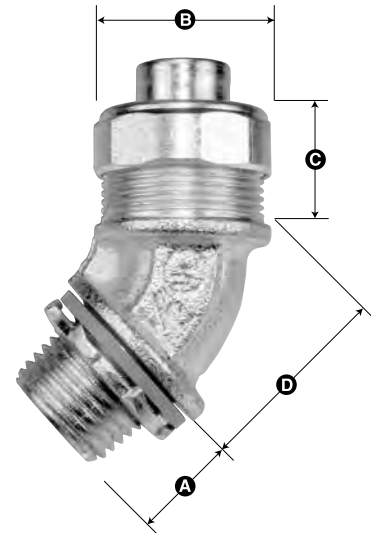
| Cat. # | Size | Unit Ctn | Std Pkg | WT/ 100 |
|------------|--------|----------|---------|---------|
| STR3845** | 3/8" | 10 | 100 | 21 |
| STR5045** | 1/2" | 10 | 100 | 23 |
| STR7545** | 3/4" | 10 | 50 | 32 |
| STR10045** | 1" | 5 | 50 | 53 |
| STR12545** | 1-1/4" | 5 | 25 | 69 |
| STR15045** | 1-1/2" | 3 | 15 | 99 |
| STR20045** | 2" | 1 | 10 | 152 |
| STR25045 | 2-1/2" | - | 2 | 478 |
| STR30045 | 3" | - | 2 | 775 |
| STR35045 | 3-1/2" | - | 1 | 880 |
| STR40045 | 4" | - | 1 | 1000 |

** Steel Nut

Dimensional Table

| Cat. # | A | B | C | D |
|------------|------|------|------|------|
| STR3845/B | .59 | 1.09 | 1.22 | 1.03 |
| STR5045/B | .59 | 1.19 | 1.32 | 1.03 |
| STR7545/B | .59 | 1.43 | 1.38 | 1.13 |
| STR10045/B | .66 | 1.75 | 1.66 | 1.25 |
| STR12545/B | .69 | 2.16 | 1.72 | 1.34 |
| STR15045/B | .72 | 2.38 | 2.00 | 1.47 |
| STR20045/B | .72 | 2.88 | 2.28 | 1.63 |
| STR25045/B | 1.50 | 4.00 | 2.25 | 4.75 |
| STR30045/B | 1.50 | 4.63 | 2.50 | 5.50 |
| STR35045/B | 1.56 | 5.25 | 2.50 | 6.50 |
| STR40045/B | 1.63 | 5.81 | 2.50 | 7.75 |

SPEC-grade



E93605



LR61799

UL rated suitable for hazardous locations
Class I, Div. 2; Class II, Div. 1 and 2;
Class III, Div. 1 and 2; NEC 501-4(b), 502-4(a), 503-3(a)

Featuring:
EZ-Torque Compression Nut

45° Angle Connectors with Insulated Throat

| Cat. # | Size | Unit Ctn | Std Pkg | WT/ 100 |
|-------------|--------|----------|---------|---------|
| STR3845B** | 3/8" | 10 | 100 | 21 |
| STR5045B** | 1/2" | 10 | 100 | 23 |
| STR7545B** | 3/4" | 10 | 50 | 32 |
| STR10045B** | 1" | 5 | 50 | 53 |
| STR12545B** | 1-1/4" | 5 | 25 | 69 |
| STR15045B** | 1-1/2" | 3 | 15 | 99 |
| STR20045B** | 2" | 1 | 10 | 152 |
| STR25045B | 2-1/2" | - | 2 | 478 |
| STR30045B | 3" | - | 2 | 775 |
| STR35045B | 3-1/2" | - | 1 | 880 |
| STR40045B | 4" | - | 1 | 1000 |

** Steel Nut



Made in the USA Since 1946

Liquid Tight Connectors Grounding Type with Aluminum Lugs

- A quick, effective solution to connecting liquid tight conduit while terminating a bonding connector in one action
- Sleek screw machined bodies and nuts promote easy installation
- Strong construction and long ferrule prevent pullouts
- All components are reusable
- Furnished with locknut and sealing washer

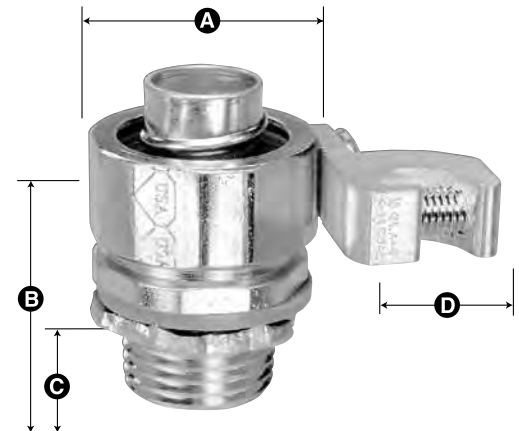
Straight Connectors (STR)

| Cat. # | Size | Unit Ctn | Std Pkg | WT/100 |
|----------|--------|----------|---------|--------|
| STR38GL | 3/8" | 25 | 125 | 12 |
| STR50GL | 1/2" | 25 | 125 | 15 |
| STR75GL | 3/4" | 25 | 125 | 20 |
| STR100GL | 1" | 10 | 50 | 34 |
| STR125GL | 1-1/4" | 5 | 25 | 46 |
| STR150GL | 1-1/2" | 5 | 25 | 68 |
| STR200GL | 2" | 2 | 10 | 87 |
| STR250GL | 2-1/2" | - | 5 | 267 |
| STR300GL | 3" | - | 4 | 367 |
| STR350GL | 3-1/2" | - | 3 | 464 |
| STR400GL | 4" | - | 2 | 539 |

Dimensional Table

| Cat. # | A | B | C | D | Wire Size | |
|----------|----------|----------------|------------------|---------------|-----------|-----|
| | Diameter | Overall Length | Length of Thread | Length of Lug | Min | Max |
| STR38GL | 1.09 | 1.19 | .63 | .750 | 14 | 4 |
| STR50GL | 1.19 | 1.34 | .63 | .750 | 14 | 4 |
| STR75GL | 1.43 | 1.43 | .63 | .750 | 14 | 4 |
| STR100GL | 1.75 | 1.63 | .66 | .750 | 14 | 4 |
| STR125GL | 2.16 | 1.84 | .67 | .750 | 14 | 4 |
| STR150GL | 2.38 | 2.00 | .72 | .750 | 14 | 4 |
| STR200GL | 2.88 | 2.13 | .72 | .750 | 14 | 4 |
| STR250GL | 4.00 | 3.25 | 1.50 | 1.093 | 8 | 110 |
| STR300GL | 4.63 | 3.88 | 1.50 | 1.093 | 8 | 110 |
| STR350GL | 5.50 | 4.00 | 1.50 | 1.687 | 6 | 250 |
| STR400GL | 5.82 | 4.00 | 1.63 | 1.687 | 6 | 250 |

SPEC-grade



UL rated suitable for hazardous locations
Class I, Div. 2; Class II, Div. 1 and 2;
Class III, Div. 1 and 2; NEC 501-4(b), 502-4(a), 503-3(a)

Featuring:
EZ-Torque Compression Nut

Straight Connectors with Insulated Throat

| Cat. # | Size | Unit Ctn | Std Pkg | WT/100 |
|-----------|--------|----------|---------|--------|
| STR38BGL | 3/8" | 25 | 125 | 12 |
| STR50BGL | 1/2" | 25 | 125 | 15 |
| STR75BGL | 3/4" | 25 | 125 | 20 |
| STR100BGL | 1" | 10 | 50 | 34 |
| STR125BGL | 1-1/4" | 5 | 25 | 46 |
| STR150BGL | 1-1/2" | 5 | 25 | 68 |
| STR200BGL | 2" | 2 | 10 | 87 |
| STR250BGL | 2-1/2" | - | 5 | 267 |
| STR300BGL | 3" | - | 4 | 367 |
| STR350BGL | 3-1/2" | - | 3 | 464 |
| STR400BGL | 4" | - | 2 | 539 |

AMERICAN FITTINGS Corporation



Made in the USA Since 1946

LIQUID TIGHT CONNECTORS
Grounding Type with Aluminum Lugs: 90° Angle
Size Range: 3/8" to 4"

Liquid Tight Connectors 90° Grounding Type with Aluminum Lugs

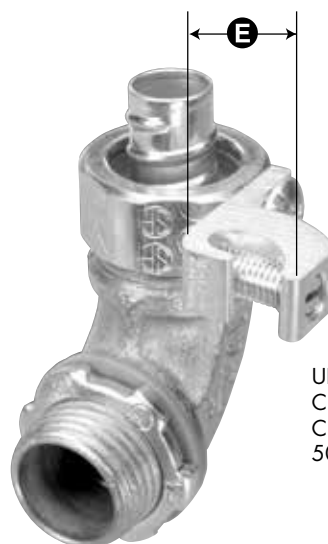
- A quick, effective solution to connecting liquid tight conduit while terminating a bonding connector in one action
- Strong construction and long ferrule prevent pullouts
- All components are reusable
- Furnished with locknut and sealing washer

90° Angle Connectors (STR)

| Cat. # | Size | Unit Ctn | Std Pkg | WT/100 |
|------------|--------|----------|---------|--------|
| STR3890GL | 3/8" | 20 | 100 | 26 |
| STR5090GL | 1/2" | 20 | 100 | 26 |
| STR7590GL | 3/4" | 10 | 50 | 40 |
| STR10090GL | 1" | 5 | 25 | 72 |
| STR12590GL | 1-1/4" | 4 | 20 | 90 |
| STR15090GL | 1-1/2" | 3 | 15 | 127 |
| STR20090GL | 2" | 2 | 10 | 182 |
| STR25090GL | 2-1/2" | - | 2 | 632 |
| STR30090GL | 3" | - | 1 | 907 |
| STR35090GL | 3-1/2" | - | 1 | 1019 |
| STR40090GL | 4" | - | 2 | 1519 |

90° Angle Connectors with Insulated Throat

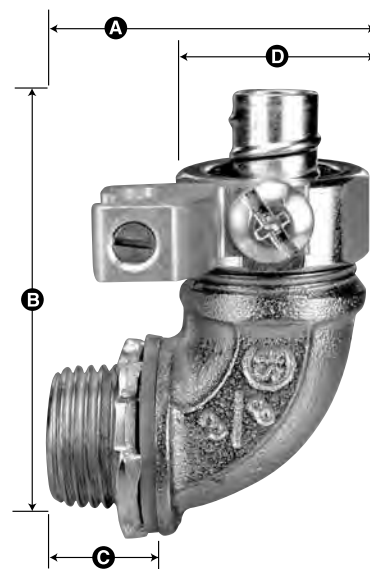
| Cat. # | Size | Unit Ctn | Std Pkg | WT/100 |
|------------|--------|----------|---------|--------|
| STR3890GL | 3/8" | 20 | 100 | 26 |
| STR5090GL | 1/2" | 20 | 100 | 26 |
| STR7590GL | 3/4" | 10 | 50 | 40 |
| STR10090GL | 1" | 5 | 25 | 72 |
| STR12590GL | 1-1/4" | 4 | 20 | 90 |
| STR15090GL | 1-1/2" | 3 | 15 | 127 |
| STR20090GL | 2" | 2 | 10 | 182 |
| STR25090GL | 2-1/2" | - | 2 | 632 |
| STR30090GL | 3" | - | 1 | 907 |
| STR35090GL | 3-1/2" | - | 1 | 1019 |
| STR40090GL | 4" | - | 2 | 1519 |



SPEC-grade



UL rated suitable for hazardous locations
Class I, Div. 2; Class II, Div. 1 and 2;
Class III, Div. 1 and 2; NEC 501-4(b),
502-4(a), 503-3(a)



Featuring:
EZ-Torque Compression Nut

Dimensional Table

| Cat. # | A | B | C | D | E | Wire Min | Size Max |
|------------|-------|-------|------|------|-------|----------|----------|
| STR3890GL | 1.25 | 1.59 | .59 | 1.09 | .750 | 14 | 4 |
| STR5090GL | 1.25 | 1.66 | .59 | 1.19 | .750 | 14 | 4 |
| STR7590GL | 1.53 | 1.78 | .59 | 1.43 | .750 | 14 | 4 |
| STR10090GL | 1.84 | 2.19 | .66 | 1.75 | .750 | 14 | 4 |
| STR12590GL | 1.94 | 2.38 | .69 | 2.16 | .750 | 14 | 4 |
| STR15090GL | 2.09 | 2.63 | .72 | 2.38 | .750 | 14 | 4 |
| STR20090GL | 2.41 | 3.06 | .72 | 2.88 | .750 | 14 | 4 |
| STR25090GL | 8.00 | 9.25 | 1.50 | 4.00 | 1.093 | 8 | 110 |
| STR30090GL | 8.75 | 10.50 | 1.50 | 4.63 | 1.093 | 8 | 110 |
| STR35090GL | 10.93 | 11.50 | 1.50 | 5.50 | 1.687 | 6 | 250 |
| STR40090GL | 12.63 | 13.00 | 1.50 | 5.82 | 1.687 | 6 | 250 |

Liquid Tight Connectors 5

AMFTGS.com

t: 800-221-5268

e: info@amftgs.com

AMERICAN FITTINGS Corporation



Made in the USA Since 1946

LIQUID TIGHT CONNECTORS
Grounding Type with Aluminum Lugs: 45° Angle
Size Range: 3/8" to 4"

Liquid Tight Connectors 45° Grounding Type with Aluminum Lugs

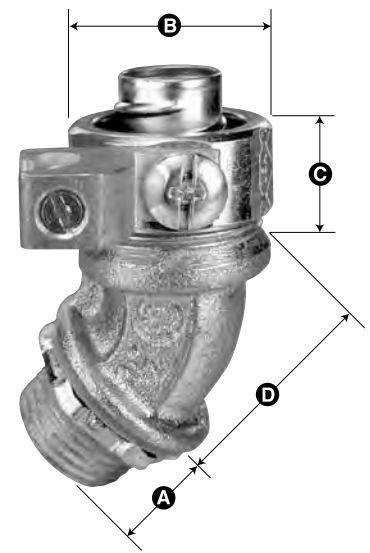
- A quick, effective solution to connecting liquid tight conduit while terminating a bonding connector in one action
- Strong construction and long ferrule prevent pullouts
- All components are reusable
- Furnished with locknut and sealing washer

45° Angle Connectors (STR)

| Cat. # | Size | Unit Ctn | Std Pkg | WT/ 100 |
|------------|--------|----------|---------|---------|
| STR3845GL | 3/8" | 20 | 100 | 23 |
| STR5045GL | 1/2" | 20 | 100 | 25 |
| STR7545GL | 3/4" | 10 | 50 | 34 |
| STR10045GL | 1" | 5 | 25 | 55 |
| STR12545GL | 1-1/4" | 4 | 20 | 71 |
| STR15045GL | 1-1/2" | 3 | 15 | 101 |
| STR20045GL | 2" | 2 | 10 | 154 |
| STR25045GL | 2-1/2" | - | 4 | 485 |
| STR30045GL | 3" | - | 2 | 782 |
| STR35045GL | 3-1/2" | - | 2 | 899 |
| STR40045GL | 4" | - | 1 | 1019 |

45° Angle Connectors with Insulated Throat

| Cat. # | Size | Unit Ctn | Std Pkg | WT/ 100 |
|-------------|--------|----------|---------|---------|
| STR3845BGL | 3/8" | 20 | 100 | 23 |
| STR5045BGL | 1/2" | 20 | 100 | 25 |
| STR7545BGL | 3/4" | 10 | 50 | 34 |
| STR10045BGL | 1" | 5 | 25 | 55 |
| STR12545BGL | 1-1/4" | 4 | 20 | 71 |
| STR15045BGL | 1-1/2" | 3 | 15 | 101 |
| STR20045BGL | 2" | 2 | 10 | 154 |
| STR25045BGL | 2-1/2" | - | 4 | 485 |
| STR30045BGL | 3" | - | 2 | 782 |
| STR35045BGL | 3-1/2" | - | 2 | 899 |
| STR40045BGL | 4" | - | 1 | 1019 |



Featuring:
EZ-Torque Compression Nut

Dimensional Table

| Cat. # | A | B | C | D | E |
|------------|------|------|------|------|-------|
| STR3845GL | .59 | 1.09 | 1.22 | 1.03 | .750 |
| STR5045GL | .59 | 1.19 | 1.32 | 1.03 | .750 |
| STR7545GL | .59 | 1.43 | 1.38 | 1.13 | .750 |
| STR10045GL | .66 | 1.75 | 1.66 | 1.25 | .750 |
| STR12545GL | .69 | 2.16 | 1.72 | 1.34 | .750 |
| STR15045GL | .72 | 2.38 | 2.00 | 1.47 | .750 |
| STR20045GL | .72 | 2.88 | 2.28 | 1.63 | .750 |
| STR25045GL | 1.50 | 4.00 | 2.25 | 4.75 | 1.093 |
| STR30045GL | 1.50 | 4.63 | 2.50 | 5.50 | 1.093 |
| STR35045GL | 1.56 | 5.25 | 2.50 | 6.50 | 1.687 |
| STR40045GL | 1.63 | 5.81 | 2.50 | 7.75 | 1.687 |

Liquid Tight Connectors 6



Made in the USA Since 1946

Combination Couplings Liquid Tight Conduit to EMT

- Reusable ferrule
- For rooftop HVAC air conditioners and motor hook-ups
- Steel, zinc plated



UL rated suitable for hazardous locations
Class I, Div. 2; Class II, Div. 1 and 2;
Class III, Div. 1 and 2; NEC 501-4(b),
502-4(a), 503-3(a)

SPEC-grade



Featuring:
EZ-Torque Compression Nut

| Cat. # | Size | Uni Ctn | Std Pkg | WT/ 100 |
|-----------|------|---------|---------|---------|
| STREMT50 | 1/2" | 25 | 250 | 15 |
| STREMT75 | 3/4" | 10 | 100 | 22 |
| STREMT100 | 1" | 5 | 50 | 40 |



Made in the USA Since 1946

Raintight Combination Couplings Liquid Tight Conduit to Rigid Conduit-IMC

- Reusable ferrule
- Steel, zinc plated



UL rated suitable for hazardous locations
Class I, Div. 2; Class II, Div. 1 and 2;
Class III, Div. 1 and 2; NEC 501-4(b),
502-4(a), 503-3(a)

SPEC-grade



Featuring:
EZ-Torque Compression Nut

Combination Coupling (STR-EMT)

| Cat. # | Size | Uni Ctn | Std Pkg | WT/ 100 |
|-------------|------|---------|---------|---------|
| STREMT50RT | 1/2" | 25 | 250 | 15 |
| STREMT75RT | 3/4" | 10 | 100 | 22 |
| STREMT100RT | 1" | 5 | 50 | 40 |



Liquid Tight Connectors with Female Threaded Hubs

- For Connecting Liquid Tight Conduit with Rigid/IMC Threaded Conduit
- Provides versatility in threaded hub or panelboard applications



SPEC-grade



Featuring:
EZ-Torque Compression Nut

| Cat. # | Size | Unit Ctn | Std Pkg | WT/ 100 |
|----------|--------|----------|---------|---------|
| STR38FR | 3/8" | 25 | 125 | 13 |
| STR50FR | 1/2" | 25 | 125 | 14 |
| STR75FR | 3/4" | 25 | 125 | 21 |
| STR100FR | 1" | 5 | 25 | 31 |
| STR125FR | 1 1/4" | 5 | 25 | 56 |
| STR150FR | 1 1/2" | 5 | 25 | 69 |
| STR200FR | 2" | 5 | 25 | 88 |

Dimensional Table

| Cat. # | A | B |
|----------|------|--------|
| STR38FR | 1.08 | 1 1/8" |
| STR50FR | 1.19 | 1 1/8" |
| STR75FR | 1.43 | 1 3/8" |
| STR100FR | 1.75 | 1 5/8" |
| STR125FR | 2.16 | 2" |
| STR150FR | 2.38 | 2 1/4" |
| STR200FR | 2.88 | 2 3/4" |



Made in the USA Since 1946

Non-Metallic Liquid Tight Connectors For Use with Type B Non-metallic Liquid Tight Conduit

- For use in wet or dry locations where fittings are not subject to harsh physical conditions
- Compact & sturdy PVC fitting furnished with steel locknut and sealing gasket
- NPT Thread
- Corrosion resistant
- Protection from liquid, rain, & oils
- Smooth interior to speed installation and eliminate friction

Straight Connectors

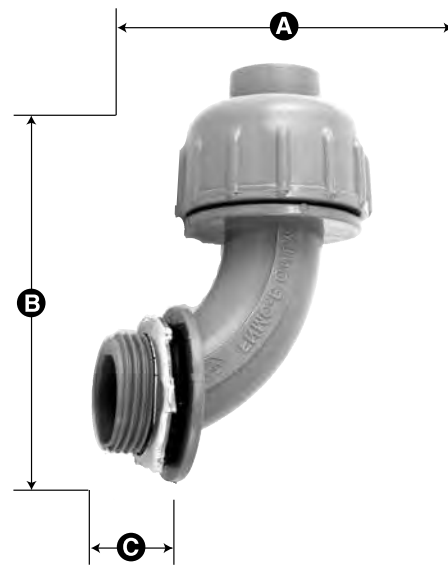
| Cat. # | Size | Unit Ctn | Std Pkg | WT/ 100 |
|--------|--------|----------|---------|---------|
| NML38 | 3/8" | 25 | 125 | 9 |
| NML50 | 1/2" 2 | 5 | 125 | 8 |
| NML75 | 3/4" | 10 | 50 | 10 |
| NML100 | 1" | 10 | 50 | 14 |
| NML125 | 1-1/4" | 5 | 5 | 20 |
| NML150 | 1-1/2" | 4 | 20 | 26 |
| NML200 | 2" | 2 | 10 | 45 |

Dimensional Table

| Cat. # | A | B | C |
|----------|------|------|------|
| NML3890 | 2.56 | 2.14 | 1.09 |
| NML5090 | 2.56 | 2.14 | 1.09 |
| NML7590 | 2.84 | 2.38 | 1.30 |
| NML10090 | 3.25 | 2.81 | 1.50 |
| NML12590 | 3.96 | 3.36 | 2.40 |
| NML15090 | 4.13 | 3.45 | 2.68 |
| NML20090 | 4.68 | 4.04 | 3.35 |

90° Connectors

| Cat. # | Size | Unit Ctn | Std Pkg | WT/ 100 |
|----------|--------|----------|---------|---------|
| NML3890 | 3/8" | 10 | 50 | 9 |
| NML5090 | 1/2" | 10 | 50 | 8 |
| NML7590 | 3/4" | 10 | 50 | 12 |
| NML10090 | 1" | 5 | 25 | 18 |
| NML12590 | 1-1/4" | 2 | 10 | 37 |
| NML15090 | 1-1/2" | 2 | 10 | 39 |
| NML20090 | 2" | 1 | 5 | 70 |



Dimensional Table

| Cat. # | A Diameter | B Overall Length | C Length of Thread |
|--------|------------|------------------|--------------------|
| NML38 | 1.12 | 2.10 | .45 |
| NML50 | 1.12 | 2.10 | .45 |
| NML75 | 1.30 | 2.20 | .47 |
| NML100 | 1.60 | 2.30 | .57 |
| NML125 | 2.40 | 2.40 | .57 |
| NML150 | 2.60 | 2.75 | .57 |
| NML200 | 3.30 | 3.10 | .67 |

AMERICAN FITTINGS Corporation



Made in the USA Since 1946

LIQUID TIGHT CONNECTORS
Flexible Metal MS Connectors
Cannon Type Plug Adaptor
Size Range: 3/8" to 3/4"

Liquid Tight Flexible Metal MS Connectors (Cannon Type Plug Adaptor)

- UL rated Liquid Tight conduit to female thread
- For industrial applications where liquid tight conduit needs to be connected to female multi pin plug (Cannon type)
- Made from corrosion resistant machined steel, zinc plated

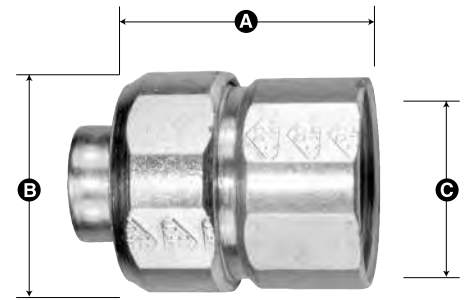


E93605



LR61799

SPEC-grade



Featuring:
EZ-Torque Compression Nut

Dimensional Table

| Cat. # | A | B | C |
|------------|------|------|-----|
| STR38807MS | 1.32 | 1.06 | .50 |
| STR3814MS | 1.32 | 1.06 | .50 |
| STR3818MS | 1.32 | 1.06 | .50 |
| STR5018MS | 1.32 | 1.13 | .53 |
| STR5020MS | 1.38 | 1.13 | .66 |
| STR7520MS | 1.38 | 1.43 | .67 |

| Cat. # | Size | AN-MS Conn Shell Size | Thread Size | Unit Ctn | Std Pkg | WT/ 100 |
|------------|------|-----------------------|--------------------|----------|---------|---------|
| STR38807MS | 3/8" | | 20.5mm x 1.25mm | 25 | 125 | 10 |
| STR3814MS | 3/8" | 14, 14S | 3/4"-20 UNEF 2B | 25 | 125 | 10 |
| STR3818MS | 3/8" | 18 | 1"-20 UNEF 2B | 25 | 125 | 10 |
| STR5018MS | 1/2" | 18 | 1"-20 UNEF 2B | 25 | 125 | 14 |
| STR5020MS | 1/2" | 20, 22 | 1-3/16"-18 UNEF 2B | 20 | 100 | 16 |
| STR7520MS | 3/4" | 20, 22 | 1-3/16"-18 UNEF 2B | 20 | 100 | 18 |

* Also available with stainless steel mesh

Raintight

| Cat. # | Size | AN-MS Conn Shell Size | Thread Size | Unit Ctn | Std Pkg | WT/ 100 |
|--------------|------|-----------------------|--------------------|----------|---------|---------|
| STR38807MSRT | 3/8" | | 20.5mm x 1.25mm | 25 | 125 | 10 |
| STR3814MSRT | 3/8" | 14, 14S | 3/4"-20 UNEF 2B | 25 | 125 | 10 |
| STR3818MSRT | 3/8" | 18 | 1"-20 UNEF 2B | 25 | 125 | 10 |
| STR5018MSRT | 1/2" | 18 | 1"-20 UNEF 2B | 25 | 125 | 14 |
| STR5020MSRT | 1/2" | 20, 22 | 1-3/16"-18 UNEF 2B | 20 | 100 | 16 |
| STR7520MSRT | 3/4" | 20, 22 | 1-3/16"-18 UNEF 2B | 20 | 100 | 18 |

Liquid Tight Connectors 11

AMFTGS.com

t: 800-221-5268

e: info@amftgs.com



Liquid Tight Connectors with Female Threaded Hubs and Chase Nipples

- For connecting liquid tight conduit into electrical box - inside low profile
- Provides versatility in threaded hub or panelboard applications
- Includes a sealing washer



Liquid Tight Female Hub

| Cat. # | Size | Unit Ctn | Std Pkg | WT/ 100 |
|------------|--------|----------|---------|---------|
| STR38FRCN | 3/8" | 25 | 125 | 16 |
| STR50FRCN | 1/2" | 25 | 125 | 17 |
| STR75FRCN | 3/4" | 25 | 125 | 25 |
| STR100FRCN | 1" | 5 | 25 | 40 |
| STR125FRCN | 1 1/4" | 5 | 25 | 73 |
| STR150FRCN | 1 1/2" | 5 | 25 | 90 |
| STR200FRCN | 2" | 5 | 25 | 117 |

Dimensional Table

| Cat. # | A | B | C | D |
|------------|------|------|-----|----------|
| STR38FRCN | 1.09 | 1.14 | .16 | 1" |
| STR50FRCN | 1.19 | 1.21 | .16 | 1" |
| STR75FRCN | 1.43 | 1.24 | .16 | 1 1/4" |
| STR100FRCN | 1.75 | 1.57 | .19 | 1 5/8" |
| STR125FRCN | 2.16 | 1.86 | .20 | 1 7/8" |
| STR150FRCN | 2.38 | 1.97 | .25 | 2 3/16" |
| STR200FRCN | 2.88 | 2.07 | .25 | 2 11/16" |

SPEC-grade



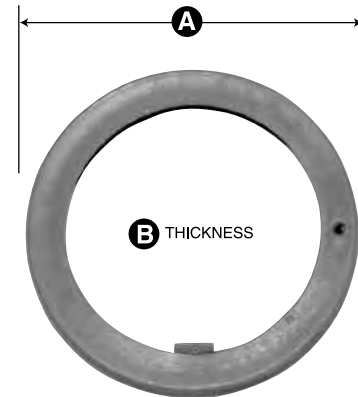
Featuring:
EZ-Torque Compression Nut



Sealing Washers

- Polyethylene
- Moisture resistant

SPEC-grade



| Cat. # | Size | Std Pkg | WT/ 100 |
|--------|--------|---------|---------|
| SW50 | 1/2" | 500 | .5 |
| SW75 | 3/4" | 500 | .5 |
| SW100 | 1" | 250 | 1 |
| SW125 | 1-1/4" | 250 | 1 |
| SW150 | 1-1/2" | 250 | 1 |
| SW200 | 2" | 250 | 2 |
| SW250 | 2-1/2" | 100 | 2 |
| SW300 | 3" | 100 | 2 |
| SW350 | 3-1/2" | 50 | 2 |
| SW400 | 4" | 50 | 2 |

Dimensional Table

| Cat. # | A Diameter | B Thickness |
|--------|------------|-------------|
| SW50 | 1.10 | .075 |
| SW75 | 1.34 | .080 |
| SW100 | 1.60 | .080 |
| SW125 | 1.93 | .080 |
| SW150 | 2.20 | .080 |
| SW200 | 2.57 | .080 |
| SW250 | 2.88 | .125 |
| SW300 | 3.52 | .125 |
| SW350 | 4.03 | .125 |
| SW400 | 4.52 | .125 |



Liquid Tight Ferrules Replacements

- Reusable
- Steel, zinc plated
- For improved sealing and grounding

SPEC-grade



Replacement Ferrules

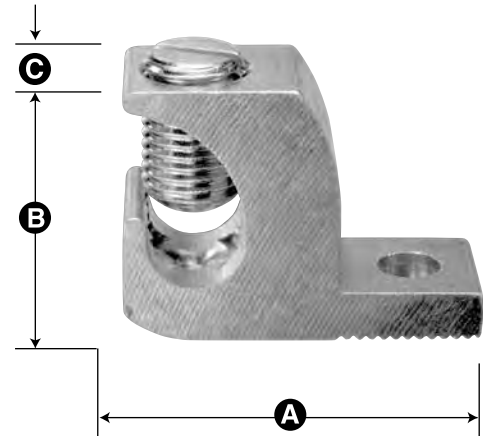
| Cat. # | Size | Unit Ctn | Std Pkg | WT/ 100 |
|---------|--------|----------|---------|---------|
| STR38F | 3/8" | 100 | 500 | 2 |
| STR50F | 1/2" | 100 | 500 | 2 |
| STR75F | 3/4" | 100 | 500 | 3 |
| STR100F | 1" | 50 | 250 | 3 |
| STR125F | 1-1/4" | 25 | 125 | 5 |
| STR150F | 1-1/2" | 10 | 50 | 6 |
| STR200F | 2" | 5 | 25 | 11 |
| STR250F | 2-1/2" | - | 1 | 23 |
| STR300F | 3" | - | 1 | 16 |
| STR350F | 3-1/2" | - | 1 | 50 |
| STR400F | 4" | - | 1 | 38 |

Liquid Tight Connectors 14



Solderless Lugs - Copper and Aluminum

- Lay-in connectors
- High strength, high conductive



Aluminum Alloy 6061

| Cat. # | Wire Range CU-AL | Unit Ctn | Std Pkg | WT/ 100 |
|--------|---------------------|-------------|------------|------------|
| GLA4 | 4-14 | 50 | 500 | 2 |
| GLA0 | 1/0-8 | 25 | 250 | 7 |
| GLA250 | 250 mcm-6 | 10 | 100 | 19 |

Dimensional Table

| Cat. # | A | B | C |
|--------|------|------|-----|
| GLA4 | 1.07 | .75 | .38 |
| GLA0 | 1.50 | 1.10 | .60 |
| GLA250 | 2.20 | 1.70 | .80 |

Copper

| Cat. # | Wire Range CU-AL | Unit Ctn | Std Pkg | WT/ 100 |
|--------|---------------------|-------------|------------|------------|
| GLCU4 | 4-14 | 50 | 500 | 6 |
| GLCU2 | 2-8 | 50 | 500 | 5 |

Dimensional Table

| Cat. # | A | B | C |
|--------|------|-----|-----|
| GLCU4 | 1.30 | .88 | .40 |
| GLCU2 | 1.47 | .92 | .48 |