

Liquidtight ST Series Plain Throat and STB Series Insulated Throat Connectors

For Liquidtight Flexible Metal Conduit

Suitable for use in Class I, Division 2

Applications

- Provides a dependable connection for liquidtight flexible metal conduit.

Features

- ST Series has plain throat.
- STB Series has insulated throat to protect against wire damage.
- Seals out oil, water, dust, dirt and fumes.
- Unique long ferrule with more pronounced threads provides over four times UL pull-out requirements.
- Ferrule provides maximum surface contact for better sealing and a continuous, permanent, positive metal-to-metal ground.
- Polypropylene sealing ring with locknut standard.
- Liquidtight/raintight/oiltight.
- Suitable for wet locations.
- Full, machined tapered threads (NPT).
- Compact design with small turning radius.
- Straight, 45° and 90° styles available in trade sizes 3/8" thru 4"

Standard Material/Finish

- 3/8" thru 1" straight: steel body and compression nut
- 1-1/4" thru 4" straight: malleable iron body and compression nut
- 3/8" thru 4" 45° and 90°: malleable iron body
- 3/8" thru 1" 45° and 90° caps: steel
- 1-1/4" thru 4" 45° and 90° caps: malleable iron
- 3/8" thru 1" ferrule: steel
- 1-1/4" thru 4" ferrule: aluminum
- Steel: zinc electroplate
- Malleable iron: zinc electroplate, chromate and epoxy powder coat/zinc electroplate
- Sealing ring: polypropylene

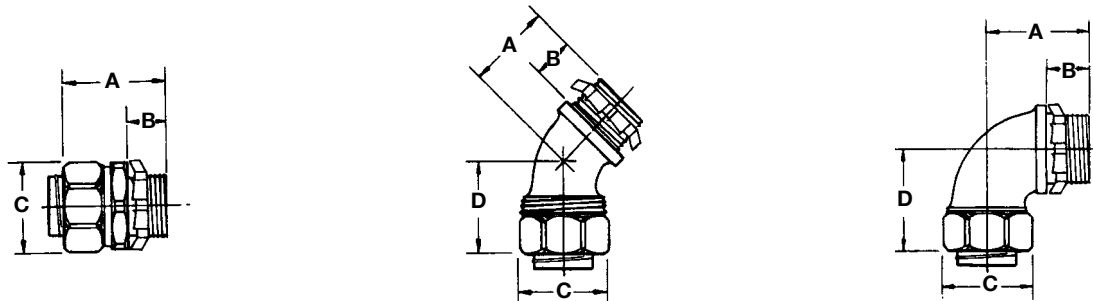
Certifications and Compliances

- UL Standard: 514B
- UL Listed: E14814
- CSA Standard C22.2 No. 18.3
- CSA Certified: 065178
- NEMA: FB-1

STD Conduit Thread Size

| Flexible Conduit Size (Inches) | NPT Size |
|--------------------------------|----------|
| 3/8 | 1/2 |
| 1/2 | 1/2 |
| 3/4 | 3/4 |
| 1 | 1 |
| 1-1/4 | 1-1/4 |
| 1-1/2 | 1-1/2 |
| 2 | 2 |
| 2-1/2 | 2-1/2 |
| 3 | 3 |
| 3-1/2 | 3-1/2 |
| 4 | 4 |
| 5 | 5 |





Dimensions



Liquidtight ST Series Plain Throat Connectors

For Liquidtight Flexible Metal Conduit

Suitable for use in Class I, Division 2

| | Catalog Number | Conduit Size (Inches) | Dimensions in Inches/Millimeters | | | | Weight Lbs./Kgs. Per 100 |
|---|----------------|-----------------------|----------------------------------|-----------|------------|-------------|--------------------------|
| | | | A | B | C | D | |
| Straight | | | | | | | |
|  | ST-38 | 3/8 flex, 1/2 hub | 1.44/36.6 | 0.63/16.0 | 1.13/28.7 | — | 16.00/7.26 |
| | ST-50 | 1/2 | 1.44/36.6 | 0.63/16.0 | 1.25/31.8 | — | 15.00/6.80 |
| | ST-75 | 3/4 | 1.50/38.1 | 0.63/16.0 | 1.50/38.1 | — | 22.00/9.98 |
| | ST-100 | 1 | 1.63/41.4 | 0.75/19.1 | 1.81/45.9 | — | 34.00/15.42 |
|  | ST-125 | 1-1/4 | 2.00/50.8 | 0.63/16.0 | 2.31/58.7 | — | 84.00/38.10 |
| | ST-150 | 1-1/2 | 2.25/57.2 | 0.63/16.0 | 2.63/66.8 | — | 120.00/54.43 |
| | ST-200 | 2 | 2.50/63.5 | 0.69/17.5 | 3.19/81.0 | — | 165.00/74.84 |
| | ST-250 | 2-1/2 | 3.38/85.9 | 1.06/26.9 | 3.94/100.1 | — | 350.00/158.76 |
| | ST-300 | 3 | 3.69/93.7 | 1.19/30.2 | 4.38/111.3 | — | 450.00/204.12 |
| | ST-350 | 3-1/2 | 3.69/93.7 | 1.19/30.2 | 5.00/127.0 | — | 525.00/238.13 |
| | ST-400 | 4 | 4.00/101.6 | 1.25/31.8 | 5.50/139.7 | — | 664.00/301.19 |
| | 45° | | | | | | |
|  | ST-4538 | 3/8 flex, 1/2 hub | 0.88/22.4 | 0.63/16.0 | 1.13/28.7 | 1.13/28.7 | 19.00/8.62 |
| | ST-4550 | 1/2 | 0.88/22.4 | 0.63/16.0 | 1.25/31.8 | 1.13/28.7 | 19.00/8.62 |
| | ST-4575 | 3/4 | 1.13/28.7 | 0.63/16.0 | 1.50/38.1 | 1.25/31.8 | 32.00/14.51 |
| | ST-45100 | 1 | 1.38/35.1 | 0.75/19.1 | 1.81/45.9 | 1.81/45.9 | 46.00/20.87 |
| | ST-45125 | 1-1/4 | 1.63/41.4 | 0.63/16.0 | 2.31/58.7 | 1.81/45.9 | 103.00/46.72 |
| | ST-45150 | 1-1/2 | 1.81/45.9 | 0.63/16.0 | 2.63/66.8 | 2.13/54.1 | 165.00/74.84 |
| | ST-45200 | 2 | 2.00/50.8 | 0.69/17.5 | 3.19/81.0 | 2.38/60.5 | 245.00/111.13 |
| | ST-45250 | 2-1/2 | 3.56/90.4 | 1.06/26.9 | 3.94/100.1 | 5.00/127.0 | 760.00/344.73 |
| | ST-45300 | 3 | 4.31/109.5 | 1.19/30.2 | 4.38/111.3 | 5.81/147.6 | 962.00/436.36 |
| | ST-45400 | 4 | 4.63/117.6 | 1.25/31.8 | 5.50/139.7 | 4.00/101.6 | 1512.00/685.83 |
| 90° | | | | | | | |
|  | ST-9038 | 3/8 flex, 1/2 hub | 1.25/31.8 | 0.63/16.0 | 1.13/28.7 | 1.50/38.1 | 22.80/10.34 |
| | ST-9050 | 1/2 | 1.25/31.8 | 0.63/16.0 | 1.25/31.8 | 1.50/38.1 | 23.00/10.43 |
| | ST-9075 | 3/4 | 1.44/36.6 | 0.63/16.0 | 1.50/38.1 | 1.56/39.6 | 39.00/17.69 |
| | ST-90100 | 1 | 1.38/35.1 | 0.75/19.1 | 1.81/45.9 | 1.88/47.8 | 62.00/28.12 |
| | ST-90125 | 1-1/4 | 1.81/45.9 | 0.63/16.0 | 2.31/58.7 | 2.38/60.5 | 114.00/51.71 |
| | ST-90150 | 1-1/2 | 2.44/61.9 | 0.63/16.0 | 2.63/66.8 | 3.19/81.0 | 195.00/88.45 |
| | ST-90200 | 2 | 2.63/66.8 | 0.69/17.5 | 3.19/81.0 | 3.56/90.4 | 290.00/131.54 |
| | ST-90250 | 2-1/2 | 7.19/182.6 | 1.06/26.9 | 3.94/100.1 | 8.44/214.4 | 843.00/382.38 |
| | ST-90300 | 3 | 8.63/219.2 | 1.19/30.2 | 4.38/111.3 | 10.13/257.3 | 1100.00/498.95 |
| | ST-90400 | 4 | 11.25/285.8 | 1.25/31.8 | 5.50/139.7 | 12.81/325.4 | 2100.00/952.54 |

Commercial Products

COMMERCIAL PRODUCTS: LIQUIDTIGHT CONDUIT FITTINGS

Liquidtight STB Series Insulated Throat Connectors

For Liquidtight Flexible Metal Conduit

Suitable for use in Class I, Division 2

| | Catalog Number | Conduit Size (Inches) | Dimensions in Inches/Millimeters | | | | Weight Lbs./Kgs. Per 100 |
|---|------------------|-----------------------|----------------------------------|-----------|------------|-------------|--------------------------|
| | | | A | B | C | D | |
| Straight | | | | | | | |
|  | STB-38 | 3/8 flex, 1/2 hub | 1.44/36.6 | 0.63/16.0 | 1.13/28.7 | — | 15.00/6.80 |
| | STB-50 | 1/2 | 1.44/36.6 | 0.63/16.0 | 1.25/31.8 | — | 16.00/7.26 |
| | STB-75 | 3/4 | 1.50/38.1 | 0.63/16.0 | 1.50/38.1 | — | 23.00/10.43 |
| | STB-100 | 1 | 1.63/41.4 | 0.75/19.1 | 1.81/45.9 | — | 34.00/15.42 |
| | STB-125 | 1-1/4 | 2.00/50.8 | 0.63/16.0 | 2.31/58.7 | — | 84.00/38.10 |
| | STB-150 | 1-1/2 | 2.25/57.2 | 0.63/16.0 | 2.63/66.8 | — | 119.00/53.98 |
| | STB-200 | 2 | 2.50/63.5 | 0.69/17.5 | 3.19/81.0 | — | 170.00/77.11 |
| | STB-250 | 2-1/2 | 3.38/85.9 | 1.06/26.9 | 3.94/100.1 | — | 340.00/154.22 |
| | STB-300 | 3 | 3.69/93.7 | 1.19/30.2 | 4.38/111.3 | — | 450.00/204.12 |
| | STB-350 | 3-1/2 | 3.69/93.7 | 1.19/30.2 | 5.00/127.0 | — | 530.00/240.40 |
| | STB-400 | 4 | 4.00/101.6 | 1.25/31.8 | 5.50/139.7 | — | 655.00/297.10 |
| 45° | | | | | | | |
|  | STB-4538 | 3/8 flex, 1/2 hub | 0.88/22.4 | 0.63/16.0 | 1.13/28.7 | 1.13/28.7 | 18.00/8.16 |
| | STB-4550 | 1/2 | 0.88/22.4 | 0.63/16.0 | 1.25/31.8 | 1.13/28.7 | 18.00/8.16 |
| | STB-4575 | 3/4 | 1.13/28.7 | 0.63/16.0 | 1.50/38.1 | 1.25/31.8 | 30.00/13.61 |
| | STB-45100 | 1 | 1.38/35.1 | 0.75/19.1 | 1.81/45.9 | 1.81/45.9 | 49.00/22.23 |
| | STB-45125 | 1-1/4 | 1.63/41.4 | 0.63/16.0 | 2.31/58.7 | 1.81/45.9 | 102.00/46.27 |
| | STB-45150 | 1-1/2 | 1.81/45.9 | 0.63/16.0 | 2.63/66.8 | 2.13/54.1 | 160.00/72.57 |
| | STB-45200 | 2 | 2.00/50.8 | 0.69/17.5 | 3.19/81.0 | 2.38/60.5 | 230.00/104.33 |
| | STB-45250 | 2-1/2 | 3.56/90.4 | 1.06/26.9 | 3.94/100.1 | 5.00/127.0 | 760.00/344.73 |
| | STB-45300 | 3 | 4.31/109.5 | 1.19/30.2 | 4.38/111.3 | 5.81/147.6 | 1000.00/453.59 |
| | STB-45400 | 4 | 4.63/117.6 | 1.25/31.8 | 5.50/139.7 | 4.00/101.6 | 1800.00/816.47 |
| 90° | | | | | | | |
|  | STB-9038 | 3/8 flex, 1/2 hub | 1.25/31.8 | 0.63/16.0 | 1.13/28.7 | 1.50/38.1 | 23.00/10.43 |
| | STB-9050 | 1/2 | 1.25/31.8 | 0.63/16.0 | 1.25/31.8 | 1.50/38.1 | 24.00/10.89 |
| | STB-9075 | 3/4 | 1.44/36.6 | 0.63/16.0 | 1.50/38.1 | 1.56/39.6 | 38.00/17.24 |
| | STB-90100 | 1 | 1.38/35.1 | 0.75/19.1 | 1.81/45.9 | 1.88/47.8 | 58.00/26.31 |
| | STB-90125 | 1-1/4 | 1.81/45.9 | 0.63/16.0 | 2.31/58.7 | 2.38/60.5 | 116.00/52.62 |
| | STB-90150 | 1-1/2 | 2.44/61.9 | 0.63/16.0 | 2.63/66.8 | 3.19/81.0 | 192.00/87.09 |
| | STB-90200 | 2 | 2.63/66.8 | 0.69/17.5 | 3.19/81.0 | 3.56/90.4 | 282.00/127.91 |
| | STB-90250 | 2-1/2 | 7.19/182.6 | 1.06/26.9 | 3.94/100.1 | 8.44/214.4 | 840.00/381.02 |
| | STB-90300 | 3 | 8.63/219.2 | 1.19/30.2 | 4.38/111.3 | 10.13/257.3 | 1100.00/498.95 |
| | STB-90400 | 4 | 11.25/285.8 | 1.25/31.8 | 5.50/139.7 | 12.81/325.4 | 2150.00/975.22 |

Commercial Products

COMMERCIAL PRODUCTS: LIQUIDTIGHT CONDUIT FITTINGS

Liquidtight ST Series Plain Throat and STB Series Insulated Throat Connectors

For Liquidtight Flexible Metal Conduit

Suitable for use in Class I, Division 2

Applications

- Provides a dependable connection for liquidtight flexible metal conduit.

Features

- ST Series has plain throat.
- STB Series has insulated throat to protect against wire damage.
- Seals out oil, water, dust, dirt and fumes.
- Unique long ferrule with more pronounced threads provides over four times UL pull-out requirements.
- Ferrule provides maximum surface contact for better sealing and a continuous, permanent, positive metal-to-metal ground.
- Polypropylene sealing ring with locknut standard.
- Liquidtight/raintight/oiltight.
- Suitable for wet locations.
- Full, machined tapered threads (NPT).
- Compact design with small turning radius.
- Straight, 45° and 90° styles available in trade sizes 3/8" thru 4"

Standard Material/Finish

- 3/8" thru 1" straight: steel body and compression nut
- 1-1/4" thru 4" straight: malleable iron body and compression nut
- 3/8" thru 4" 45° and 90°: malleable iron body
- 3/8" thru 1" 45° and 90° caps: steel
- 1-1/4" thru 4" 45° and 90° caps: malleable iron
- 3/8" thru 1" ferrule: steel
- 1-1/4" thru 4" ferrule: aluminum
- Steel: zinc electroplate
- Malleable iron: zinc electroplate, chromate and epoxy powder coat/zinc electroplate
- Sealing ring: polypropylene

Certifications and Compliances

- UL Standard: 514B
- UL Listed: E14814
- CSA Standard C22.2 No. 18.3
- CSA Certified: 065178
- NEMA: FB-1

STD Conduit Thread Size

| Flexible Conduit Size (Inches) | NPT Size |
|--------------------------------|----------|
| 3/8 | 1/2 |
| 1/2 | 1/2 |
| 3/4 | 3/4 |
| 1 | 1 |
| 1-1/4 | 1-1/4 |
| 1-1/2 | 1-1/2 |
| 2 | 2 |
| 2-1/2 | 2-1/2 |
| 3 | 3 |
| 3-1/2 | 3-1/2 |
| 4 | 4 |
| 5 | 5 |

Dimensions



Liquidtight ST Series Plain Throat Connectors

For Liquidtight Flexible Metal Conduit

Suitable for use in Class I, Division 2

| | Catalog Number | Conduit Size (Inches) | Dimensions in Inches/Millimeters | | | | Weight Lbs./Kgs. Per 100 |
|---|-----------------|-----------------------|----------------------------------|-----------|------------|-------------|--------------------------|
| | | | A | B | C | D | |
| Straight | | | | | | | |
|  | ST-38 | 3/8 flex, 1/2 hub | 1.44/36.6 | 0.63/16.0 | 1.13/28.7 | — | 16.00/7.26 |
| | ST-50 | 1/2 | 1.44/36.6 | 0.63/16.0 | 1.25/31.8 | — | 15.00/6.80 |
| | ST-75 | 3/4 | 1.50/38.1 | 0.63/16.0 | 1.50/38.1 | — | 22.00/9.98 |
| | ST-100 | 1 | 1.63/41.4 | 0.75/19.1 | 1.81/45.9 | — | 34.00/15.42 |
|  | ST-125 | 1-1/4 | 2.00/50.8 | 0.63/16.0 | 2.31/58.7 | — | 84.00/38.10 |
| | ST-150 | 1-1/2 | 2.25/57.2 | 0.63/16.0 | 2.63/66.8 | — | 120.00/54.43 |
| | ST-200 | 2 | 2.50/63.5 | 0.69/17.5 | 3.19/81.0 | — | 165.00/74.84 |
| | ST-250 | 2-1/2 | 3.38/85.9 | 1.06/26.9 | 3.94/100.1 | — | 350.00/158.76 |
| | ST-300 | 3 | 3.69/93.7 | 1.19/30.2 | 4.38/111.3 | — | 450.00/204.12 |
| | ST-350 | 3-1/2 | 3.69/93.7 | 1.19/30.2 | 5.00/127.0 | — | 525.00/238.13 |
| | ST-400 | 4 | 4.00/101.6 | 1.25/31.8 | 5.50/139.7 | — | 664.00/301.19 |
| | 45° | | | | | | |
|  | ST-4538 | 3/8 flex, 1/2 hub | 0.88/22.4 | 0.63/16.0 | 1.13/28.7 | 1.13/28.7 | 19.00/8.62 |
| | ST-4550 | 1/2 | 0.88/22.4 | 0.63/16.0 | 1.25/31.8 | 1.13/28.7 | 19.00/8.62 |
| | ST-4575 | 3/4 | 1.13/28.7 | 0.63/16.0 | 1.50/38.1 | 1.25/31.8 | 32.00/14.51 |
| | ST-45100 | 1 | 1.38/35.1 | 0.75/19.1 | 1.81/45.9 | 1.81/45.9 | 46.00/20.87 |
| | ST-45125 | 1-1/4 | 1.63/41.4 | 0.63/16.0 | 2.31/58.7 | 1.81/45.9 | 103.00/46.72 |
| | ST-45150 | 1-1/2 | 1.81/45.9 | 0.63/16.0 | 2.63/66.8 | 2.13/54.1 | 165.00/74.84 |
| | ST-45200 | 2 | 2.00/50.8 | 0.69/17.5 | 3.19/81.0 | 2.38/60.5 | 245.00/111.13 |
| | ST-45250 | 2-1/2 | 3.56/90.4 | 1.06/26.9 | 3.94/100.1 | 5.00/127.0 | 760.00/344.73 |
| | ST-45300 | 3 | 4.31/109.5 | 1.19/30.2 | 4.38/111.3 | 5.81/147.6 | 962.00/436.36 |
| | ST-45400 | 4 | 4.63/117.6 | 1.25/31.8 | 5.50/139.7 | 4.00/101.6 | 1512.00/685.83 |
| 90° | | | | | | | |
|  | ST-9038 | 3/8 flex, 1/2 hub | 1.25/31.8 | 0.63/16.0 | 1.13/28.7 | 1.50/38.1 | 22.80/10.34 |
| | ST-9050 | 1/2 | 1.25/31.8 | 0.63/16.0 | 1.25/31.8 | 1.50/38.1 | 23.00/10.43 |
| | ST-9075 | 3/4 | 1.44/36.6 | 0.63/16.0 | 1.50/38.1 | 1.56/39.6 | 39.00/17.69 |
| | ST-90100 | 1 | 1.38/35.1 | 0.75/19.1 | 1.81/45.9 | 1.88/47.8 | 62.00/28.12 |
| | ST-90125 | 1-1/4 | 1.81/45.9 | 0.63/16.0 | 2.31/58.7 | 2.38/60.5 | 114.00/51.71 |
| | ST-90150 | 1-1/2 | 2.44/61.9 | 0.63/16.0 | 2.63/66.8 | 3.19/81.0 | 195.00/88.45 |
| | ST-90200 | 2 | 2.63/66.8 | 0.69/17.5 | 3.19/81.0 | 3.56/90.4 | 290.00/131.54 |
| | ST-90250 | 2-1/2 | 7.19/182.6 | 1.06/26.9 | 3.94/100.1 | 8.44/214.4 | 843.00/382.38 |
| | ST-90300 | 3 | 8.63/219.2 | 1.19/30.2 | 4.38/111.3 | 10.13/257.3 | 1100.00/498.95 |
| | ST-90400 | 4 | 11.25/285.8 | 1.25/31.8 | 5.50/139.7 | 12.81/325.4 | 2100.00/952.54 |

Commercial Products

COMMERCIAL PRODUCTS: LIQUIDTIGHT CONDUIT FITTINGS

Liquidtight STB Series Insulated Throat Connectors

For Liquidtight Flexible Metal Conduit

Suitable for use in Class I, Division 2

| | Catalog Number | Conduit Size (Inches) | Dimensions in Inches/Millimeters | | | | Weight Lbs./Kgs. Per 100 |
|---|------------------|-----------------------|----------------------------------|-----------|------------|-------------|--------------------------|
| | | | A | B | C | D | |
| Straight | | | | | | | |
|  | STB-38 | 3/8 flex, 1/2 hub | 1.44/36.6 | 0.63/16.0 | 1.13/28.7 | — | 15.00/6.80 |
| | STB-50 | 1/2 | 1.44/36.6 | 0.63/16.0 | 1.25/31.8 | — | 16.00/7.26 |
| | STB-75 | 3/4 | 1.50/38.1 | 0.63/16.0 | 1.50/38.1 | — | 23.00/10.43 |
| | STB-100 | 1 | 1.63/41.4 | 0.75/19.1 | 1.81/45.9 | — | 34.00/15.42 |
| | STB-125 | 1-1/4 | 2.00/50.8 | 0.63/16.0 | 2.31/58.7 | — | 84.00/38.10 |
| | STB-150 | 1-1/2 | 2.25/57.2 | 0.63/16.0 | 2.63/66.8 | — | 119.00/53.98 |
| | STB-200 | 2 | 2.50/63.5 | 0.69/17.5 | 3.19/81.0 | — | 170.00/77.11 |
| | STB-250 | 2-1/2 | 3.38/85.9 | 1.06/26.9 | 3.94/100.1 | — | 340.00/154.22 |
| | STB-300 | 3 | 3.69/93.7 | 1.19/30.2 | 4.38/111.3 | — | 450.00/204.12 |
| | STB-350 | 3-1/2 | 3.69/93.7 | 1.19/30.2 | 5.00/127.0 | — | 530.00/240.40 |
| | STB-400 | 4 | 4.00/101.6 | 1.25/31.8 | 5.50/139.7 | — | 655.00/297.10 |
| 45° | | | | | | | |
|  | STB-4538 | 3/8 flex, 1/2 hub | 0.88/22.4 | 0.63/16.0 | 1.13/28.7 | 1.13/28.7 | 18.00/8.16 |
| | STB-4550 | 1/2 | 0.88/22.4 | 0.63/16.0 | 1.25/31.8 | 1.13/28.7 | 18.00/8.16 |
| | STB-4575 | 3/4 | 1.13/28.7 | 0.63/16.0 | 1.50/38.1 | 1.25/31.8 | 30.00/13.61 |
| | STB-45100 | 1 | 1.38/35.1 | 0.75/19.1 | 1.81/45.9 | 1.81/45.9 | 49.00/22.23 |
| | STB-45125 | 1-1/4 | 1.63/41.4 | 0.63/16.0 | 2.31/58.7 | 1.81/45.9 | 102.00/46.27 |
| | STB-45150 | 1-1/2 | 1.81/45.9 | 0.63/16.0 | 2.63/66.8 | 2.13/54.1 | 160.00/72.57 |
| | STB-45200 | 2 | 2.00/50.8 | 0.69/17.5 | 3.19/81.0 | 2.38/60.5 | 230.00/104.33 |
| | STB-45250 | 2-1/2 | 3.56/90.4 | 1.06/26.9 | 3.94/100.1 | 5.00/127.0 | 760.00/344.73 |
| | STB-45300 | 3 | 4.31/109.5 | 1.19/30.2 | 4.38/111.3 | 5.81/147.6 | 1000.00/453.59 |
| | STB-45400 | 4 | 4.63/117.6 | 1.25/31.8 | 5.50/139.7 | 4.00/101.6 | 1800.00/816.47 |
| 90° | | | | | | | |
|  | STB-9038 | 3/8 flex, 1/2 hub | 1.25/31.8 | 0.63/16.0 | 1.13/28.7 | 1.50/38.1 | 23.00/10.43 |
| | STB-9050 | 1/2 | 1.25/31.8 | 0.63/16.0 | 1.25/31.8 | 1.50/38.1 | 24.00/10.89 |
| | STB-9075 | 3/4 | 1.44/36.6 | 0.63/16.0 | 1.50/38.1 | 1.56/39.6 | 38.00/17.24 |
| | STB-90100 | 1 | 1.38/35.1 | 0.75/19.1 | 1.81/45.9 | 1.88/47.8 | 58.00/26.31 |
| | STB-90125 | 1-1/4 | 1.81/45.9 | 0.63/16.0 | 2.31/58.7 | 2.38/60.5 | 116.00/52.62 |
| | STB-90150 | 1-1/2 | 2.44/61.9 | 0.63/16.0 | 2.63/66.8 | 3.19/81.0 | 192.00/87.09 |
| | STB-90200 | 2 | 2.63/66.8 | 0.69/17.5 | 3.19/81.0 | 3.56/90.4 | 282.00/127.91 |
| | STB-90250 | 2-1/2 | 7.19/182.6 | 1.06/26.9 | 3.94/100.1 | 8.44/214.4 | 840.00/381.02 |
| | STB-90300 | 3 | 8.63/219.2 | 1.19/30.2 | 4.38/111.3 | 10.13/257.3 | 1100.00/498.95 |
| | STB-90400 | 4 | 11.25/285.8 | 1.25/31.8 | 5.50/139.7 | 12.81/325.4 | 2150.00/975.22 |

Commercial Products

COMMERCIAL PRODUCTS: LIQUIDTIGHT CONDUIT FITTINGS