


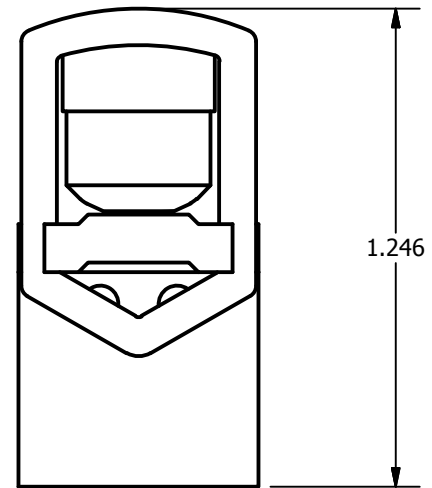
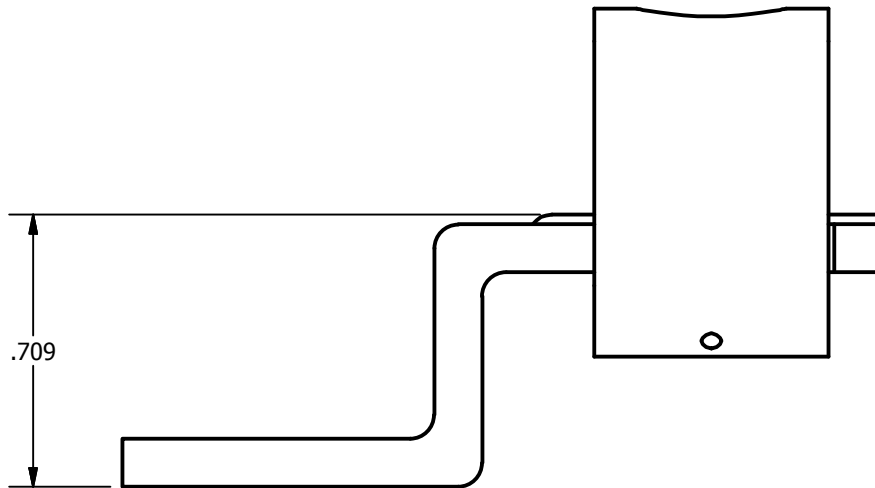
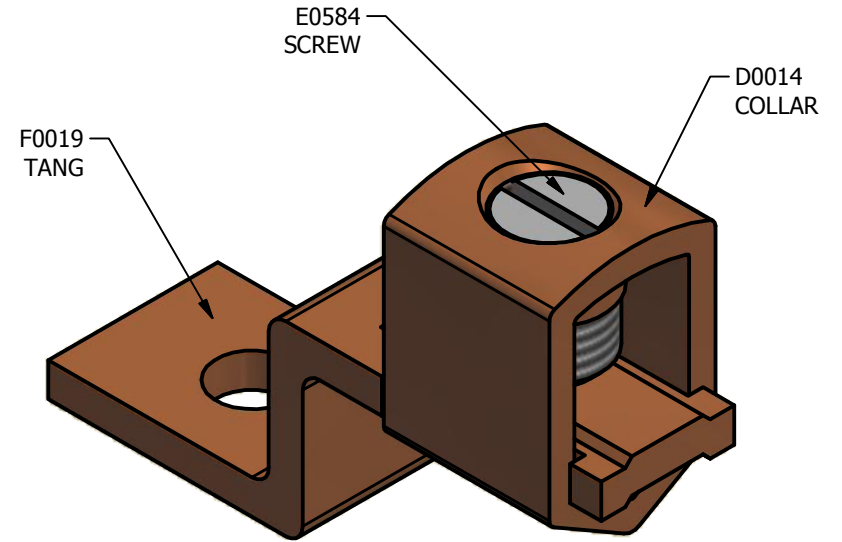
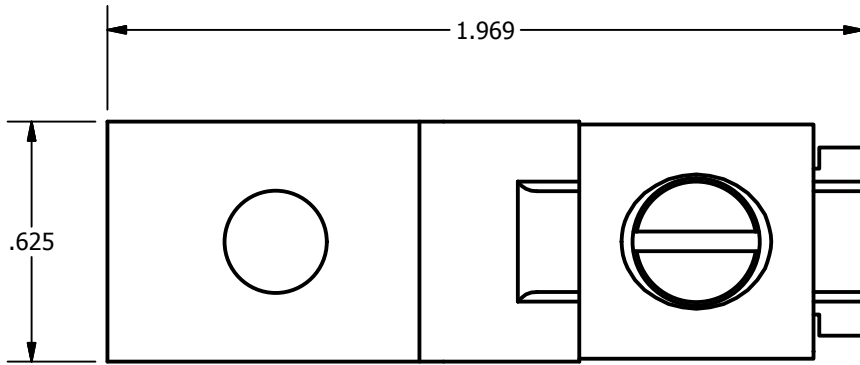




SCREW: E0584	MATERIAL: NONE	REV: A	 800-776-9775 www.ilsco.com		
CAT. NO.: SLU-125	PLATING: NONE	DRAWN BY: CLH			SCALE: 3:1
INFORMATION SHEET: FORM 1	MARKING: TANG: SLU-125   COLLAR: ILSCO, 1/0-6CU	DATE: 12/21/2011			SIZE: A
			DWG. NO. M7595-00 SHEET: 1 OF 1		



SCREW: E0584	MATERIAL: NONE	REV: A	ILSCO connections matter	
CAT. NO.: SLU-125	PLATING: NONE	DRAWN BY: CLH	SCALE: 3:1	800-776-9775 www.ilsco.com
INFORMATION SHEET: FORM 1	MARKING: TANG: SLU-125   COLLAR: ILSCO, 1/0-6CU	DATE: 12/21/2011	SIZE: A	DWG. NO. M7595-00
				SHEET: 1 OF 1

