



## NVENT CADDY SPEED LINK SLK WITH Y-HOOK, 9.9' LENGTH, 19.6" Y-LENGTH

### CATALOG NUMBER

**SLK2YH500L3**



### CERTIFICATIONS



### FEATURES

Complete system includes wire, locking device and two pre-assembled hook end fittings

Fastens to the building structure and hooks to hanging services and tray

Spring latch helps provide secure connection

Convenient design allows one hook to be temporarily detached for maintenance or to add cables to the tray

Single drop with double hook provides increased stability to the system

Also available in a single-hook end fitting configuration

### PRODUCT ATTRIBUTES

Material: Steel;Zinc Alloy;Polypropylene

Finish: Electrogalvanized

Static Load Safety Factor: 5:1

Complies With: SMACNA HVAC-DCS

Wire Rope Diameter: 2 mm

Wire Rope Length: 9.9'

Wire Rope "Y" Length (YL): 19.6"

A: 2.3"

B: 0.9"

C: 1/4"

Static Load (F): 100lb

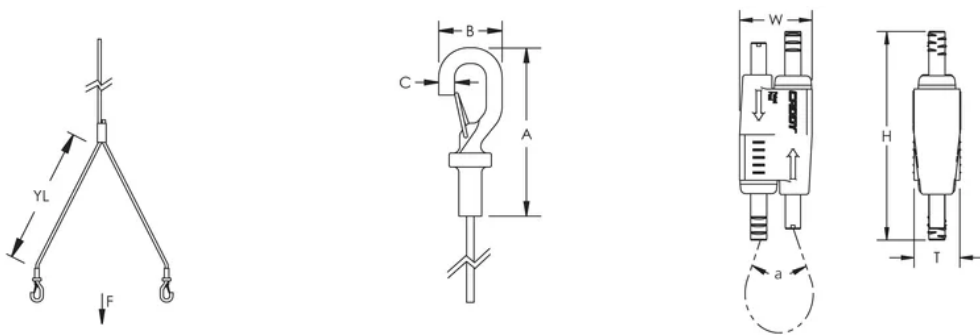
Height (H): 2.15"

Width (W): 3/4"

Thickness (T): 1/2"

Angle (a): 90 ° Max

## DIAGRAMS



## WARNING

nVent products shall be installed and used only as indicated in nVent's product instruction sheets and training materials. Instruction sheets are available at [www.nvent.com](http://www.nvent.com) and from your nVent customer service representative. Improper installation, misuse, misapplication or other failure to completely follow nVent's instructions and warnings may cause product malfunction, property damage, serious bodily injury and death and/or void your warranty.

### North America

+1.800.753.9221

Option 1 – Customer Care

Option 2 – Technical Support

### Europe

Netherlands:

+31 800-0200135

France:

+33 800 901 793

### Europe

Germany:

800 1890272

Other Countries:

+31 13 5835404

### APAC

Shanghai:

+ 86 21 2412 1618/19

Sydney:

+61 2 9751 8500



Our powerful portfolio of brands:  
nVent.com **CADDY ERICO HOFFMAN RAYCHEM SCHROFF**  
**TRACER**



## NVENT CADDY SPEED LINK SLK WITH Y-HOOK, 9.9' LENGTH, 19.6" Y-LENGTH

### CATALOG NUMBER

**SLK2YH500L3**



### CERTIFICATIONS



### FEATURES

Complete system includes wire, locking device and two pre-assembled hook end fittings

Fastens to the building structure and hooks to hanging services and tray

Spring latch helps provide secure connection

Convenient design allows one hook to be temporarily detached for maintenance or to add cables to the tray

Single drop with double hook provides increased stability to the system

Also available in a single-hook end fitting configuration

### PRODUCT ATTRIBUTES

Material: Steel;Zinc Alloy;Polypropylene

Finish: Electrogalvanized

Static Load Safety Factor: 5:1

Complies With: SMACNA HVAC-DCS

Wire Rope Diameter: 2 mm

Wire Rope Length: 9.9'

Wire Rope "Y" Length (YL): 19.6"

A: 2.3"

B: 0.9"

C: 1/4"

Static Load (F): 100lb

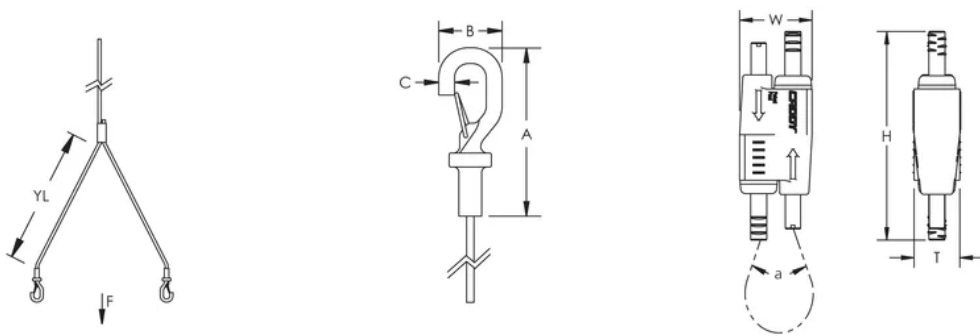
Height (H): 2.15"

Width (W): 3/4"

Thickness (T): 1/2"

Angle (a): 90 ° Max

## DIAGRAMS



## WARNING

nVent products shall be installed and used only as indicated in nVent's product instruction sheets and training materials. Instruction sheets are available at [www.nvent.com](http://www.nvent.com) and from your nVent customer service representative. Improper installation, misuse, misapplication or other failure to completely follow nVent's instructions and warnings may cause product malfunction, property damage, serious bodily injury and death and/or void your warranty.

### North America

+1.800.753.9221

Option 1 – Customer Care

Option 2 – Technical Support

### Europe

Netherlands:

+31 800-0200135

France:

+33 800 901 793

### Europe

Germany:

800 1890272

Other Countries:

+31 13 5835404

### APAC

Shanghai:

+ 86 21 2412 1618/19

Sydney:

+61 2 9751 8500



Our powerful portfolio of brands:  
**nVent.com CADDY ERICO HOFFMAN RAYCHEM SCHROFF**  
**TRACER**