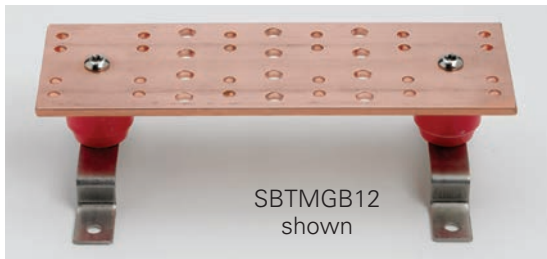
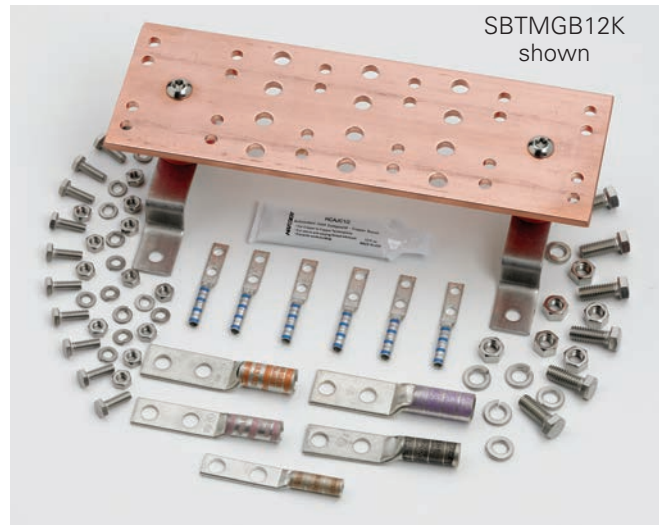


# Grounding Accessories

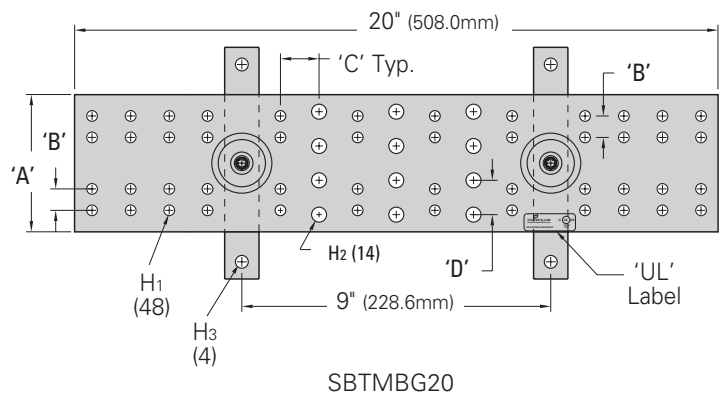
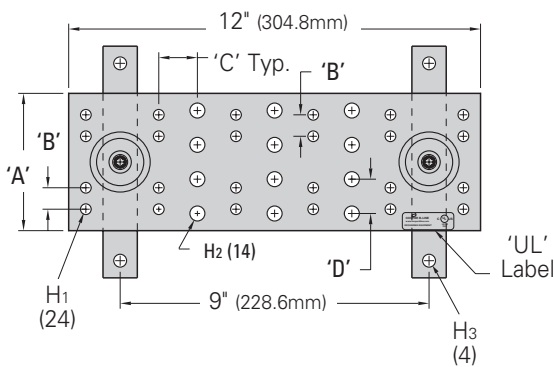
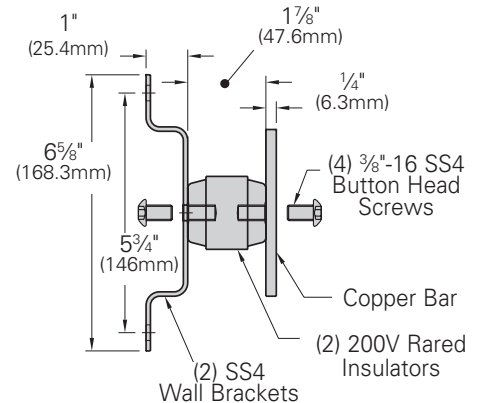
## Telecommunications Main Grounding Bar

- Used as a central consolidation point for telecommunications and other low voltage systems within the room
- Typically located on wall or entry room where exterior ground enters building
- Kit includes:
  - 1 - Grounding bar assembly
  - 6 - #6 compression lugs
  - 1 each - #2, 1/0, 2/0, 3/0 compression lugs
  - 12 each - 1/4"-20 x 3/4" (19.0mm) SS4 hex bolts, hex nuts & lock washers
  - 6 each - 3/8"-16 x 1" (25.4mm) SS4 hex bolts, hex nuts & lock washers
- Material: Copper bar and SS4 wall brackets



### Dimensional Data

- A = 4" (101.6mm)
- B = 5/8" (15.8mm)
- C = 1 1/4" (31.7mm)
- D = 1" (25.4mm)
- H1 = 5/16"Ø (7.9mm)
- H2 = 7/16"Ø (11.1mm)
- H3 = 3/8"Ø (9.5mm)

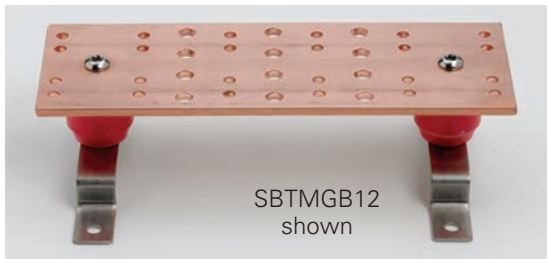
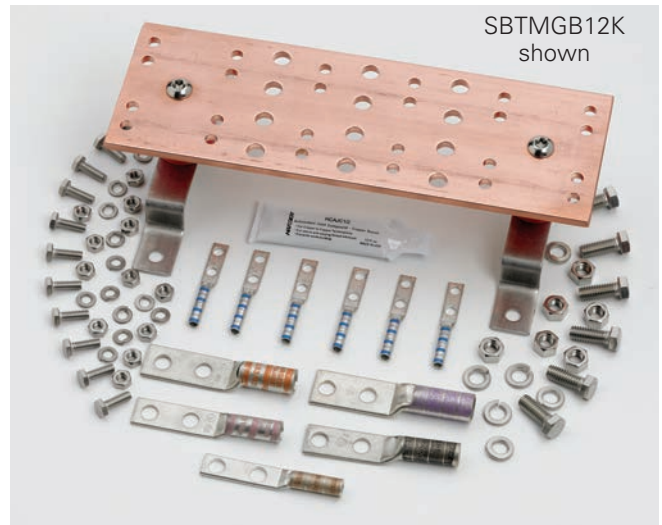


| Part Number | Includes                | Length |       | Wt./Ea. |        |
|-------------|-------------------------|--------|-------|---------|--------|
|             |                         | in.    | (mm)  | lbs.    | (kg)   |
| SBTMGB12    | Grounding Bar Assy      | 12"    | (305) | 4.7     | (2.13) |
| SBTMGB12K   | Bar Assy & Hardware Kit | 12"    | (305) | 7.7     | (3.49) |
| SBTMGB20    | Grounding Bar Assy      | 20"    | (508) | 7.1     | (3.22) |
| SBTMGB20K   | Bar Assy & Hardware Kit | 20"    | (508) | 10.1    | (4.58) |

# Grounding Accessories

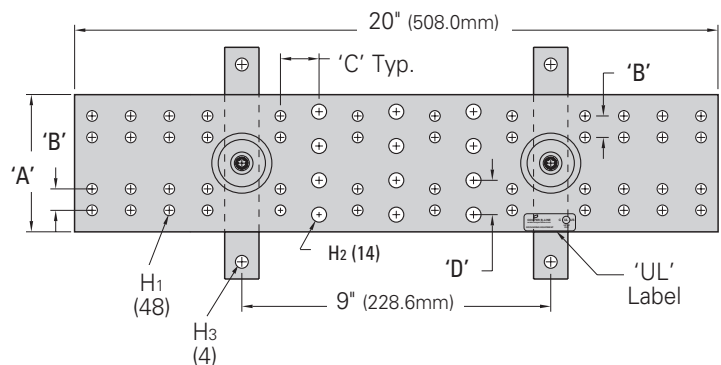
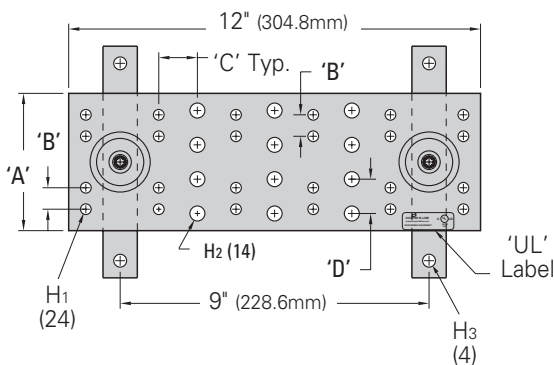
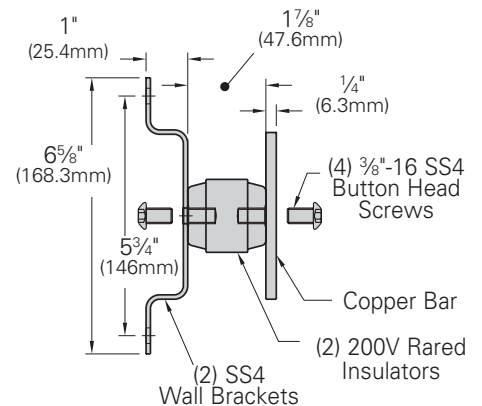
## Telecommunications Main Grounding Bar

- Used as a central consolidation point for telecommunications and other low voltage systems within the room
- Typically located on wall or entry room where exterior ground enters building
- Kit includes:
  - 1 - Grounding bar assembly
  - 6 - #6 compression lugs
  - 1 each - #2, 1/0, 2/0, 3/0 compression lugs
  - 12 each - 1/4"-20 x 3/4" (19.0mm) SS4 hex bolts, hex nuts & lock washers
  - 6 each - 3/8"-16 x 1" (25.4mm) SS4 hex bolts, hex nuts & lock washers
- Material: Copper bar and SS4 wall brackets



### Dimensional Data

- A = 4" (101.6mm)
- B = 5/8" (15.8mm)
- C = 1 1/4" (31.7mm)
- D = 1" (25.4mm)
- H1 = 5/16"Ø (7.9mm)
- H2 = 7/16"Ø (11.1mm)
- H3 = 3/8"Ø (9.5mm)



| Part Number | Includes                | Length |       | Wt./Ea. |        |
|-------------|-------------------------|--------|-------|---------|--------|
|             |                         | in.    | (mm)  | lbs.    | (kg)   |
| SBTMGB12    | Grounding Bar Assy      | 12"    | (305) | 4.7     | (2.13) |
| SBTMGB12K   | Bar Assy & Hardware Kit | 12"    | (305) | 7.7     | (3.49) |
| SBTMGB20    | Grounding Bar Assy      | 20"    | (508) | 7.1     | (3.22) |
| SBTMGB20K   | Bar Assy & Hardware Kit | 20"    | (508) | 10.1    | (4.58) |