



Soft starter, 180 A, 200 - 600 V AC, $U_s=24$ V DC, with control unit, Frame size T

Part no. **S811+T18N3S**
 Catalog No. **168984**
 Eaton Catalog No. **S811PLUST18N3S**
 EL-Nummer **4137468**
 (Norway)

Delivery program

Description			With internal bypass contacts
Function			Soft starter for three-phase loads, with control unit
Mains supply voltage (50/60 Hz)	U_{LN}	V AC	200 - 600
Supply voltage	U_s		24 V DC
Control voltage	U_c		24 V DC
Assigned motor rating (Standard connection, In-Line)			
at 400 V, 50 Hz	P	kW	90
at 460 V, 60 Hz	P	HP	150
Rated operational current			
AC-53	I_e	A	180
AC-53, In-Delta	I_e	A	311
Startup class			CLASS 10 (star-delta replacement) CLASS 20 (heavy starting duty $3 \times I_e$ for 45 s) CLASS 30 ($6 \times I_e$ for 30 s)
Rated operational voltage	U_e		200 V 230 V 400 V 480 V 600 V
Connection to SmartWire-DT			no
Frame size			T
Ordering information			Terminal blocks for the terminals are required for frame sizes T, U, and V -> Accessories

Technical data

General

Standards			IEC/EN 60947-4-2 UL 508 CSA22.2-14-1995 GB14048
Approvals			CE
Approvals			UL CSA C-Tick CCC
Climatic proofing			Damp heat, constant, to IEC 60068-2-3 Damp heat, cyclic, to IEC 60068-2-10
Ambient temperature			
Operation	θ	°C	-30 - +50
Storage	θ	°C	-50 - +70
Altitude		m	0 - 2000 m, above that each 100 m 0.5% Derating
Mounting position			As required
Degree of protection			
Degree of Protection			IP20 (terminals IP00)
Integrated			An IP20 degree of protection can be achieved on all sides by using optional terminal covers SS-IP20-TU.
Protection against direct contact			Finger- and back-of-hand proof
Overvoltage category/pollution degree			II/3
Shock resistance			15 g
Radio interference level (IEC/EN 55011)			A

Static heat dissipation, non-current-dependent	P _{Vs}	W	25
Weight		kg	18.6

Main conducting paths

Rated operating voltage	U _e	V AC	200 - 600
Supply frequency	f _{LN}	Hz	50/60
Rated operational current	I _e	A	
AC-53, In-Delta	I _e	A	311
AC-53	I _e	A	180
Assigned motor rating (Standard connection, In-Line)			
at 230 V, 50 Hz	P	kW	55
at 400 V, 50 Hz	P	kW	90
at 500 V, 50 Hz	P	kW	110
at 200 V, 60 Hz	P	HP	60
at 230 V, 60 Hz	P	HP	60
at 460 V, 60 Hz	P	HP	150
at 600 V, 60 Hz	P	HP	150
Assigned motor rating (delta connection)			
at 230 V, 50 Hz	P	kW	90
at 400 V, 50 Hz	P	kW	160
at 500 V, 50 Hz	P	kW	200
at 230 V, 60 Hz		HP	100
at 480 V, 60 Hz		HP	250
at 600 V, 60 Hz	P	HP	300
Overload cycle to IEC/EN 60947-4-2			
AC-53a			180 A: AC-53a: 4.0 - 32: 99 - 3
Internal bypass contacts			✓
Short-circuit rating			
Type "1" coordination			NZMN2-S200

Terminal capacities

Cable lengths			
Solid		mm ²	1 x (70 - 240) 2 x (25 - 240)
Flexible with ferrule		mm ²	1 x (70 - 240) 2 x (25 - 240)
Stranded		mm ²	1 x (70 - 240) 2 x (25 - 240)
Solid or stranded		AWG	1 x (4 - 500 kcmil) 2 x (4 - 500 kcmil)
Tightening torque		Nm	25.5 (≤ 150 mm ²); 28.3 (> 150 mm ²)
Screwdriver (PZ: Pozidriv)		mm	4 mm Hexagon socket-head screw
Control cables			
Solid		mm ²	1 x (2.5 - 4) 2 x (1.0 - 2.5)
Flexible with ferrule		mm ²	1 x (2.5 - 4) 2 x (1.0 - 2.5)
Stranded		mm ²	1 x (2.5 - 4) 2 x (1.0 - 2.5)
Solid or stranded		AWG	9 x (12 - 14) 2 x (12 - 14)
Tightening torque		Nm	0.4
Screwdriver		mm	0,6 x 3,5

Control circuit

Digital inputs			
Control voltage			
DC-operated		V DC	24 V DC +10 %/- 10 %
Current consumption 24 V		mA	
External 24 V		mA	150
External 24 V (no-load)		mA	100
Pick-up voltage		x U _s	

DC-operated		V DC	21.6 - 26.4
Drop-out voltage	$x U_s$		
DC operated		V DC	
Drop-out voltage, DC-operated, max.		V DC	3
Pick-up time			
DC operated		ms	100
Drop-out time			
DC operated		ms	100
Regulator supply			
Voltage	U_s	V	24 V DC +10 %/- 10 %
Current consumption	I_e	mA	1000
Current consumption at peak performance (close bypass) at 24 V DC	I_{Peak}	A/ms	10/150
Notes			External supply voltage
Analog inputs			
Number of current inputs			1
Current input		mA	4 - 20
Relay outputs			
Number			2
of which programmable			2
Voltage range		V AC	120 V AC/DC
AC-11 current range		A	3 A, AC-11

Soft start function

Ramp times			
Acceleration		s	
Ramp time, max.		s	180
Deceleration		s	0 - 60
Start voltage (= turn-off voltage)		%	
Start voltage, max.		%	85
Start pedestal		%	
Start voltage, max.		%	85
Kickstart			
Voltage		%	
Kickstart voltage, max.		%	100
Duration			
50 Hz		ms	
Kickstart Duration 50 Hz max.		ms	2000
60 Hz		ms	
Kickstart Duration 60 Hz max.		ms	2000
Fields of application			
Fields of application			Soft starting of three-phase asynchronous motors
3-phase motors			✓

Functions

Fast switching (semiconductor contactor)			- (minimum ramp time 1s)
Soft start function			✓
Reversing starter			External solution required (reversing contactor)
Suppression of closing transients			✓
Current limitation			✓
Overload monitoring			✓
Underload monitoring			✓
Fault memory		Faults	10
Suppression of DC components for motors			✓
Potential isolation between power and control sections			✓
Communication Interfaces			Modbus RTU

Design verification as per IEC/EN 61439

Technical data for design verification			
Rated operational current for specified heat dissipation	I_n	A	180
Heat dissipation per pole, current-dependent	P_{vid}	W	0
Equipment heat dissipation, current-dependent	P_{vid}	W	25
Static heat dissipation, non-current-dependent	P_{vs}	W	25
Heat dissipation capacity	P_{diss}	W	0
Operating ambient temperature min.		°C	-30
Operating ambient temperature max.		°C	50
IEC/EN 61439 design verification			
10.2 Strength of materials and parts			
10.2.2 Corrosion resistance			
			Meets the product standard's requirements.
10.2.3.1 Verification of thermal stability of enclosures			
			Meets the product standard's requirements.
10.2.3.2 Verification of resistance of insulating materials to normal heat			
			Meets the product standard's requirements.
10.2.3.3 Verification of resistance of insulating materials to abnormal heat and fire due to internal electric effects			
			Meets the product standard's requirements.
10.2.4 Resistance to ultra-violet (UV) radiation			
			Meets the product standard's requirements.
10.2.5 Lifting			
			Does not apply, since the entire switchgear needs to be evaluated.
10.2.6 Mechanical impact			
			Does not apply, since the entire switchgear needs to be evaluated.
10.2.7 Inscriptions			
			Meets the product standard's requirements.
10.3 Degree of protection of ASSEMBLIES			
			Does not apply, since the entire switchgear needs to be evaluated.
10.4 Clearances and creepage distances			
			Meets the product standard's requirements.
10.5 Protection against electric shock			
			Does not apply, since the entire switchgear needs to be evaluated.
10.6 Incorporation of switching devices and components			
			Does not apply, since the entire switchgear needs to be evaluated.
10.7 Internal electrical circuits and connections			
			Is the panel builder's responsibility.
10.8 Connections for external conductors			
			Is the panel builder's responsibility.
10.9 Insulation properties			
10.9.2 Power-frequency electric strength			
			Is the panel builder's responsibility.
10.9.3 Impulse withstand voltage			
			Is the panel builder's responsibility.
10.9.4 Testing of enclosures made of insulating material			
			Is the panel builder's responsibility.
10.10 Temperature rise			
			The panel builder is responsible for the temperature rise calculation. Eaton will provide heat dissipation data for the devices.
10.11 Short-circuit rating			
			Is the panel builder's responsibility. The specifications for the switchgear must be observed.
10.12 Electromagnetic compatibility			
			Is the panel builder's responsibility. The specifications for the switchgear must be observed.
10.13 Mechanical function			
			The device meets the requirements, provided the information in the instruction leaflet (IL) is observed.

Technical data ETIM 7.0

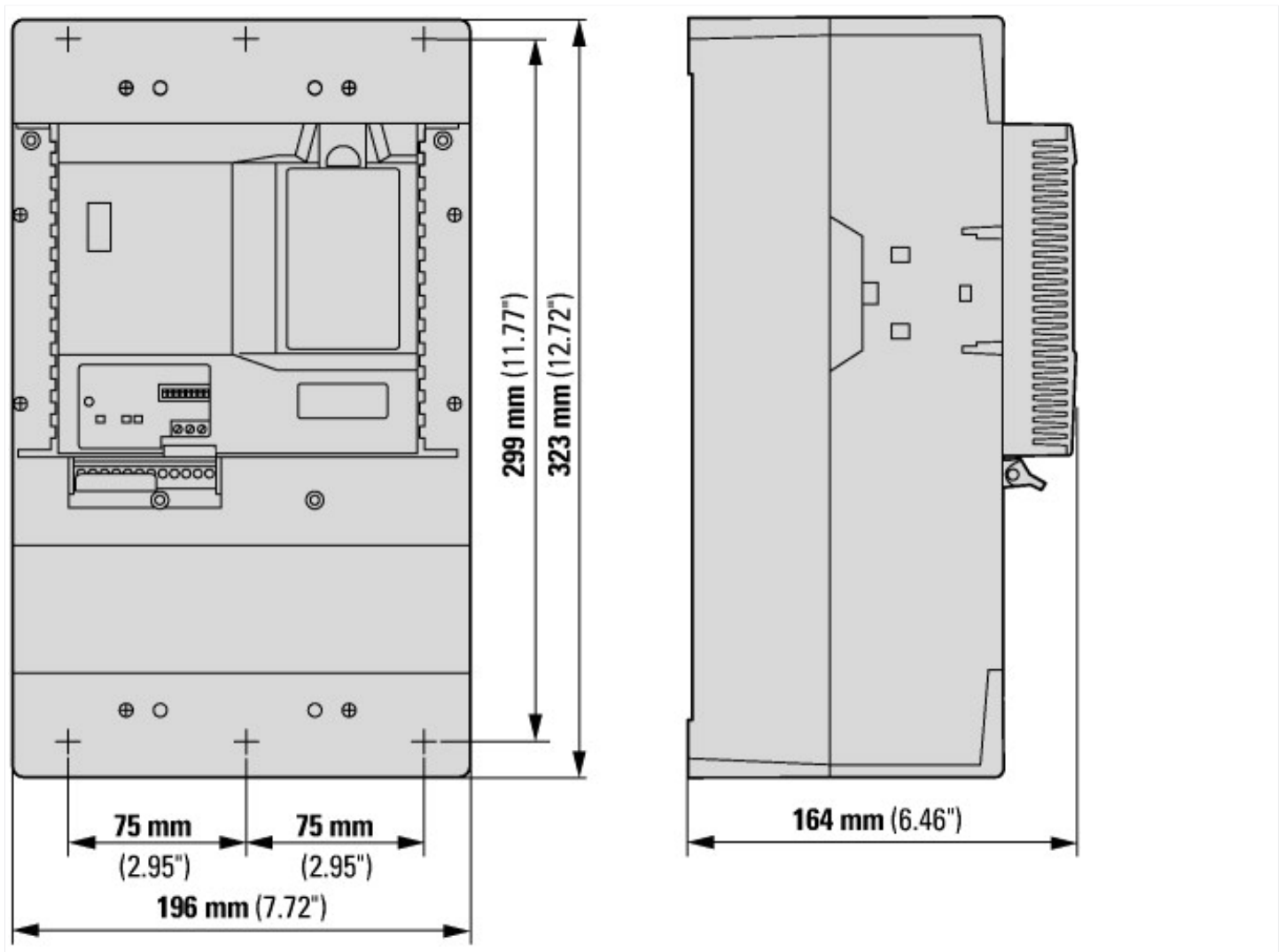
Low-voltage industrial components (EG000017) / Soft starter (EC000640)			
Electric engineering, automation, process control engineering / Low-voltage switch technology / Load breakout, motor breakout / Semiconductor motor controller or soft starter (ec1@ss10.0.1-27-37-09-07 [ACO300011])			
Rated operation current I_e at 40 °C T_u		A	180
Rated operating voltage U_e		V	200 - 600
Rated power three-phase motor, inline, at 230 V		kW	55
Rated power three-phase motor, inline, at 400 V		kW	90
Rated power three-phase motor, inside delta, at 230 V		kW	90
Rated power three-phase motor, inside delta, at 400 V		kW	160
Function			Single direction
Internal bypass			Yes
With display			Yes
Torque control			No
Rated surrounding temperature without derating		°C	50
Rated control supply voltage U_s at AC 50HZ		V	0 - 0
Rated control supply voltage U_s at AC 60HZ		V	0 - 0
Rated control supply voltage U_s at DC		V	24 - 24

Voltage type for actuating		DC
Voltage type for actuating		DC
Integrated motor overload protection		Yes
Release class		Adjustable
Degree of protection (IP)		IP00
Degree of protection (NEMA)		Other

Approvals

Product Standards		IEC/EN 60947-4-2; UL 508; CSA C22.2 No. 14; CE marking
UL File No.		E202571
UL Category Control No.		NMFT
CSA File No.		LR 353
CSA Class No.		3211-06, 2411-01
North America Certification		UL listed, CSA certified
Suitable for		Branch Circuits, not as BCPD
Max. Voltage Rating		600 Vac
Degree of Protection		IP20 with kit

Dimensions



Additional product information (links)

Documentation	http://www.eaton.eu/Europe/Electrical/ProductsServices/AutomationControl/SwitchingProtectingDrivingMotors/SoftStarters/S811/index.htm#tabs-4
---------------	---



Soft starter, 180 A, 200 - 600 V AC, $U_s=24$ V DC, with control unit, Frame size T

Part no. **S811+T18N3S**
 Catalog No. **168984**
 Eaton Catalog No. **S811PLUST18N3S**
 EL-Nummer **4137468**
 (Norway)

Delivery program

Description			With internal bypass contacts
Function			Soft starter for three-phase loads, with control unit
Mains supply voltage (50/60 Hz)	U_{LN}	V AC	200 - 600
Supply voltage	U_s		24 V DC
Control voltage	U_c		24 V DC
Assigned motor rating (Standard connection, In-Line)			
at 400 V, 50 Hz	P	kW	90
at 460 V, 60 Hz	P	HP	150
Rated operational current			
AC-53	I_e	A	180
AC-53, In-Delta	I_e	A	311
Startup class			CLASS 10 (star-delta replacement) CLASS 20 (heavy starting duty $3 \times I_e$ for 45 s) CLASS 30 ($6 \times I_e$ for 30 s)
Rated operational voltage	U_e		200 V 230 V 400 V 480 V 600 V
Connection to SmartWire-DT			no
Frame size			T
Ordering information			Terminal blocks for the terminals are required for frame sizes T, U, and V -> Accessories

Technical data

General

Standards			IEC/EN 60947-4-2 UL 508 CSA22.2-14-1995 GB14048
Approvals			CE
Approvals			UL CSA C-Tick CCC
Climatic proofing			Damp heat, constant, to IEC 60068-2-3 Damp heat, cyclic, to IEC 60068-2-10
Ambient temperature			
Operation	θ	°C	-30 - +50
Storage	θ	°C	-50 - +70
Altitude		m	0 - 2000 m, above that each 100 m 0.5% Derating
Mounting position			As required
Degree of protection			
Degree of Protection			IP20 (terminals IP00)
Integrated			An IP20 degree of protection can be achieved on all sides by using optional terminal covers SS-IP20-TU.
Protection against direct contact			Finger- and back-of-hand proof
Overvoltage category/pollution degree			II/3
Shock resistance			15 g
Radio interference level (IEC/EN 55011)			A

Static heat dissipation, non-current-dependent	P _{Vs}	W	25
Weight		kg	18.6

Main conducting paths

Rated operating voltage	U _e	V AC	200 - 600
Supply frequency	f _{LN}	Hz	50/60
Rated operational current	I _e	A	
AC-53, In-Delta	I _e	A	311
AC-53	I _e	A	180
Assigned motor rating (Standard connection, In-Line)			
at 230 V, 50 Hz	P	kW	55
at 400 V, 50 Hz	P	kW	90
at 500 V, 50 Hz	P	kW	110
at 200 V, 60 Hz	P	HP	60
at 230 V, 60 Hz	P	HP	60
at 460 V, 60 Hz	P	HP	150
at 600 V, 60 Hz	P	HP	150
Assigned motor rating (delta connection)			
at 230 V, 50 Hz	P	kW	90
at 400 V, 50 Hz	P	kW	160
at 500 V, 50 Hz	P	kW	200
at 230 V, 60 Hz		HP	100
at 480 V, 60 Hz		HP	250
at 600 V, 60 Hz	P	HP	300
Overload cycle to IEC/EN 60947-4-2			
AC-53a			180 A: AC-53a: 4.0 - 32: 99 - 3
Internal bypass contacts			✓
Short-circuit rating			
Type "1" coordination			NZMN2-S200

Terminal capacities

Cable lengths			
Solid		mm ²	1 x (70 - 240) 2 x (25 - 240)
Flexible with ferrule		mm ²	1 x (70 - 240) 2 x (25 - 240)
Stranded		mm ²	1 x (70 - 240) 2 x (25 - 240)
Solid or stranded		AWG	1 x (4 - 500 kcmil) 2 x (4 - 500 kcmil)
Tightening torque		Nm	25.5 (≤ 150 mm ²); 28.3 (> 150 mm ²)
Screwdriver (PZ: Pozidriv)		mm	4 mm Hexagon socket-head screw
Control cables			
Solid		mm ²	1 x (2.5 - 4) 2 x (1.0 - 2.5)
Flexible with ferrule		mm ²	1 x (2.5 - 4) 2 x (1.0 - 2.5)
Stranded		mm ²	1 x (2.5 - 4) 2 x (1.0 - 2.5)
Solid or stranded		AWG	9 x (12 - 14) 2 x (12 - 14)
Tightening torque		Nm	0.4
Screwdriver		mm	0,6 x 3,5

Control circuit

Digital inputs			
Control voltage			
DC-operated		V DC	24 V DC +10 %/- 10 %
Current consumption 24 V		mA	
External 24 V		mA	150
External 24 V (no-load)		mA	100
Pick-up voltage		x U _s	

DC-operated		V DC	21.6 - 26.4
Drop-out voltage	$x U_s$		
DC operated		V DC	
Drop-out voltage, DC-operated, max.		V DC	3
Pick-up time			
DC operated		ms	100
Drop-out time			
DC operated		ms	100
Regulator supply			
Voltage	U_s	V	24 V DC +10 %/- 10 %
Current consumption	I_e	mA	1000
Current consumption at peak performance (close bypass) at 24 V DC	I_{Peak}	A/ms	10/150
Notes			External supply voltage
Analog inputs			
Number of current inputs			1
Current input		mA	4 - 20
Relay outputs			
Number			2
of which programmable			2
Voltage range		V AC	120 V AC/DC
AC-11 current range		A	3 A, AC-11

Soft start function

Ramp times			
Acceleration		s	
Ramp time, max.		s	180
Deceleration		s	0 - 60
Start voltage (= turn-off voltage)		%	
Start voltage, max.		%	85
Start pedestal		%	
Start voltage, max.		%	85
Kickstart			
Voltage		%	
Kickstart voltage, max.		%	100
Duration			
50 Hz		ms	
Kickstart Duration 50 Hz max.		ms	2000
60 Hz		ms	
Kickstart Duration 60 Hz max.		ms	2000
Fields of application			
Fields of application			Soft starting of three-phase asynchronous motors
3-phase motors			✓

Functions

Fast switching (semiconductor contactor)			- (minimum ramp time 1s)
Soft start function			✓
Reversing starter			External solution required (reversing contactor)
Suppression of closing transients			✓
Current limitation			✓
Overload monitoring			✓
Underload monitoring			✓
Fault memory		Faults	10
Suppression of DC components for motors			✓
Potential isolation between power and control sections			✓
Communication Interfaces			Modbus RTU

Design verification as per IEC/EN 61439

Technical data for design verification			
Rated operational current for specified heat dissipation	I_n	A	180
Heat dissipation per pole, current-dependent	P_{vid}	W	0
Equipment heat dissipation, current-dependent	P_{vid}	W	25
Static heat dissipation, non-current-dependent	P_{vs}	W	25
Heat dissipation capacity	P_{diss}	W	0
Operating ambient temperature min.		°C	-30
Operating ambient temperature max.		°C	50
IEC/EN 61439 design verification			
10.2 Strength of materials and parts			
10.2.2 Corrosion resistance			
			Meets the product standard's requirements.
10.2.3.1 Verification of thermal stability of enclosures			
			Meets the product standard's requirements.
10.2.3.2 Verification of resistance of insulating materials to normal heat			
			Meets the product standard's requirements.
10.2.3.3 Verification of resistance of insulating materials to abnormal heat and fire due to internal electric effects			
			Meets the product standard's requirements.
10.2.4 Resistance to ultra-violet (UV) radiation			
			Meets the product standard's requirements.
10.2.5 Lifting			
			Does not apply, since the entire switchgear needs to be evaluated.
10.2.6 Mechanical impact			
			Does not apply, since the entire switchgear needs to be evaluated.
10.2.7 Inscriptions			
			Meets the product standard's requirements.
10.3 Degree of protection of ASSEMBLIES			
			Does not apply, since the entire switchgear needs to be evaluated.
10.4 Clearances and creepage distances			
			Meets the product standard's requirements.
10.5 Protection against electric shock			
			Does not apply, since the entire switchgear needs to be evaluated.
10.6 Incorporation of switching devices and components			
			Does not apply, since the entire switchgear needs to be evaluated.
10.7 Internal electrical circuits and connections			
			Is the panel builder's responsibility.
10.8 Connections for external conductors			
			Is the panel builder's responsibility.
10.9 Insulation properties			
10.9.2 Power-frequency electric strength			
			Is the panel builder's responsibility.
10.9.3 Impulse withstand voltage			
			Is the panel builder's responsibility.
10.9.4 Testing of enclosures made of insulating material			
			Is the panel builder's responsibility.
10.10 Temperature rise			
			The panel builder is responsible for the temperature rise calculation. Eaton will provide heat dissipation data for the devices.
10.11 Short-circuit rating			
			Is the panel builder's responsibility. The specifications for the switchgear must be observed.
10.12 Electromagnetic compatibility			
			Is the panel builder's responsibility. The specifications for the switchgear must be observed.
10.13 Mechanical function			
			The device meets the requirements, provided the information in the instruction leaflet (IL) is observed.

Technical data ETIM 7.0

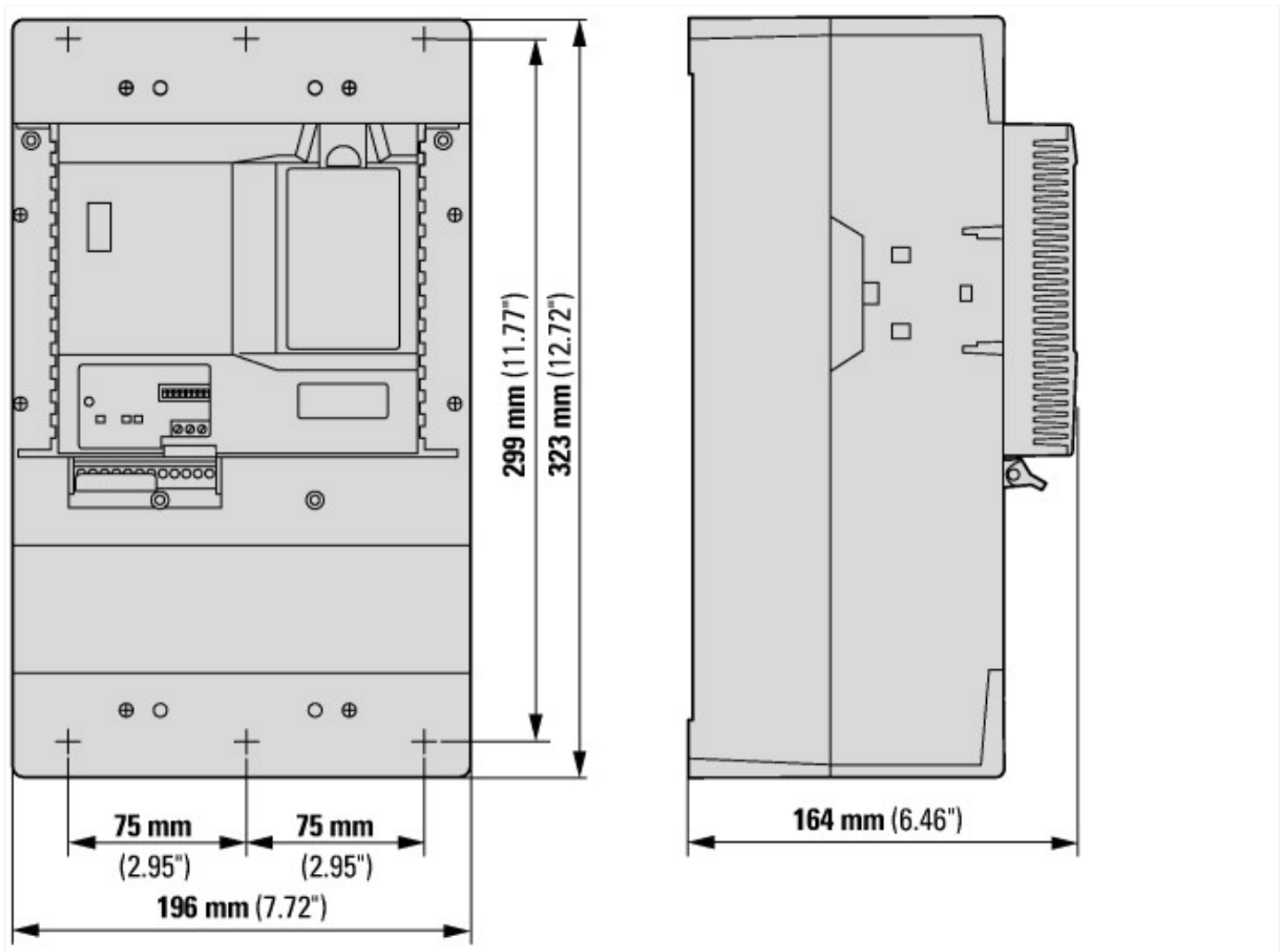
Low-voltage industrial components (EG000017) / Soft starter (EC000640)			
Electric engineering, automation, process control engineering / Low-voltage switch technology / Load breakout, motor breakout / Semiconductor motor controller or soft starter (ec1@ss10.0.1-27-37-09-07 [ACO300011])			
Rated operation current I_e at 40 °C T_u		A	180
Rated operating voltage U_e		V	200 - 600
Rated power three-phase motor, inline, at 230 V		kW	55
Rated power three-phase motor, inline, at 400 V		kW	90
Rated power three-phase motor, inside delta, at 230 V		kW	90
Rated power three-phase motor, inside delta, at 400 V		kW	160
Function			Single direction
Internal bypass			Yes
With display			Yes
Torque control			No
Rated surrounding temperature without derating		°C	50
Rated control supply voltage U_s at AC 50HZ		V	0 - 0
Rated control supply voltage U_s at AC 60HZ		V	0 - 0
Rated control supply voltage U_s at DC		V	24 - 24

Voltage type for actuating		DC
Voltage type for actuating		DC
Integrated motor overload protection		Yes
Release class		Adjustable
Degree of protection (IP)		IP00
Degree of protection (NEMA)		Other

Approvals

Product Standards		IEC/EN 60947-4-2; UL 508; CSA C22.2 No. 14; CE marking
UL File No.		E202571
UL Category Control No.		NMFT
CSA File No.		LR 353
CSA Class No.		3211-06, 2411-01
North America Certification		UL listed, CSA certified
Suitable for		Branch Circuits, not as BCPD
Max. Voltage Rating		600 Vac
Degree of Protection		IP20 with kit

Dimensions



Additional product information (links)

Documentation	http://www.eaton.eu/Europe/Electrical/ProductsServices/AutomationControl/SwitchingProtectingDrivingMotors/SoftStarters/S811/index.htm#tabs-4
---------------	---