

Accessories

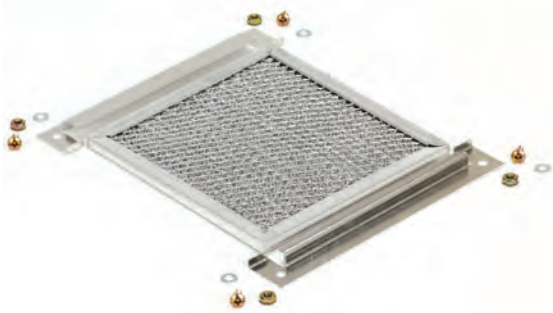
Bolt-On Accessories

Illustration Sheet and Catalog Number

Discount Schedule: C2

Subclass: DSO

Filters & Filter Adhesive



Designed for use with Louver Plate Kits. The Filter mounts securely inside of the enclosure using the brackets and hardware furnished with the kit. The Filter is comprised of finely woven aluminum strips which offers protection against airborne dust and dirt. Periodic washing with warm water is needed to keep the Filter clean. For best results, coating with Cooper B-Line Systems Air Filter Adhesive is recommended.

| Filters | |
|-----------------------|---------------------------------------|
| Filter Catalog Number | Used with Louver Plate Catalog Number |
| FLT33 | LPK33 |
| FLT34 | LPK34 |
| FLT43 | LPK43 |
| FLT44 | LPK44 |
| FLT64 | LPK64 |
| FLT66 | LPK66 |
| FLT84 | LPK84 |
| FLT86 | LPK86 |
| FLT88 | LPK88 |
| FLT812 | LPK812 |

Filter Adhesive



| Filter Adhesive | |
|-----------------|----------------------|
| Catalog Number | Description |
| FAS-412 | 14 oz. Aerosol Spray |

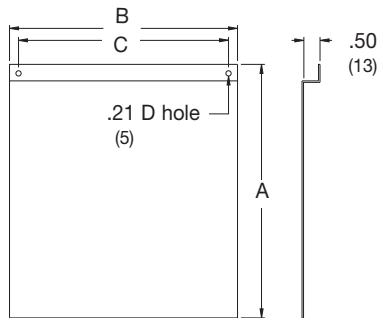
Use the filter adhesive to help increase efficiency of air filters. The adhesive spray helps trap small particles that normally pass through the filter and helps protect the elements within.

Notes: Dimensions are in inches. Millimeters shown are for reference only. Data subject to change without notice.

Bolt-On Accessories Illustration Sheet and Catalog Number

Discount Schedule: C2
Subclass: DSO

Baffle Plates



| Baffle Plate Catalog Number | A | | B | | C | | Used with Louver Plate Catalog Number |
|--------------------------------|-------|-----|------|-----|------|-----|---|
| | in. | mm | in. | mm | in. | mm | |
| BP23 | 3.25 | 83 | 3.25 | 83 | 2.50 | 64 | LKP23 |
| BP33 | 3.87 | 98 | 4.50 | 114 | 3.75 | 95 | LPK33 |
| BP34 | 4.75 | 121 | 4.50 | 114 | 3.75 | 95 | LPK34 |
| BP43 | 4.50 | 114 | 5.50 | 140 | 4.75 | 121 | LPK43 |
| BP44 | 5.62 | 143 | 5.50 | 140 | 4.75 | 121 | LPK44 |
| BP64 | 5.12 | 130 | 7.50 | 191 | 6.75 | 171 | LPK64 |
| BP66 | 7.37 | 187 | 7.50 | 191 | 6.75 | 171 | LPK66 |
| BP84 | 5.31 | 135 | 9.50 | 241 | 8.75 | 222 | LPK84 |
| BP86 | 7.68 | 195 | 9.50 | 241 | 8.75 | 222 | LPK86 |
| BP88 | 10.06 | 256 | 9.50 | 241 | 8.75 | 222 | LPK88 |
| BP812 | 14.81 | 376 | 9.50 | 241 | 8.75 | 222 | LPK812 |

Baffle Plates are intended to be used with Louver Plates when it is necessary to prevent direct access into the enclosure through the louver opening. The plate is designed to mount to the inside of the enclosure using the same cut-out and mounting holes required to mount the Louver Plate Kit. Plates are (16) gauge steel and have an ANSI 61 gray polyester powder finish. UL Listed.

Hole Seals



Painted Steel - U.L. listed as Type 3R, 12, 13, & 4



Stainless Steel - U.L. listed as Type 4X

| Oil-Tight Hole Seals | | | | | | |
|----------------------|-----------|--------------------------------------|--------------------|-----|--------------------|-----|
| Catalog Number | | Application | Max. Hole Diameter | | Hole Seal Diameter | |
| Steel | Stainless | | in. | mm | in. | mm |
| SPBG | SPBGSS | Miniature oil-tight pushbutton holes | 0.88 | 22 | 1.22 | 31 |
| SPB | SPBSS | Standard oil-tight pushbutton holes | 1.25 | 32 | 1.75 | 44 |
| S050 | S050SS | 1/2-inch conduit holes | .88 | 22 | 1.38 | 35 |
| S075 | S075SS | 3/4-inch conduit holes | 1.06 | 27 | 1.56 | 40 |
| S100 | S100SS | 1-inch conduit holes | 1.38 | 35 | 1.88 | 48 |
| S125 | S125SS | 1 1/4-inch conduit holes | 1.69 | 43 | 2.19 | 56 |
| S150 | S150SS | 1 1/2-inch conduit holes | 2.00 | 51 | 2.50 | 64 |
| S200 | S200SS | 2-inch conduit holes | 2.50 | 64 | 3.00 | 76 |
| S250 | S250SS | 2 1/2-inch conduit holes | 3.00 | 76 | 3.50 | 89 |
| S300 | S300SS | 3-inch conduit holes | 3.62 | 92 | 4.12 | 105 |
| S350 | S350SS | 3 1/2-inch conduit hole | 4.12 | 105 | 4.62 | 117 |
| S400 | S400SS | 4-inch conduit holes | 4.62 | 117 | 5.12 | 130 |

Protects knockout openings and extra pushbutton or conduit openings from dirt, oil, dust and water. Each hole seal has oil-resistant gasketing and plated stud and wing nut. Available in steel finished with ANSI 61 polyester powder or unpainted stainless steel.

Notes: Dimensions are in inches. Millimeters shown are for reference only. Data subject to change without notice.

Accessories

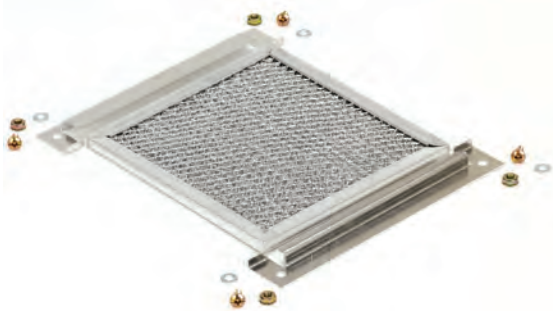
Bolt-On Accessories

Illustration Sheet and Catalog Number

Discount Schedule: C2

Subclass: DSO

Filters & Filter Adhesive



Designed for use with Louver Plate Kits. The Filter mounts securely inside of the enclosure using the brackets and hardware furnished with the kit. The Filter is comprised of finely woven aluminum strips which offers protection against airborne dust and dirt. Periodic washing with warm water is needed to keep the Filter clean. For best results, coating with Cooper B-Line Systems Air Filter Adhesive is recommended.

| Filters | |
|-----------------------|---------------------------------------|
| Filter Catalog Number | Used with Louver Plate Catalog Number |
| FLT33 | LPK33 |
| FLT34 | LPK34 |
| FLT43 | LPK43 |
| FLT44 | LPK44 |
| FLT64 | LPK64 |
| FLT66 | LPK66 |
| FLT84 | LPK84 |
| FLT86 | LPK86 |
| FLT88 | LPK88 |
| FLT812 | LPK812 |

Filter Adhesive



| Filter Adhesive | |
|-----------------|----------------------|
| Catalog Number | Description |
| FAS-412 | 14 oz. Aerosol Spray |

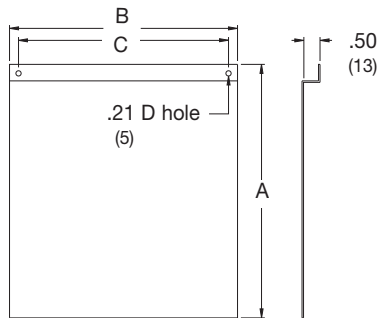
Use the filter adhesive to help increase efficiency of air filters. The adhesive spray helps trap small particles that normally pass through the filter and helps protect the elements within.

Notes: Dimensions are in inches. Millimeters shown are for reference only. Data subject to change without notice.

Bolt-On Accessories Illustration Sheet and Catalog Number

Discount Schedule: C2
Subclass: DSO

Baffle Plates



| Baffle Plate Catalog Number | A | | B | | C | | Used with Louver Plate Catalog Number |
|--------------------------------|-------|-----|------|-----|------|-----|---|
| | in. | mm | in. | mm | in. | mm | |
| BP23 | 3.25 | 83 | 3.25 | 83 | 2.50 | 64 | LKP23 |
| BP33 | 3.87 | 98 | 4.50 | 114 | 3.75 | 95 | LPK33 |
| BP34 | 4.75 | 121 | 4.50 | 114 | 3.75 | 95 | LPK34 |
| BP43 | 4.50 | 114 | 5.50 | 140 | 4.75 | 121 | LPK43 |
| BP44 | 5.62 | 143 | 5.50 | 140 | 4.75 | 121 | LPK44 |
| BP64 | 5.12 | 130 | 7.50 | 191 | 6.75 | 171 | LPK64 |
| BP66 | 7.37 | 187 | 7.50 | 191 | 6.75 | 171 | LPK66 |
| BP84 | 5.31 | 135 | 9.50 | 241 | 8.75 | 222 | LPK84 |
| BP86 | 7.68 | 195 | 9.50 | 241 | 8.75 | 222 | LPK86 |
| BP88 | 10.06 | 256 | 9.50 | 241 | 8.75 | 222 | LPK88 |
| BP812 | 14.81 | 376 | 9.50 | 241 | 8.75 | 222 | LPK812 |

Baffle Plates are intended to be used with Louver Plates when it is necessary to prevent direct access into the enclosure through the louver opening. The plate is designed to mount to the inside of the enclosure using the same cut-out and mounting holes required to mount the Louver Plate Kit. Plates are (16) gauge steel and have an ANSI 61 gray polyester powder finish. UL Listed.

Hole Seals



Painted Steel - U.L. listed as Type 3R, 12, 13, & 4



Stainless Steel - U.L. listed as Type 4X

| Oil-Tight Hole Seals | | | | | | | |
|----------------------|-----------|--------------------------------------|--------------------|-----|--------------------|-----|--|
| Catalog Number | | Application | Max. Hole Diameter | | Hole Seal Diameter | | |
| Steel | Stainless | | in. | mm | in. | mm | |
| SPBG | SPBGSS | Miniature oil-tight pushbutton holes | 0.88 | 22 | 1.22 | 31 | |
| SPB | SPBSS | Standard oil-tight pushbutton holes | 1.25 | 32 | 1.75 | 44 | |
| S050 | S050SS | 1/2-inch conduit holes | .88 | 22 | 1.38 | 35 | |
| S075 | S075SS | 3/4-inch conduit holes | 1.06 | 27 | 1.56 | 40 | |
| S100 | S100SS | 1-inch conduit holes | 1.38 | 35 | 1.88 | 48 | |
| S125 | S125SS | 1 1/4-inch conduit holes | 1.69 | 43 | 2.19 | 56 | |
| S150 | S150SS | 1 1/2-inch conduit holes | 2.00 | 51 | 2.50 | 64 | |
| S200 | S200SS | 2-inch conduit holes | 2.50 | 64 | 3.00 | 76 | |
| S250 | S250SS | 2 1/2-inch conduit holes | 3.00 | 76 | 3.50 | 89 | |
| S300 | S300SS | 3-inch conduit holes | 3.62 | 92 | 4.12 | 105 | |
| S350 | S350SS | 3 1/2-inch conduit hole | 4.12 | 105 | 4.62 | 117 | |
| S400 | S400SS | 4-inch conduit holes | 4.62 | 117 | 5.12 | 130 | |

Protects knockout openings and extra pushbutton or conduit openings from dirt, oil, dust and water. Each hole seal has oil-resistant gasketing and plated stud and wing nut. Available in steel finished with ANSI 61 polyester powder or unpainted stainless steel.

Notes: Dimensions are in inches. Millimeters shown are for reference only. Data subject to change without notice.