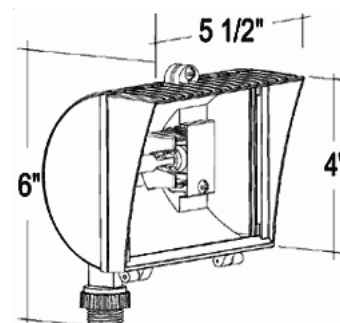


QF150F

The Mini Curve. High quality die cast flood with rounded back and integral glare shield. Tempered glass lens. Gold plated socket contacts and 250°C Teflon coated wires for extended lamp life. 150 watt double ended 130 volt Quartz halogen lamp supplied.

Color: Bronze

Weight: 1.6 lbs



Lamp Info

Type: T3
 Watts: 150W
 Shape/Size: N/A
 Base: N/A
 ANSI: N/A
 Hours: 2,000
 Lamp Lumens: 2,800
 Efficacy: 19 LPW

Ballast Info

Type: N/A
 120V: N/A
 208V: N/A
 240V: N/A
 277V: N/A
 Input Watts: 150W
 Efficiency: 100%

Technical Specifications

UL Listing:

Suitable for wet locations. Suitable for mounting within 1.2m (4ft) of the ground.

Housing:

Precision die cast aluminum housing, 1/2" NPS threaded arm with locking swivel fits all standard mounting boxes. Round back design with fins for heat dissipation to extend lamp life.

Lens Gasket:

High temperature silicone gasket stays in place during relamping.

Reflector:

Semi-specular anodized aluminum.

Sockets:

Porcelain RSC base sockets with gold plated, spring loaded contacts. Teflon coated wires to extend lamp life.

Lens:

5 mm thick, tempered glass lens.

Finish:

Durable polyester powder coat bronze or white finish.

Lamp:

High quality 130 volt Quartz Halogen lamp for extended life. Accepts both 150 and 200 watt lamps.

Replacement Lamp:

LQ150 .

Hardware:

Stainless steel external hardware.

Patents:

The unique RAB Quartz Curve is protected by U.S. Patent D565,223; China Patent ZL200730149209.5; Taiwan Patent D124,862 and Canada Patent D121,992

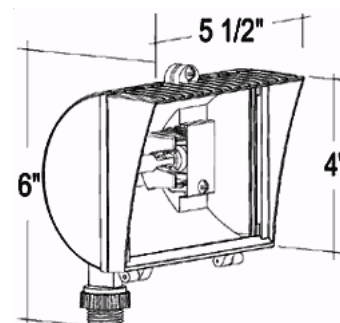


QF150F

The Mini Curve. High quality die cast flood with rounded back and integral glare shield. Tempered glass lens. Gold plated socket contacts and 250°C Teflon coated wires for extended lamp life. 150 watt double ended 130 volt Quartz halogen lamp supplied.

Color: Bronze

Weight: 1.6 lbs



Lamp Info

Type: T3
Watts: 150W
Shape/Size: N/A
Base: N/A
ANSI: N/A
Hours: 2,000
Lamp Lumens: 2,800
Efficacy: 19 LPW

Ballast Info

Type: N/A
120V: N/A
208V: N/A
240V: N/A
277V: N/A
Input Watts: 150W
Efficiency: 100%

Technical Specifications

UL Listing:

Suitable for wet locations. Suitable for mounting within 1.2m (4ft) of the ground.

Housing:

Precision die cast aluminum housing, 1/2" NPS threaded arm with locking swivel fits all standard mounting boxes. Round back design with fins for heat dissipation to extend lamp life.

Lens Gasket:

High temperature silicone gasket stays in place during relamping.

Reflector:

Semi-specular anodized aluminum.

Sockets:

Porcelain RSC base sockets with gold plated, spring loaded contacts. Teflon coated wires to extend lamp life.

Lens:

5 mm thick, tempered glass lens.

Finish:

Durable polyester powder coat bronze or white finish.

Lamp:

High quality 130 volt Quartz Halogen lamp for extended life. Accepts both 150 and 200 watt lamps.

Replacement Lamp:

LQ150 .

Hardware:

Stainless steel external hardware.

Patents:

The unique RAB Quartz Curve is protected by U.S. Patent D565,223; China Patent ZL200730149209.5; Taiwan Patent D124,862 and Canada Patent D121,992

