

Q45BW22 Series Sensors



Datasheet

90 V ac to 250 V ac photoelectric sensors with protected solid-state relay output



- Advanced one-piece photoelectric sensors with outstanding optical performance and extremely rugged design
- 90 V ac to 250 V ac
- Protected solid-state relay output; 300 mA max. load at up to 250 V ac
- Multiple sensing modes include: opposed, diffuse, retroreflective and convergent, plus glass and plastic fiber optic models
- Selectable light/dark operate
- Versatile plug-in modules available for output timing logic and/or signal strength display
- Highly visible Power, Signal (AID™ System¹), and Output indicator LEDs
- Choice of prewired 2 m (6.5 ft) or 9 m (30 ft) unterminated cable, plus Mini-style or Micro-style quick-disconnect fittings
- Versatile mounting options
- Designed to withstand 1200 psi washdown; exceeds its NEMA 6P and IEC IP67 rating



WARNING: Not To Be Used for Personnel Protection

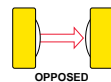
Never use this device as a sensing device for personnel protection. Doing so could lead to serious injury or death. This device does not include the self-checking redundant circuitry necessary to allow its use in personnel safety applications. A sensor failure or malfunction can cause either an energized or de-energized sensor output condition.

Models

To order the 9 m (30 ft) cable model, add the suffix "W/30" to the cabled model number. For example Q452E W/30. A model with a QD connector requires a mating cable.

Opposed-Mode Emitter (E) and Receiver (R) Models

Because of their extremely high excess gain, these opposed-mode sensors are an excellent option for sensing in contaminated or dirty areas, and are also the best choice for long-range sensing.



Infrared, 880 nm

| Models | Range | Cable | Supply Voltage | Output Type |
|---------------------|---------------|----------------------|--------------------|-----------------------|
| Q452E Emitter | 60 m (200 ft) | 2-wire 2m (6.5 ft) | 90 V ac to 250V ac | SPST Solidstate Relay |
| Q45BW22R Receiver | | 3-wire 2m (6.5 ft) | | |
| Q452EQ Emitter | | 3-Pin Mini-style QD | | |
| Q452EQ1 Emitter | | 4-Pin Micro-style QD | | |
| Q45BW22RQ Receiver | | 3-Pin Mini-style QD | | |
| Q45BW22RQ1 Receiver | | 4-Pin Micro-style QD | | |

¹ U.S. Patent no. 4356393



Retroreflective-Mode Models

The visible red sensing beam of these sensors makes them very easy to align. Model Q45BW22LP polarizes the emitted light and filters out unwanted reflections, making sensing possible in applications otherwise considered unsuited to retroreflective sensing. Performance is specified using the model BRT-3 3-inch reflector (go to www.bannerengineering.com for more information).

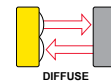


Visible red, 680 nm

| Non-Polarized Models | | | | |
|----------------------|--------------------------------|----------------------|---------------------|------------------------|
| Models | Range | Cable | Supply Voltage | Output Type |
| Q45BW22LV | 0.08 to 9 m (3 in to 30 ft) | 3-wire 2 m (6.5 ft) | 90 V ac to 250 V ac | SPST Solid-state Relay |
| Q45BW22LVQ | | 3-Pin Mini-style QD | | |
| Q45BW22LVQ1 | | 4-Pin Micro-style QD | | |
| Polarized Models | | | | |
| Models | Range | Cable | Supply Voltage | Output Type |
| Q45BW22LP | 0.15 to 6 m (6 in to 20 in) | 3-wire 2 m (6.5 ft) | 90 V ac to 250 V ac | SPST Solid-state Relay |
| Q45BW22LPQ | | 3-Pin Mini-style QD | | |
| Q45BW22LPQ1 | | 4-Pin Micro-style QD | | |

Diffuse-Mode Models

These diffuse-mode models detect objects by sensing the reflection of their own emitted light. Ideal for use when the reflectivity and profile of the object to be sensed are sufficient to return a large percentage of emitted light back to the sensor. Model Q45BW22DX is the first choice for diffuse-mode applications when there are no background objects to falsely return light.

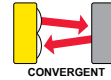


Infrared, 880 nm

| Short Range | | | | |
|-------------|---------------|----------------------|---------------------|------------------------|
| Model | Range | Cable | Supply Voltage | Output Type |
| Q45BW22D | 45 cm (18 in) | 3-wire 2 m (6.5 ft) | 90 V ac to 250 V ac | SPST Solid-state Relay |
| Q45BW22DQ | | 3-Pin Mini-style QD | | |
| Q45BW22DQ1 | | 4-Pin Micro-style QD | | |
| Long Range | | | | |
| Model | Range | Cable | Supply Voltage | Output Type |
| Q45BW22DL | 1.8 m (6 ft) | 3-wire 2 m (6.5 ft) | 90 V ac to 250 V ac | SPST Solid-state Relay |
| Q45BW22DLQ | | 3-Pin Mini-style QD | | |
| Q45BW22DLQ1 | | 4-Pin Micro-style QD | | |
| High Power | | | | |
| Model | Range | Cable | Supply Voltage | Output Type |
| Q45BW22DX | 3 m (10 ft) | 3-wire 2 m (6.5 ft) | 90 V ac to 250 V ac | SPST Solid-state Relay |
| Q45BW22DXQ | | 3-Pin Mini-style QD | | |
| Q45BW22DXQ1 | | 4-Pin Micro-style QD | | |

Convergent-Mode Models

These sensors are ideal for reflective sensing of very small parts or profiles, and can accurately sense the position of parts approaching from the side. Ignores all but highly reflective objects that are outside of the sensing range.

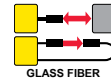
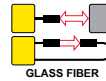


Visible red, 680 nm

| Models | Focus | Cable | Supply Voltage | Output Type |
|--------------|---|----------------------|---------------------|------------------------|
| Q45BW22CV | 38 mm (1.5 in) | 3-wire 2 m (6.5 ft) | 90 V ac to 250 V ac | SPST Solid-state Relay |
| Q45BW22CVQ | Spot Size at Focus: 1.3 mm (0.05 in) | 3-Pin Mini-style QD | | |
| Q45BW22CVQ1 | | 4-Pin Micro-style QD | | |
| Q45BW22CV4 | 100 mm (4 in) | 3-wire 2 m (6.5 ft) | 90 V ac to 250 V ac | SPST Solid-state Relay |
| Q45BW22CV4Q | Spot Size at Focus: 1.5 mm (0.06 in) | 3-Pin Mini-style QD | | |
| Q45BW22CV4Q1 | | 4-Pin Micro-style QD | | |

Glass Fiber-Optic Models

These models are an excellent choice for glass fiber optic applications where faster sensor response is not important. Their high excess gain means that opposed individual fibers can operate reliably in many very hostile environments. Also, special miniature bifurcated fiber optic assemblies with bundle sizes as small as .5 mm (.020 in) dia. may be used successfully for diffuse-mode sensing when using sensor model Q45BW22F(Q). For more information on compatible glass fiber optics, go to www.bannerengineering.com.

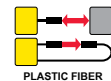


Infrared, 880 nm and Visible red, 650 nm

| Infrared, 880 nm | | | | |
|---------------------|--|----------------------|---------------------|------------------------|
| Models | Range | Cable | Supply Voltage | Output Type |
| Q45BW22F | Range varies by sensing mode and fiber optics used | 3-wire 2 m (6.5 ft) | 90 V ac to 250 V ac | SPST Solid-state Relay |
| Q45BW22FQ | | 3-Pin Mini-style QD | | |
| Q45BW22FQ1 | | 4-Pin Micro-style QD | | |
| Visible red, 650 nm | | | | |
| Models | Range | Cable | Supply Voltage | Output Type |
| Q45BW22FV | Range varies by sensing mode and fiber optics used | 3-wire 2 m (6.5 ft) | 90 V ac to 250 V ac | SPST Solid-state Relay |
| Q45BW22FVQ | | 3-Pin Mini-style QD | | |
| Q45BW22FVQ1 | | 4-Pin Micro-style QD | | |

Plastic Fiber-Optic Models

Lower in cost than glass fiber optics, plastic fiber optics are ideal for use in situations where environmental conditions allow (for example, low levels of acids, alkalis, and solvents). Most are easily cut to length in the field, and are available in a variety of sensing end styles. For more information on compatible plastic fiber optics, go to www.bannerengineering.com.



Visible red, 660 nm

| Model | Range | Cable | Supply Voltage | Output Type |
|-------------|--|----------------------|---------------------|------------------------|
| Q45BW22FP | Range varies by sensing mode and fiber optics used | 3-wire 2 m (6.5 ft) | 90 V ac to 250 V ac | SPST Solid-state Relay |
| Q45BW22FPQ | | 3-Pin Mini-style QD | | |
| Q45BW22FPQ1 | | 4-Pin Micro-style QD | | |

Overview

Status indicator LEDs for power, signal, and output are clearly visible beneath a raised dome in the sensor's transparent o-ring-sealed polycarbonate cover. Also located beneath the sensor's o-ring-sealed cover are controls for light/dark operate selection and the sensitivity adjustment.

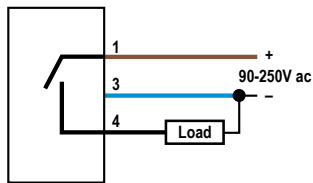
- The power indicator (green) lights when power is applied to the sensor.
- The signal indicator (red) lights when the sensor sees its modulated light source and pulses at a rate proportional to the strength of the received light signal; this is the AID™ Alignment Indicating Device².
- The output indicator (amber) lights when the sensor's output is conducting. This indicator is especially useful when a timing logic module is used and signal and output conditions are not concurrent.



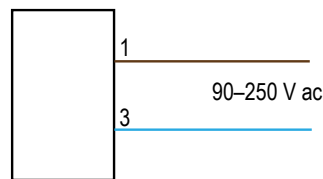
1. LEDs
 - Green LED: Power on indicator
 - Red LED: Signal indicator
 - Amber LED: Output status indicator
2. Optional LED signal strength display
3. Optional timing adjustment
4. Optional timing adjustment
5. Light/dark operate switch

Wiring Diagram

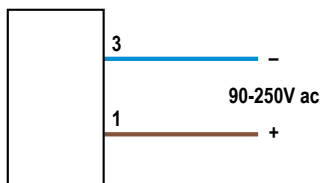
Attached Cable



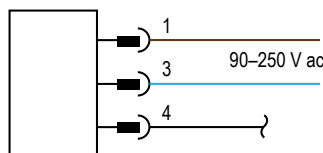
Emitter with Attached Cable



Quick-Disconnect 3-Pin Mini-Style (model suffix Q)



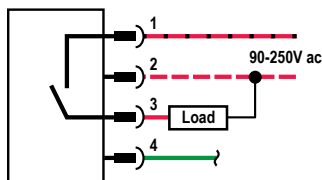
Emitter with Quick-Disconnect 3-Pin Mini-Style (model suffix Q)



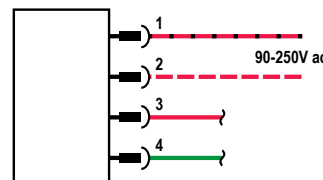
Key

- 1 = Brown
- 3 = Blue
- 4 = Black

Quick-Disconnect 4-Pin Micro-Style (model suffix Q1)



Emitter with Quick-Disconnect 4-Pin Micro-Style (model suffix Q1)



Key

- 1 = Red and black
- 2 = Red and white
- 3 = Red
- 4 = Green

² US patent no. 4356393

Specifications

Supply Voltage and Current

90 V ac to 250V ac (50 to 60 Hz)
 Average current: 20 mA
 Peak current: 500 mA at 120 V ac, 750 mA at 250 V ac

Supply Protection Circuitry

Protected against transient voltages

Output Configuration

Short circuit/overload protected FET solid-state relay

Output Rating

Continuous current: 300 mA max. to 50 °C (derate to 200 mA at 70 °C, 5 mA/°C)
 Inrush current: 3 A maximum for 100 milliseconds, 5 A maximum for 1 millisecond
 Off-state leakage current: <100 microamps
 Saturation voltage: <3 V at 200 mA

Output Protection Circuitry

Manually-resettable output latch-out trips in the event of an output overload or short circuit condition. The green Power LED flashes to indicate the latch-out. To reset the output, remove power to the sensor and load for 5 seconds, then restore power.

Output Response Time

Opposed mode: 2 milliseconds ON, 1 millisecond OFF
 All other sensing modes: 2 milliseconds ON/OFF



NOTE: 100 millisecond delay on power-up. Output is non-conducting during this time.

Required Overcurrent Protection



WARNING: Electrical connections must be made by qualified personnel in accordance with local and national electrical codes and regulations.

Overcurrent protection is required to be provided by end product application per the supplied table.
 Overcurrent protection may be provided with external fusing or via Current Limiting, Class 2 Power Supply.
 Supply wiring leads < 24 AWG shall not be spliced.
 For additional product support, go to www.bannerengineering.com.

| Supply Wiring (AWG) | Required Overcurrent Protection (Amps) |
|---------------------|--|
| 20 | 5.0 |
| 22 | 3.0 |
| 24 | 2.0 |
| 26 | 1.0 |
| 28 | 0.8 |
| 30 | 0.5 |

Repeatability

Opposed mode: 0.25 milliseconds
 All other sensing modes: 0.5 milliseconds
 Response time and repeatability specifications are independent of signal strength.

Adjustments

Located under the sensor's transparent cover: Light/Dark Operate select switch; and multi-turn Sensitivity control (allows precise sensitivity setting—turn clockwise to increase gain). Optional logic and logic/display modules have adjustable timing functions.

Indicators

Indicator LEDs are clearly visible beneath a raised transparent polycarbonate dome on top of the sensor.
 Power (green) LED: Lights whenever 90 V ac to 250 V ac power is applied, and flashes to indicate output overload or output short circuit
 Signal (red) AID™ System LED: Lights whenever the sensor sees its modulated light source, and pulses at a rate proportional to the strength of the received light signal
 Load (amber) LED: Lights whenever the output relay is energized
 Optional 7-element LED: Signal strength display module

Construction

Molded reinforced thermoplastic polyester housing, o-ring-sealed transparent polycarbonate cover, molded acrylic lenses, and stainless steel hardware. Q45s are designed to withstand 1200 psi washdown. The base of cabled models has a 1/2-in NPS integral internal conduit thread.

Environmental Rating

NEMA 6P, IEC IP67

Connections

PVC-jacketed 2 m (6.5 ft) or 9 m (30 ft) cables, or 3-pin Mini-style ("Q" suffix models) or 4-pin Micro-style ("Q1" suffix models) quick-disconnect (QD) fittings are available. QD cables are ordered separately.

Operating Conditions

Temperature: -40 °C to +70 °C (-40 °F to +158 °F)
 90% at +50 °C maximum relative humidity (non-condensing)

Application Notes

Optional output timing modules are available.

Certifications



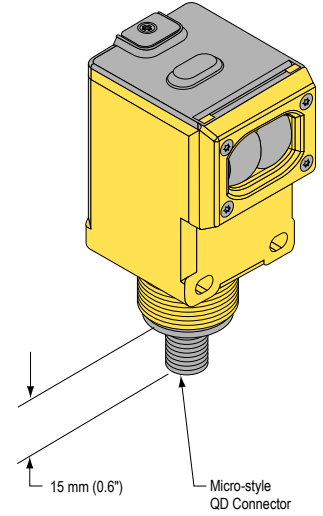
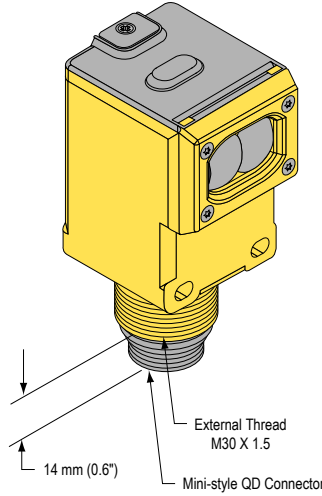
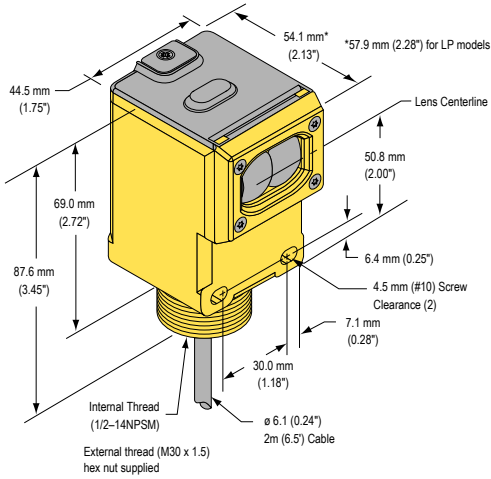
Dimensions

Opposed, Retro, and Diffuse Sensing Modes (Model Suffix E, R, D, DL, DX, LP, and LV)

Cabled Models

Mini-Style Quick-Disconnect Models

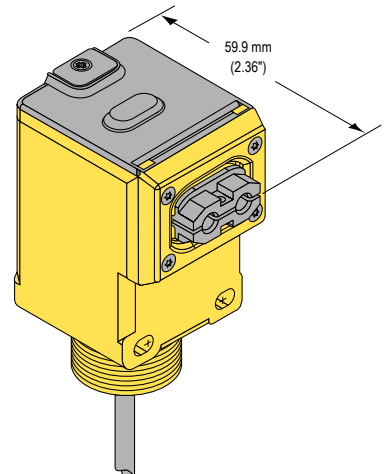
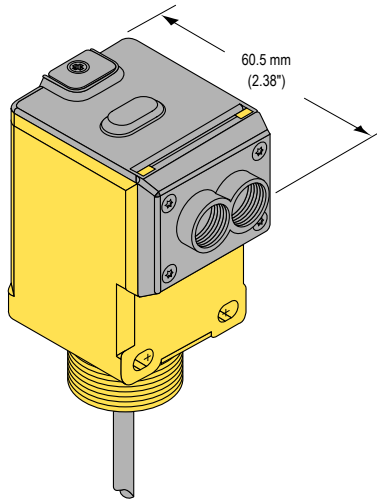
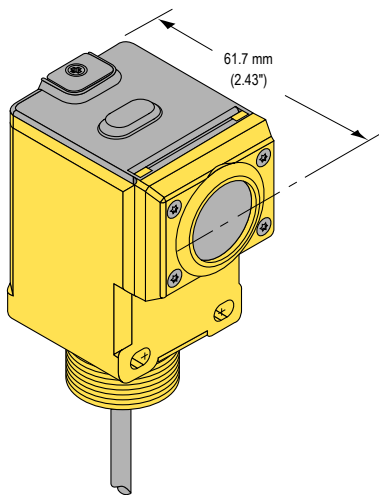
Micro-Style Quick Disconnect Models



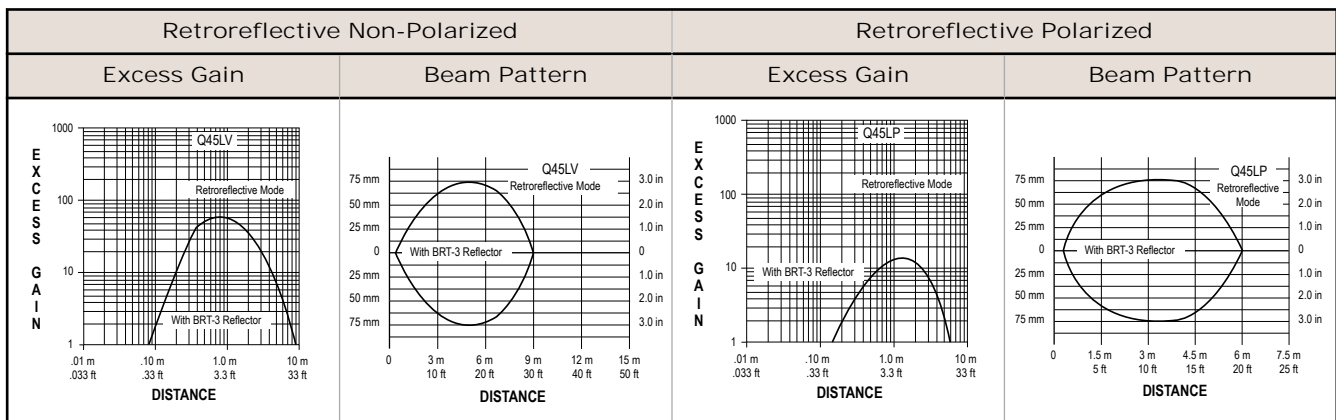
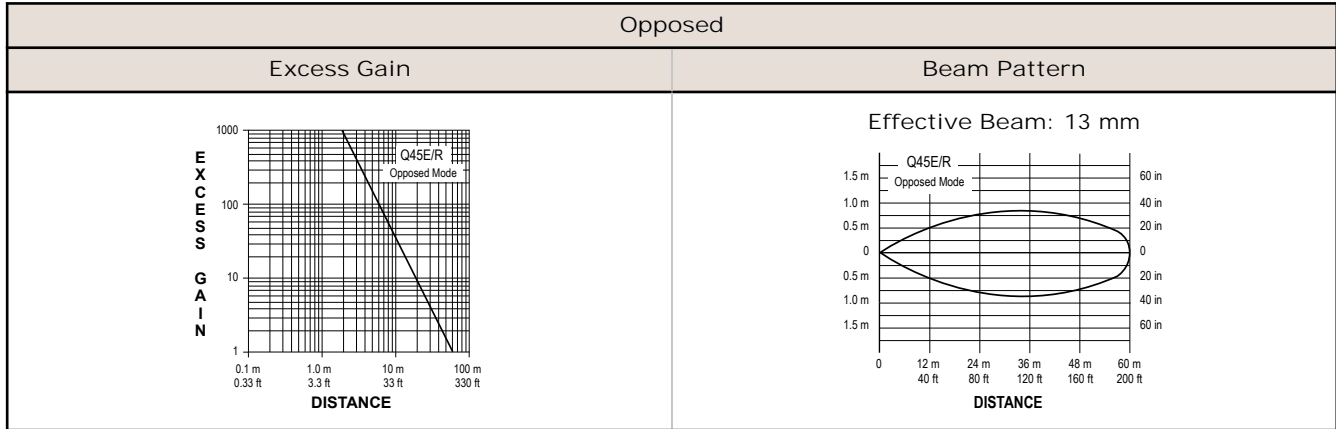
Convergent Sensor Models
(CV and CV4)

Glass Fiber Optic Models
(F and FV)

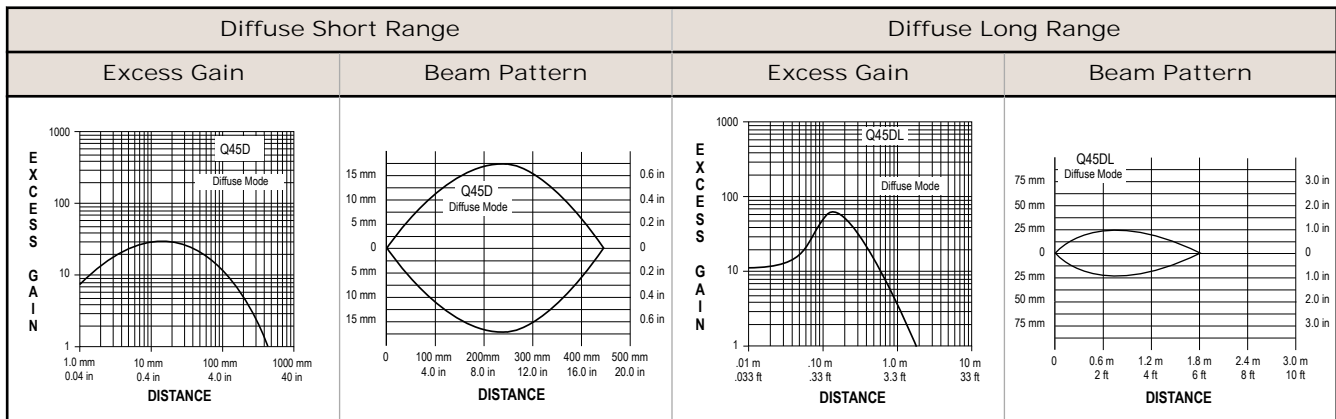
Plastic Fiber Optic Models
(FP)

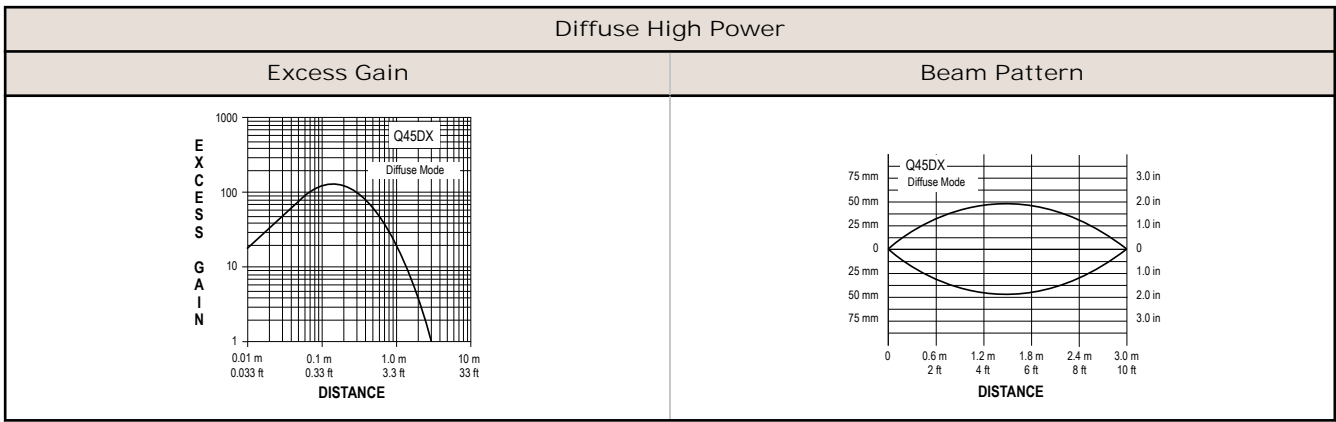


Performance Curves

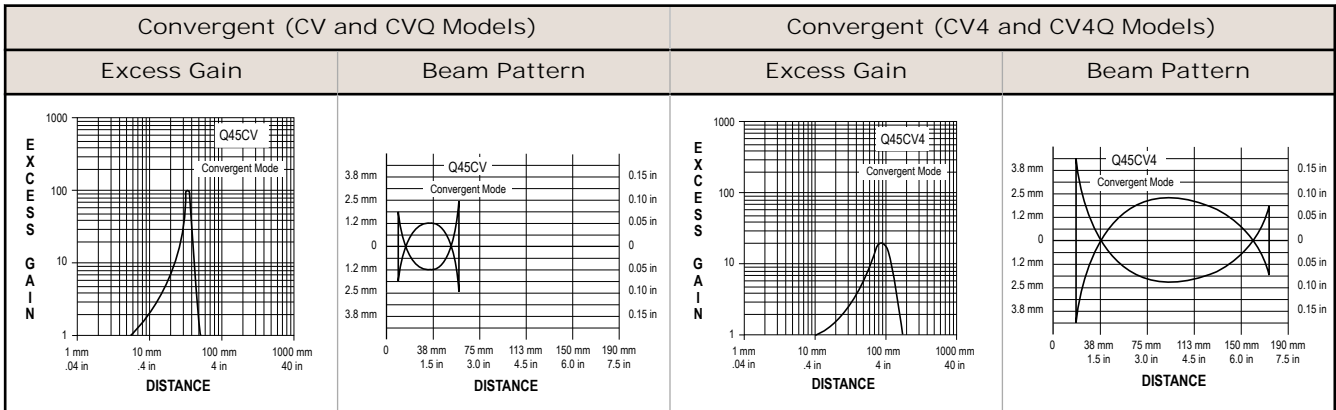


Diffuse-mode performance curves are based on a 90% reflectance white test card.

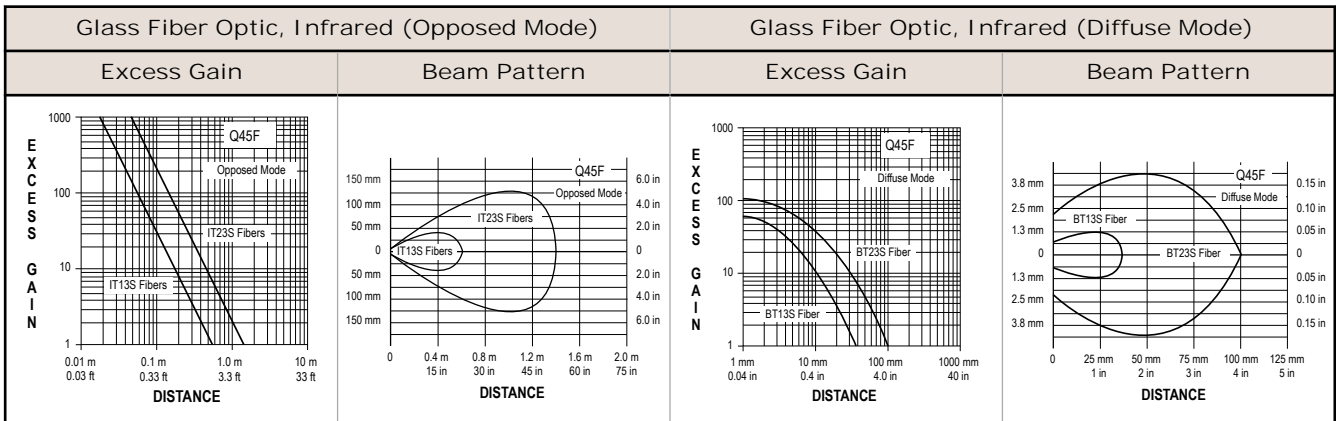


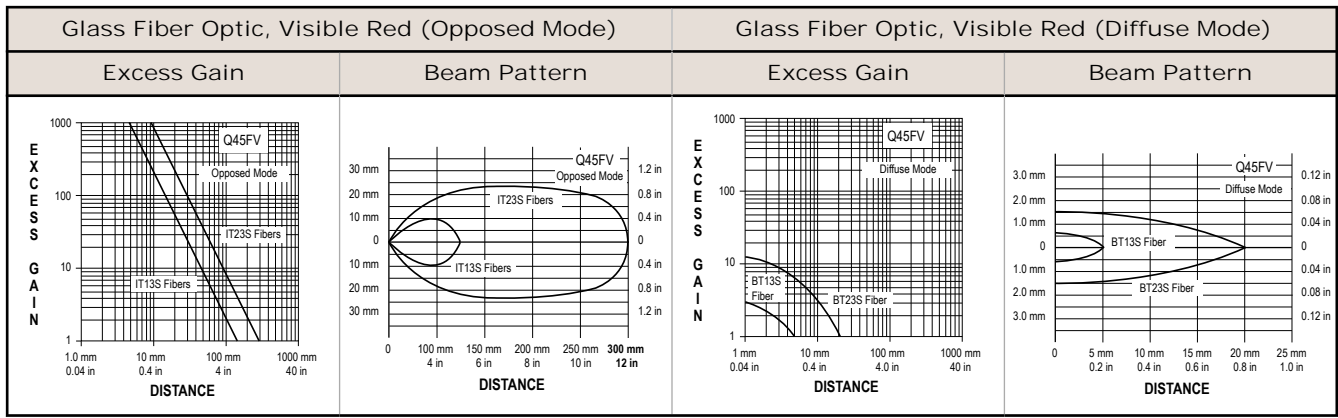


Convergent mode performance curves are based on a 90% reflectance white test card.

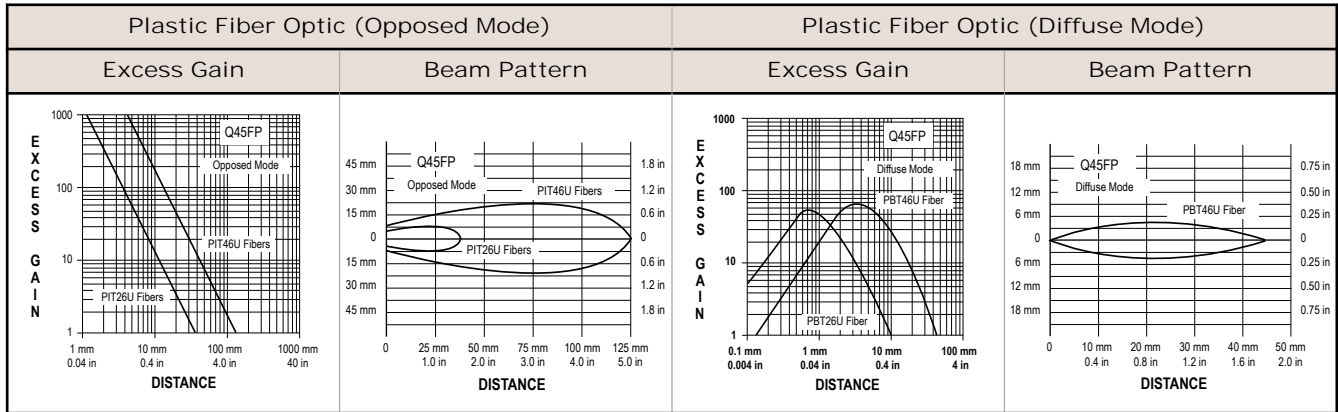


Glass fiber optic diffuse mode performance curves are based on a 90% reflectance white test card.





Plastic fiber optic Diffuse mode performance curves are based on a 90% reflectance white test card.



Accessories

Cordsets

| 3-Pin Mini-Style Cordsets | | | | |
|---------------------------|-----------------|----------|------------|-----------------|
| Model | Length | Style | Dimensions | Pinout (Female) |
| MBCC-306 | 1.83 m (6.5 ft) | Straight | | |
| MBCC-312 | 3.66 m (12 ft) | | | |
| MBCC-330 | 9.14 m (30 ft) | | | |

1 = Black
2 = Brown
3 = Blue

| 4-Pin Micro-Style Cordsets | | | | |
|----------------------------|----------------|----------|------------|-----------------|
| Model | Length | Style | Dimensions | Pinout (Female) |
| MQAC-406 | 1.83 m (6 ft) | Straight | | |
| MQAC-415 | 4.57 m (15 ft) | | | |
| MQAC-430 | 9.14 m (30 ft) | | | |

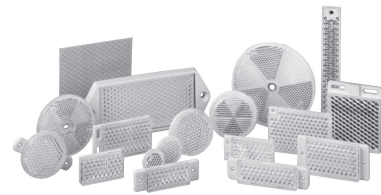
1 = Red/Black
2 = Red/White
3 = Red
4 = Green

Retroreflective Targets

Banner offers a wide selection of high-quality retroreflective targets. See www.bannerengineering.com for complete information.



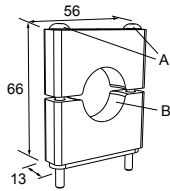
NOTE: Polarized sensors require corner cube type retroreflective targets. Non-polarized sensors may use any retroreflective target.



Brackets

SMB30C

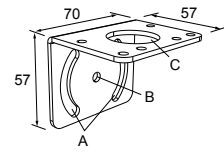
- 30 mm split clamp, black PBT bracket
- Stainless steel mounting hardware included
- Mounting hole for 30 mm sensor



Hole center spacing: A=ø 45
Hole size: B=ø 27.2

SMB30MM

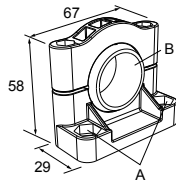
- 12-ga. stainless steel bracket with curved mounting slots for versatile orientation
- Clearance for M6 (¼ in) hardware
- Mounting hole for 30 mm sensor



Hole center spacing: A = 51, A to B = 25.4
Hole size: A = 42.6 x 7, B = ø 6.4, C = ø 30.1

SMB30SC

- Swivel bracket with 30 mm mounting hole for sensor
- Black reinforced thermoplastic polyester
- Stainless steel mounting and swivel locking hardware included



Hole center spacing: A=ø 50.8
Hole size: A=ø 7.0, B=ø 30.0

Output Timing Logic and Signal Strength Display Modules

Q45 sensors easily accept the addition of output timing logic and signal strength display functions. Display modules have a seven-element display that gives a more precise indication of excess gain than does the AID™ system LED that is standard on Q45 sensors. The modules listed below may be used with all Q45VR2 sensors. Refer to the module's datasheet for more information.

| Models | Logic and/or Display Function |
|---------|---|
| 45LM58 | Programmable output timing logic |
| 45LM58D | Programmable output timing logic plus signal strength display |
| 45LMD | Signal strength display only (no timing function) |

Banner Engineering Corp. Limited Warranty

Banner Engineering Corp. warrants its products to be free from defects in material and workmanship for one year following the date of shipment. Banner Engineering Corp. will repair or replace, free of charge, any product of its manufacture which, at the time it is returned to the factory, is found to have been defective during the warranty period. This warranty does not cover damage or liability for misuse, abuse, or the improper application or installation of the Banner product.

THIS LIMITED WARRANTY IS EXCLUSIVE AND IN LIEU OF ALL OTHER WARRANTIES WHETHER EXPRESS OR IMPLIED (INCLUDING, WITHOUT LIMITATION, ANY WARRANTY OF MERCHANTABILITY OR FITNESS FOR A PARTICULAR PURPOSE), AND WHETHER ARISING UNDER COURSE OF PERFORMANCE, COURSE OF DEALING OR TRADE USAGE.

This Warranty is exclusive and limited to repair or, at the discretion of Banner Engineering Corp., replacement. IN NO EVENT SHALL BANNER ENGINEERING CORP. BE LIABLE TO BUYER OR ANY OTHER PERSON OR ENTITY FOR ANY EXTRA COSTS, EXPENSES, LOSSES, LOSS OF PROFITS, OR ANY INCIDENTAL, CONSEQUENTIAL OR SPECIAL DAMAGES RESULTING FROM ANY PRODUCT DEFECT OR FROM THE USE OR INABILITY TO USE THE PRODUCT, WHETHER ARISING IN CONTRACT OR WARRANTY, STATUTE, TORT, STRICT LIABILITY, NEGLIGENCE, OR OTHERWISE.

Banner Engineering Corp. reserves the right to change, modify or improve the design of the product without assuming any obligations or liabilities relating to any product previously manufactured by Banner Engineering Corp. Any misuse, abuse, or improper application or installation of this product or use of the product for personal protection applications when the product is identified as not intended for such purposes will void the product warranty. Any modifications to this product without prior express approval by Banner Engineering Corp will void the product warranties. All specifications published in this document are subject to change; Banner reserves the right to modify product specifications or update documentation at any time. Specifications and product information in English supersede that which is provided in any other language. For the most recent version of any documentation, refer to: www.bannerengineering.com.