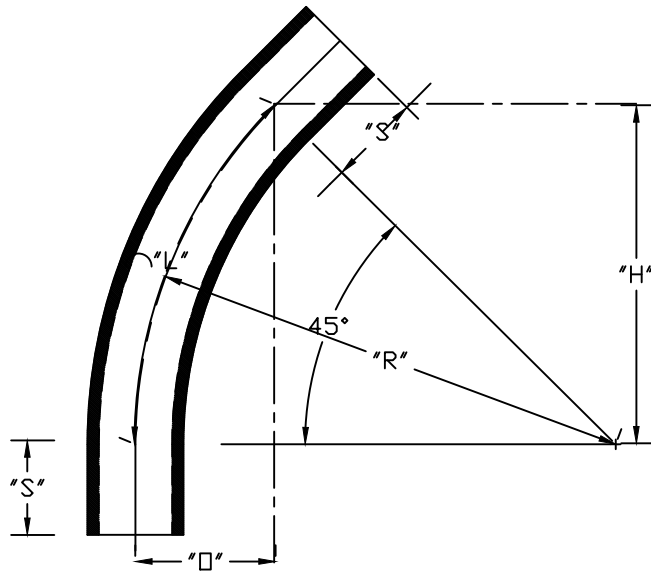


PART NUMBER	SIZE	"R"	"□"	"H"	"S" MIN	"L"
5133763	½"	4"	1 ⅜"	2 ⅞"	1 ½"	3 ⅛"
5133764	¾"	4 ½"	1 ⅝"	3 ⅜"	1 ½"	3 ½"
5133765	1"	5 ¾"	1 ⅞"	4"	1 ⅞"	4 ½"
5133766	1 ¼"	7 ¼"	2 ⅛"	5 ⅛"	2"	5 ⅞"
5133767	1 ½"	8 ¼"	2 ⅜"	5 ⅞"	2"	6 ½"
5133768	2"	9 ½"	2 ⅜"	6 ¾"	2"	7 ½"
5133769	2 ½"	10 ½"	2 ⅞"	7 ⅜"	3"	8 ¼"
5133770	3"	13"	3 ⅜"	9 ⅜"	3 ⅛"	10 ¼"
5133771	3 ½"	15"	4 ⅜"	10 ⅝"	3 ¼"	11 ⅞"
5133772	4"	16"	4 ⅞"	11 ⅞"	3 ⅜"	12 ⅝"
5133773	5"	24"	7"	17"	3 ⅝"	18 ⅞"
5133774	6"	30"	8 ⅜"	21 ¼"	3 ¾"	23 ⅞"
5133989D	8"	48"	14"	34"	6 ⅝"	37 ⅞"



ETL LISTED
 CONFORMS TO UL651
 ETL CONTROL #3107144
 CONFORMS TO NEMA TC3
 SEE NEC ARTICLE 352 FOR USE
 MATERIAL IS RIGID PVC
 BEND TOLERANCE IS ±2°



CANTEX

INC.
 Fort Worth, TEXAS

45° Elbows Plain End
 Schedule 40 Standard Radius Elbows

Drawn By: CD Branch

Date: 4/30/26

Ref.