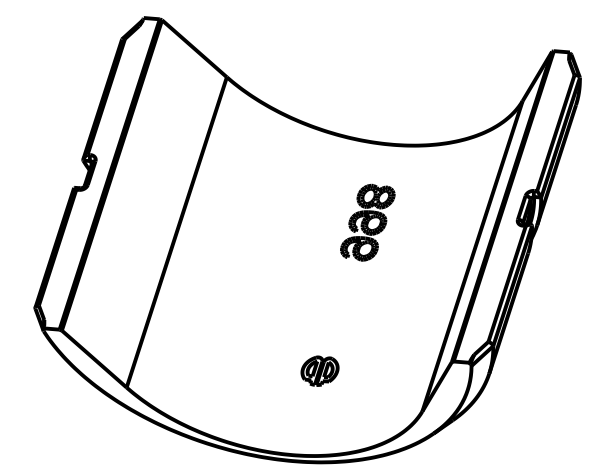
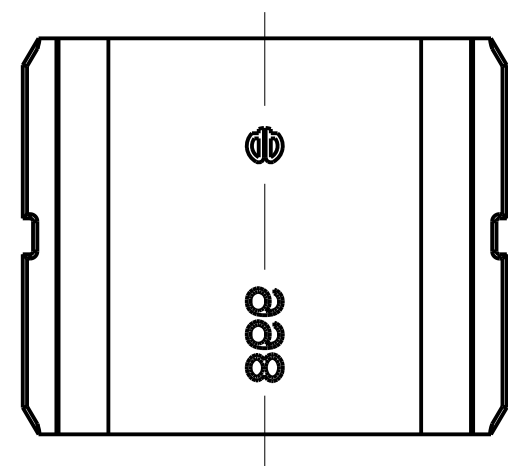
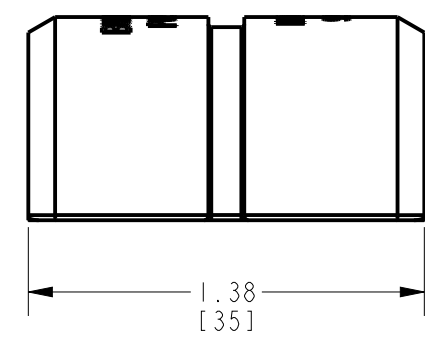
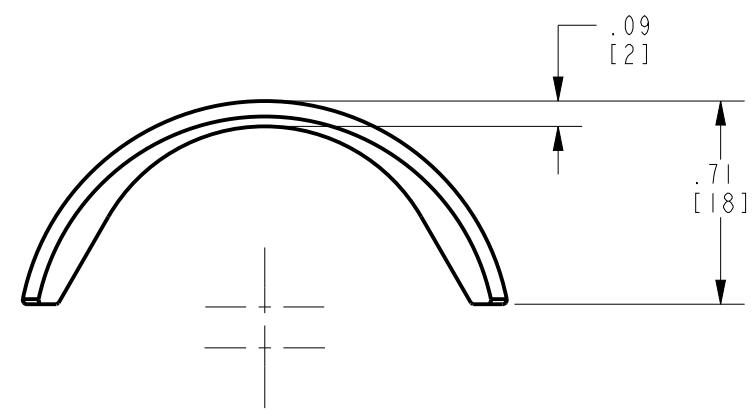
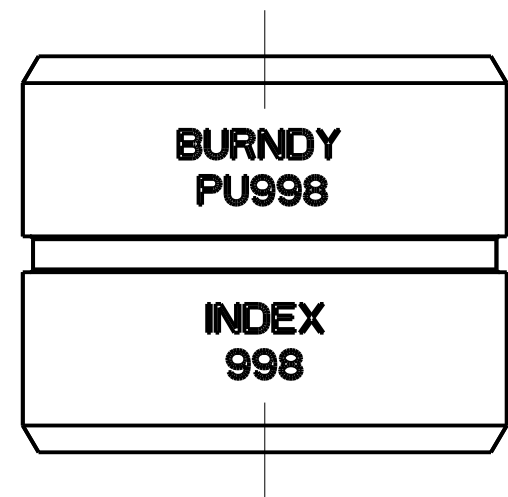


REV.	DATE	DESCRIPTION	ECO	BY	C'H'K.
B	05/03/2013 12:29:00 PM	DRAWING UPDATED AS PER MARKUP	29078	GP	MB



NOTES:

1. MATERIAL: STAINLESS STEEL.
2. DIMENSIONS IN BRACKETS [] ARE IN MILLIMETERS, ROUNDED OFF TO THE NEAREST MILLIMETER AND ARE FOR REFERENCE ONLY.
3. DIE SET PU998 INCLUDES TWO (2) IDENTICAL DIE HALVES, AS SHOWN.
4. DIE INSPECTION GAGE CATALOG NUMBER: CONSULT FACTORY.
5. GAGE CAT. NO. PPGU998.

TO ORDER BURNDY® PRODUCTS CALL
 UNITED STATES:
 1-800-346-4175 (LONDONDERRY, NH)
 CANADA:
 1-800-361-6975 (QUEBEC)
 1-800-387-6487 (ALL OTHER PROVINCES)
 FOR PRODUCT INFO: <http://www.burndy.com>

CIRCULAR NON-BUTTING TWIN DIES	
ITEM NO: 434082	
CAT. NO: PU998	
DRAWN BY: M.TAMARA 01/11/12	
CHECKER: P.WASON 01/12/12	
DSN APPVL: P.WASON 01/12/12	
MFG APPVL: --	
QA APPVL: J.BRODEUR 01/13/12	
MKT APPVL: R.POIRIER 01/16/12	
PROD FAM: Tools-Hydraulic/u.die	SCALE: 1:1
PROJECT #: --	DRAWING NO
DOCUMENT TYPE: Sales	REV
REL LEVEL: Released	B

REV: PE0200