



## ROOFTOP PYRAMID ST ADJUSTABLE STRUT SUPPORT, 16" X 7"-18"

### CATALOG NUMBER

**PSA16AH18**



### FEATURES

Height adjustability provides effective navigation of pipe, conduit, duct and cable tray around obstructions

Foam bottom offers low abrasion interface for better roof membrane protection

Compatible with roof surfaces including single ply, bituminous, metal and spray foam

Provides superior load distribution, even with varying rooftop surfaces

Ready to use out of the box, saving installation time and labor

Multiple sizes and load ratings offer the ability to tailor the solution to the application

Hot-dip galvanized and UV stabilized for long lasting performance

### PRODUCT ATTRIBUTES

Material: Polyethylene;Polypropylene;Steel

Finish: Hot-Dip Galvanized

Temperature: -50 to 150 °F

Static Load Safety Factor: 3:1

Length 1 (L1): 16"

Length 2 (L2): 19"

Height (H): 7" - 18"

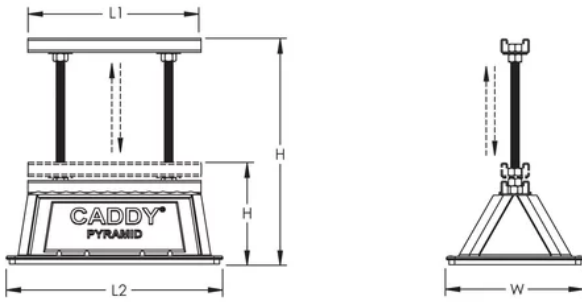
Width (W): 8"

Surface Area: 142in<sup>2</sup>

Unit Weight: 6 lb

Static Load (F): 1500lb

## DIAGRAMS



## WARNING

nVent products shall be installed and used only as indicated in nVent's product instruction sheets and training materials. Instruction sheets are available at [www.nvent.com](http://www.nvent.com) and from your nVent customer service representative. Improper installation, misuse, misapplication or other failure to completely follow nVent's instructions and warnings may cause product malfunction, property damage, serious bodily injury and death and/or void your warranty.

### North America

+1.800.753.9221  
Option 1 – Customer Care  
Option 2 – Technical Support

### Europe

Netherlands:  
+31 800-0200135  
France:  
+33 800 901 793

### Europe

Germany:  
800 1890272  
Other Countries:  
+31 13 5835404

### APAC

Shanghai:  
+ 86 21 2412 1618/19  
Sydney:  
+61 2 9751 8500



Our powerful portfolio of brands:  
**nVent.com CADDY ERICO HOFFMAN RAYCHEM SCHROFF**  
**TRACER**

© 2025 nVent. All nVent marks and logos are owned or licensed by nVent Services GmbH or its affiliates. All other trademarks are the property of their respective owners.

nVent reserves the right to change specifications without notice.



## ROOFTOP PYRAMID ST ADJUSTABLE STRUT SUPPORT, 16" X 7"-18"

### CATALOG NUMBER

**PSA16AH18**



### FEATURES

Height adjustability provides effective navigation of pipe, conduit, duct and cable tray around obstructions

Foam bottom offers low abrasion interface for better roof membrane protection

Compatible with roof surfaces including single ply, bituminous, metal and spray foam

Provides superior load distribution, even with varying rooftop surfaces

Ready to use out of the box, saving installation time and labor

Multiple sizes and load ratings offer the ability to tailor the solution to the application

Hot-dip galvanized and UV stabilized for long lasting performance

### PRODUCT ATTRIBUTES

Material: Polyethylene;Polypropylene;Steel

Finish: Hot-Dip Galvanized

Temperature: -50 to 150 °F

Static Load Safety Factor: 3:1

Length 1 (L1): 16"

Length 2 (L2): 19"

Height (H): 7" - 18"

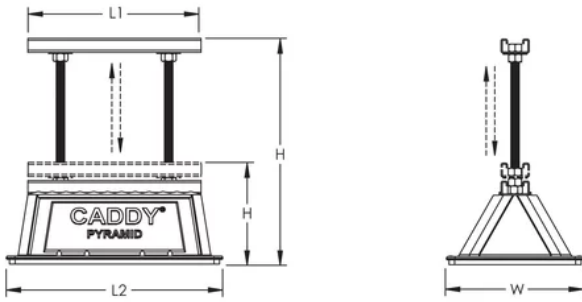
Width (W): 8"

Surface Area: 142in<sup>2</sup>

Unit Weight: 6 lb

Static Load (F): 1500lb

## DIAGRAMS



## WARNING

nVent products shall be installed and used only as indicated in nVent's product instruction sheets and training materials. Instruction sheets are available at [www.nvent.com](http://www.nvent.com) and from your nVent customer service representative. Improper installation, misuse, misapplication or other failure to completely follow nVent's instructions and warnings may cause product malfunction, property damage, serious bodily injury and death and/or void your warranty.

### North America

+1.800.753.9221  
Option 1 – Customer Care  
Option 2 – Technical Support

### Europe

Netherlands:  
+31 800-0200135  
France:  
+33 800 901 793

### Europe

Germany:  
800 1890272  
Other Countries:  
+31 13 5835404

### APAC

Shanghai:  
+ 86 21 2412 1618/19  
Sydney:  
+61 2 9751 8500



Our powerful portfolio of brands:  
**nVent.com CADDY ERICO HOFFMAN RAYCHEM SCHROFF**  
**TRACER**

© 2025 nVent. All nVent marks and logos are owned or licensed by nVent Services GmbH or its affiliates. All other trademarks are the property of their respective owners.

nVent reserves the right to change specifications without notice.