



Knockout Hubs

Description:

Plasti-Bond REDH₂OT ST style knockout hubs are used to terminate conduit runs through the wall of a sheet metal electrical enclosure. They are available with or without grounding lug. STTB style hubs are "Through-Bulkhead" fittings used to pass conduit runs through firewalls or bulkheads up to 1/8" thick. STTTB style hubs perform the same function for unlimited wall thicknesses, (furnished without nipples).

Features:

- 40 mil gray PVC exterior coating
- ST available in 12 trade sizes from 1/2" through 6"
- STTB available in 10 trade sizes from 1/2" through 4"
- STTTB available in 6 trade sizes from 1/2" through 2"
- Sealing sleeves on conduit side of hub
- Molded PVC gasket seals flush with enclosure wall
- O-ring gasket provides additional seal

Standards:

Steel Only: ST, STG

- UL 514B (E200413)
- NEC/CEC:
 - Class I, Division 2
 - Class II, Division 1 & 2
 - Class III, Division 1 & 2

NOTE:

- All Screw-tight Hubs are listed for NEMA and UL type enclosures 2, 3, 3R, 4, 4x, 11 and 12
- Grounding and Bonding Hubs are listed for NEMA Enclosures 2, 3, 3R, 4 and 12

Knockout Hubs

Knockout Hubs Technical Data

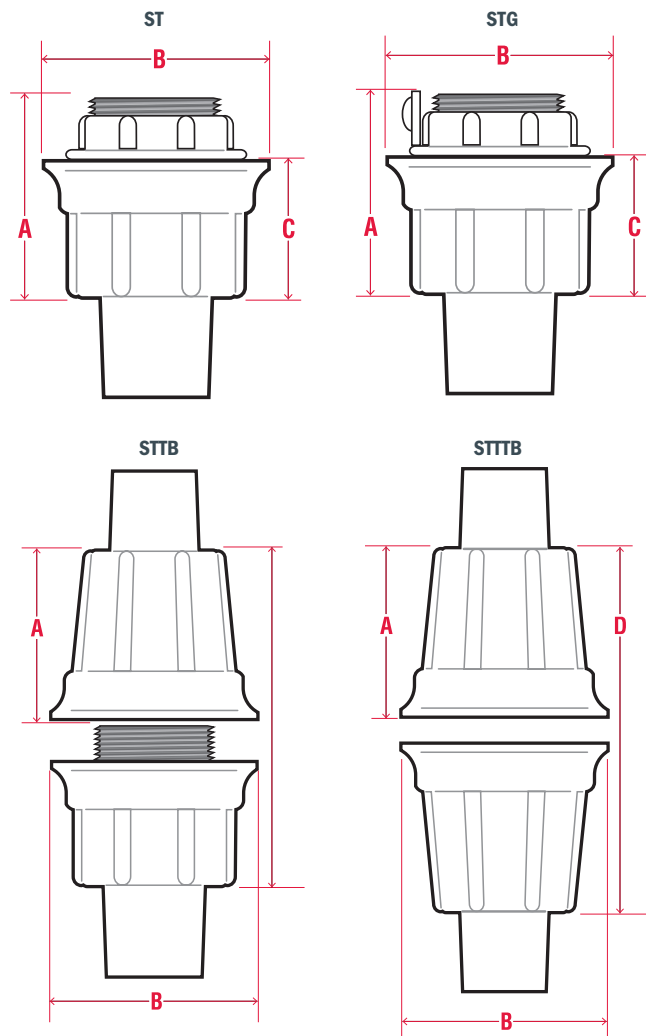
ST

| PIPE SIZE | CATALOG # | NOMINAL WEIGHT | A | B | C | MAX WALL THICK | ALUMINUM CATALOG # |
|-----------|-----------|----------------|------|------|------|----------------|--------------------|
| 1/2" | PRST1 | 0.2 | 1.34 | 2.00 | 0.81 | 0.19 | PRSTA1 |
| 3/4" | PRST2 | 0.3 | 1.47 | 2.25 | 0.91 | 0.19 | PRSTA2 |
| 1" | PRST3 | 0.4 | 1.66 | 2.50 | 1.03 | 0.25 | PRSTA3 |
| 1-1/4" | PRST4 | 0.4 | 1.69 | 3.25 | 1.03 | 0.25 | PRSTA4 |
| 1-1/2" | PRST5 | 0.6 | 1.69 | 3.50 | 1.03 | 0.25 | PRSTA5 |
| 2" | PRST6 | 1.2 | 1.75 | 4.25 | 1.09 | 0.25 | PRSTA6 |
| 2-1/2" | PRST7 | 1.5 | 2.22 | 4.75 | 1.28 | 0.25 | PRSTA7 |
| 3" | PRST8 | 2.1 | 2.31 | 5.25 | 1.38 | 0.25 | PRSTA8 |
| 3-1/2" | PRST9 | 3.0 | 2.38 | 5.50 | 1.44 | 0.25 | PRSTA9 |
| 4" | PRST10 | 3.5 | 2.44 | 6.25 | 1.50 | 0.25 | PRSTA10 |
| 5" | PRST11 | 5.4 | 2.94 | 7.50 | 2.00 | 0.25 | PRSTA11 |
| 6" | PRST12 | 6.9 | 3.00 | 8.50 | 2.00 | 0.31 | PRSTA12 |

STG

| PIPE SIZE | CATALOG # | NOMINAL WEIGHT | A | B | C | MAX WALL THICK | ALUMINUM CATALOG # |
|-----------|-----------|----------------|------|------|------|----------------|--------------------|
| 1/2" | PRSTG1 | 0.2 | 1.34 | 2.00 | 0.81 | 0.19 | PRSTAG1 |
| 3/4" | PRSTG2 | 0.3 | 1.47 | 2.25 | 0.91 | 0.19 | PRSTAG2 |
| 1" | PRSTG3 | 0.4 | 1.66 | 2.50 | 1.03 | 0.25 | PRSTAG3 |
| 1-1/4" | PRSTG4 | 0.4 | 1.69 | 3.25 | 1.03 | 0.25 | PRSTAG4 |
| 1-1/2" | PRSTG5 | 0.6 | 1.69 | 3.50 | 1.03 | 0.25 | PRSTAG5 |
| 2" | PRSTG6 | 1.2 | 1.75 | 4.25 | 1.09 | 0.25 | PRSTAG6 |
| 2-1/2" | PRSTG7 | 1.5 | 2.22 | 4.75 | 1.28 | 0.25 | PRSTAG7 |
| 3" | PRSTG8 | 2.1 | 2.31 | 5.25 | 1.38 | 0.25 | PRSTAG8 |
| 3-1/2" | PRSTG9 | 3.0 | 2.38 | 5.50 | 1.44 | 0.25 | PRSTAG9 |
| 4" | PRSTG10 | 3.5 | 2.44 | 6.25 | 1.50 | 0.25 | PRSTAG10 |
| 5" | PRSTG11 | 5.4 | 2.94 | 7.50 | 2.00 | 0.25 | PRSTAG11 |
| 6" | PRSTG12 | 6.9 | 3.00 | 8.50 | 2.00 | 0.31 | PRSTAG12 |

KNOCKOUT HUB CONFIGURATIONS



STTB

| PIPE SIZE | CATALOG # | NOMINAL WEIGHT | A | B | MAX WALL THICK | ALUMINUM CATALOG # |
|-----------|-----------|----------------|------|------|----------------|--------------------|
| 1/2" | PRSTTB1 | 0.5 | 1.34 | 2.00 | 0.19 | PRSTTB1 |
| 3/4" | PRSTTB2 | 0.5 | 1.47 | 2.25 | 0.19 | PRSTTB2 |
| 1" | PRSTTB3 | 0.7 | 1.66 | 2.50 | 0.25 | PRSTTB3 |
| 1-1/4" | PRSTTB4 | 1.0 | 1.69 | 3.25 | 0.25 | PRSTTB4 |
| 1-1/2" | PRSTTB5 | 1.2 | 1.69 | 3.50 | 0.25 | PRSTTB5 |
| 2" | PRSTTB6 | 1.7 | 1.75 | 4.25 | 0.25 | PRSTTB6 |
| 2-1/2" | PRSTTB7 | 2.5 | 2.22 | 4.75 | 0.25 | PRSTTB7 |
| 3" | PRSTTB8 | 3.0 | 2.31 | 5.25 | 0.25 | PRSTTB8 |
| 3-1/2" | PRSTTB9 | 4.2 | 2.38 | 5.50 | 0.25 | - |
| 4" | PRSTTB10 | 5.9 | 2.44 | 6.25 | 0.25 | - |

STTTB

| PIPE SIZE | CATALOG # | NOMINAL WEIGHT | A | B | MAX WALL THICK | ALUMINUM CATALOG # |
|-----------|-----------|----------------|------|------|----------------|--------------------|
| 1/2" | PRSTTTB1 | 1.0 | 1.34 | 2.00 | * | PRSTTTB1 |
| 3/4" | PRSTTTB2 | 1.0 | 1.47 | 2.25 | * | PRSTTTB2 |
| 1" | PRSTTTB3 | 1.4 | 1.66 | 2.50 | * | PRSTTTB3 |
| 1-1/4" | PRSTTTB4 | 2.0 | 1.69 | 3.25 | * | PRSTTTB4 |
| 1-1/2" | PRSTTTB5 | 2.4 | 1.69 | 3.50 | * | PRSTTTB5 |
| 2" | PRSTTTB6 | 3.4 | 1.75 | 4.25 | * | PRSTTTB6 |

* Unlimited wall thickness - determined by nipple used.



Knockout Hubs

Description:

Plasti-Bond REDH₂OT ST style knockout hubs are used to terminate conduit runs through the wall of a sheet metal electrical enclosure. They are available with or without grounding lug. STTB style hubs are "Through-Bulkhead" fittings used to pass conduit runs through firewalls or bulkheads up to 1/8" thick. STTTB style hubs perform the same function for unlimited wall thicknesses, (furnished without nipples).

Features:

- 40 mil gray PVC exterior coating
- ST available in 12 trade sizes from 1/2" through 6"
- STTB available in 10 trade sizes from 1/2" through 4"
- STTTB available in 6 trade sizes from 1/2" through 2"
- Sealing sleeves on conduit side of hub
- Molded PVC gasket seals flush with enclosure wall
- O-ring gasket provides additional seal

Standards:

Steel Only: ST, STG

- UL 514B (E200413)
- NEC/CEC:
 - Class I, Division 2
 - Class II, Division 1 & 2
 - Class III, Division 1 & 2

NOTE:

- All Screw-tight Hubs are listed for NEMA and UL type enclosures 2, 3, 3R, 4, 4x, 11 and 12
- Grounding and Bonding Hubs are listed for NEMA Enclosures 2, 3, 3R, 4 and 12

Knockout Hubs

Knockout Hubs Technical Data

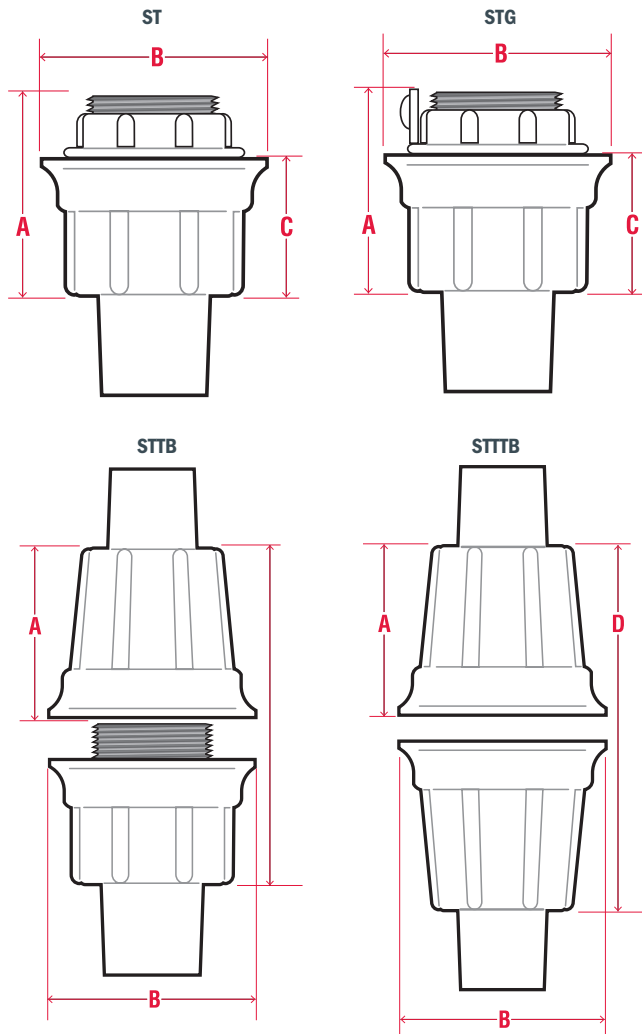
ST

| PIPE SIZE | CATALOG # | NOMINAL WEIGHT | A | B | C | MAX WALL THICK | ALUMINUM CATALOG # |
|-----------|-----------|----------------|------|------|------|----------------|--------------------|
| 1/2" | PRST1 | 0.2 | 1.34 | 2.00 | 0.81 | 0.19 | PRSTA1 |
| 3/4" | PRST2 | 0.3 | 1.47 | 2.25 | 0.91 | 0.19 | PRSTA2 |
| 1" | PRST3 | 0.4 | 1.66 | 2.50 | 1.03 | 0.25 | PRSTA3 |
| 1-1/4" | PRST4 | 0.4 | 1.69 | 3.25 | 1.03 | 0.25 | PRSTA4 |
| 1-1/2" | PRST5 | 0.6 | 1.69 | 3.50 | 1.03 | 0.25 | PRSTA5 |
| 2" | PRST6 | 1.2 | 1.75 | 4.25 | 1.09 | 0.25 | PRSTA6 |
| 2-1/2" | PRST7 | 1.5 | 2.22 | 4.75 | 1.28 | 0.25 | PRSTA7 |
| 3" | PRST8 | 2.1 | 2.31 | 5.25 | 1.38 | 0.25 | PRSTA8 |
| 3-1/2" | PRST9 | 3.0 | 2.38 | 5.50 | 1.44 | 0.25 | PRSTA9 |
| 4" | PRST10 | 3.5 | 2.44 | 6.25 | 1.50 | 0.25 | PRSTA10 |
| 5" | PRST11 | 5.4 | 2.94 | 7.50 | 2.00 | 0.25 | PRSTA11 |
| 6" | PRST12 | 6.9 | 3.00 | 8.50 | 2.00 | 0.31 | PRSTA12 |

STG

| PIPE SIZE | CATALOG # | NOMINAL WEIGHT | A | B | C | MAX WALL THICK | ALUMINUM CATALOG # |
|-----------|-----------|----------------|------|------|------|----------------|--------------------|
| 1/2" | PRSTG1 | 0.2 | 1.34 | 2.00 | 0.81 | 0.19 | PRSTAG1 |
| 3/4" | PRSTG2 | 0.3 | 1.47 | 2.25 | 0.91 | 0.19 | PRSTAG2 |
| 1" | PRSTG3 | 0.4 | 1.66 | 2.50 | 1.03 | 0.25 | PRSTAG3 |
| 1-1/4" | PRSTG4 | 0.4 | 1.69 | 3.25 | 1.03 | 0.25 | PRSTAG4 |
| 1-1/2" | PRSTG5 | 0.6 | 1.69 | 3.50 | 1.03 | 0.25 | PRSTAG5 |
| 2" | PRSTG6 | 1.2 | 1.75 | 4.25 | 1.09 | 0.25 | PRSTAG6 |
| 2-1/2" | PRSTG7 | 1.5 | 2.22 | 4.75 | 1.28 | 0.25 | PRSTAG7 |
| 3" | PRSTG8 | 2.1 | 2.31 | 5.25 | 1.38 | 0.25 | PRSTAG8 |
| 3-1/2" | PRSTG9 | 3.0 | 2.38 | 5.50 | 1.44 | 0.25 | PRSTAG9 |
| 4" | PRSTG10 | 3.5 | 2.44 | 6.25 | 1.50 | 0.25 | PRSTAG10 |
| 5" | PRSTG11 | 5.4 | 2.94 | 7.50 | 2.00 | 0.25 | PRSTAG11 |
| 6" | PRSTG12 | 6.9 | 3.00 | 8.50 | 2.00 | 0.31 | PRSTAG12 |

KNOCKOUT HUB CONFIGURATIONS



STTB

| PIPE SIZE | CATALOG # | NOMINAL WEIGHT | A | B | MAX WALL THICK | ALUMINUM CATALOG # |
|-----------|-----------|----------------|------|------|----------------|--------------------|
| 1/2" | PRSTTB1 | 0.5 | 1.34 | 2.00 | 0.19 | PRSTTB1 |
| 3/4" | PRSTTB2 | 0.5 | 1.47 | 2.25 | 0.19 | PRSTTB2 |
| 1" | PRSTTB3 | 0.7 | 1.66 | 2.50 | 0.25 | PRSTTB3 |
| 1-1/4" | PRSTTB4 | 1.0 | 1.69 | 3.25 | 0.25 | PRSTTB4 |
| 1-1/2" | PRSTTB5 | 1.2 | 1.69 | 3.50 | 0.25 | PRSTTB5 |
| 2" | PRSTTB6 | 1.7 | 1.75 | 4.25 | 0.25 | PRSTTB6 |
| 2-1/2" | PRSTTB7 | 2.5 | 2.22 | 4.75 | 0.25 | PRSTTB7 |
| 3" | PRSTTB8 | 3.0 | 2.31 | 5.25 | 0.25 | PRSTTB8 |
| 3-1/2" | PRSTTB9 | 4.2 | 2.38 | 5.50 | 0.25 | - |
| 4" | PRSTTB10 | 5.9 | 2.44 | 6.25 | 0.25 | - |

STTTB

| PIPE SIZE | CATALOG # | NOMINAL WEIGHT | A | B | MAX WALL THICK | ALUMINUM CATALOG # |
|-----------|-----------|----------------|------|------|----------------|--------------------|
| 1/2" | PRSTTTB1 | 1.0 | 1.34 | 2.00 | * | PRSTTTB1 |
| 3/4" | PRSTTTB2 | 1.0 | 1.47 | 2.25 | * | PRSTTTB2 |
| 1" | PRSTTTB3 | 1.4 | 1.66 | 2.50 | * | PRSTTTB3 |
| 1-1/4" | PRSTTTB4 | 2.0 | 1.69 | 3.25 | * | PRSTTTB4 |
| 1-1/2" | PRSTTTB5 | 2.4 | 1.69 | 3.50 | * | PRSTTTB5 |
| 2" | PRSTTTB6 | 3.4 | 1.75 | 4.25 | * | PRSTTTB6 |

* Unlimited wall thickness - determined by nipple used.