



## Knockout Hubs

### Description:

Plasti-Bond REDH<sub>2</sub>OT ST style knockout hubs are used to terminate conduit runs through the wall of a sheet metal electrical enclosure. They are available with or without grounding lug. STTB style hubs are “Through-Bulkhead” fittings used to pass conduit runs through firewalls or bulkheads up to 1/8” thick. STTTB style hubs perform the same function for unlimited wall thicknesses, (furnished without nipples).

### Features:

- 40 mil gray PVC exterior coating
- ST available in 12 trade sizes from 1/2” through 6”
- STTB available in 10 trade sizes from 1/2” through 4”
- STTTB available in 6 trade sizes from 1/2” through 2”
- Sealing sleeves on conduit side of hub
- Molded PVC gasket seals flush with enclosure wall
- O-ring gasket provides additional seal

### Standards:

#### Steel Only: ST, STG

- UL 514B (E200413)
- NEC/CEC:
  - Class I, Division 2
  - Class II, Division 1 & 2
  - Class III, Division 1 & 2

#### NOTE:

- All Screw-tight Hubs are listed for NEMA and UL type enclosures 2, 3, 3R, 4, 4x, 11 and 12
- Grounding and Bonding Hubs are listed for NEMA Enclosures 2, 3, 3R, 4 and 12

# Knockout Hubs

## Knockout Hubs Technical Data

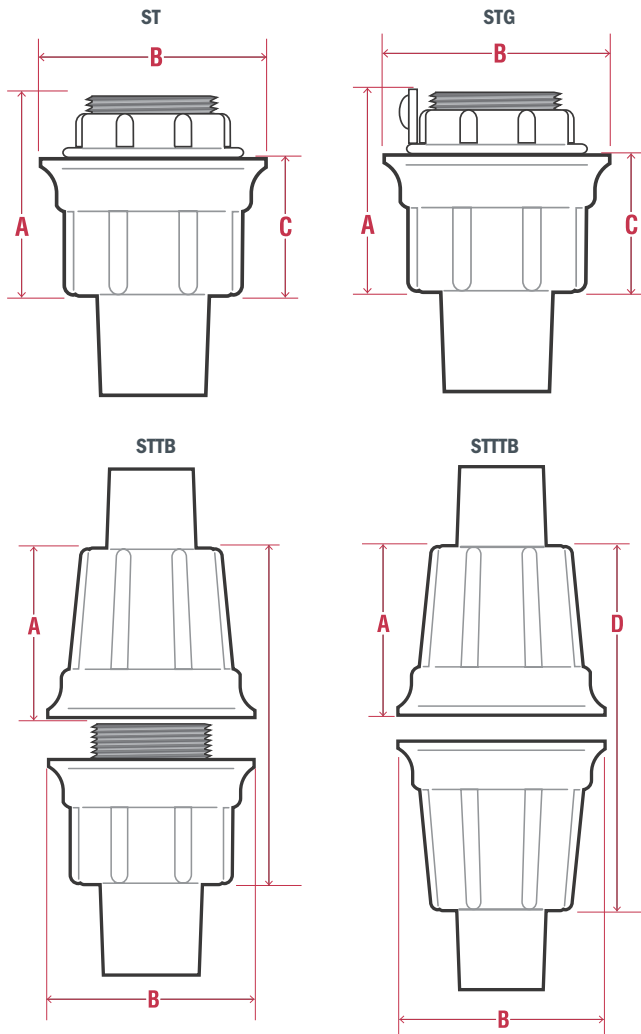
### ST

| PIPE SIZE | CATALOG # | NOMINAL WEIGHT | A    | B    | C    | MAX WALL THICK | ALUMINUM CATALOG # |
|-----------|-----------|----------------|------|------|------|----------------|--------------------|
| 1/2"      | PRST1     | 0.2            | 1.34 | 2.00 | 0.81 | 0.19           | PRSTA1             |
| 3/4"      | PRST2     | 0.3            | 1.47 | 2.25 | 0.91 | 0.19           | PRSTA2             |
| 1"        | PRST3     | 0.4            | 1.66 | 2.50 | 1.03 | 0.25           | PRSTA3             |
| 1-1/4"    | PRST4     | 0.4            | 1.69 | 3.25 | 1.03 | 0.25           | PRSTA4             |
| 1-1/2"    | PRST5     | 0.6            | 1.69 | 3.50 | 1.03 | 0.25           | PRSTA5             |
| 2"        | PRST6     | 1.2            | 1.75 | 4.25 | 1.09 | 0.25           | PRSTA6             |
| 2-1/2"    | PRST7     | 1.5            | 2.22 | 4.75 | 1.28 | 0.25           | PRSTA7             |
| 3"        | PRST8     | 2.1            | 2.31 | 5.25 | 1.38 | 0.25           | PRSTA8             |
| 3-1/2"    | PRST9     | 3.0            | 2.38 | 5.50 | 1.44 | 0.25           | PRSTA9             |
| 4"        | PRST10    | 3.5            | 2.44 | 6.25 | 1.50 | 0.25           | PRSTA10            |
| 5"        | PRST11    | 5.4            | 2.94 | 7.50 | 2.00 | 0.25           | PRSTA11            |
| 6"        | PRST12    | 6.9            | 3.00 | 8.50 | 2.00 | 0.31           | PRSTA12            |

### STG

| PIPE SIZE | CATALOG # | NOMINAL WEIGHT | A    | B    | C    | MAX WALL THICK | ALUMINUM CATALOG # |
|-----------|-----------|----------------|------|------|------|----------------|--------------------|
| 1/2"      | PRSTG1    | 0.2            | 1.34 | 2.00 | 0.81 | 0.19           | PRSTAG1            |
| 3/4"      | PRSTG2    | 0.3            | 1.47 | 2.25 | 0.91 | 0.19           | PRSTAG2            |
| 1"        | PRSTG3    | 0.4            | 1.66 | 2.50 | 1.03 | 0.25           | PRSTAG3            |
| 1-1/4"    | PRSTG4    | 0.4            | 1.69 | 3.25 | 1.03 | 0.25           | PRSTAG4            |
| 1-1/2"    | PRSTG5    | 0.6            | 1.69 | 3.50 | 1.03 | 0.25           | PRSTAG5            |
| 2"        | PRSTG6    | 1.2            | 1.75 | 4.25 | 1.09 | 0.25           | PRSTAG6            |
| 2-1/2"    | PRSTG7    | 1.5            | 2.22 | 4.75 | 1.28 | 0.25           | PRSTAG7            |
| 3"        | PRSTG8    | 2.1            | 2.31 | 5.25 | 1.38 | 0.25           | PRSTAG8            |
| 3-1/2"    | PRSTG9    | 3.0            | 2.38 | 5.50 | 1.44 | 0.25           | PRSTAG9            |
| 4"        | PRSTG10   | 3.5            | 2.44 | 6.25 | 1.50 | 0.25           | PRSTAG10           |
| 5"        | PRSTG11   | 5.4            | 2.94 | 7.50 | 2.00 | 0.25           | PRSTAG11           |
| 6"        | PRSTG12   | 6.9            | 3.00 | 8.50 | 2.00 | 0.31           | PRSTAG12           |

### KNOCKOUT HUB CONFIGURATIONS



### STTB

| PIPE SIZE | CATALOG # | NOMINAL WEIGHT | A    | B    | MAX WALL THICK | ALUMINUM CATALOG # |
|-----------|-----------|----------------|------|------|----------------|--------------------|
| 1/2"      | PRSTTB1   | 0.5            | 1.34 | 2.00 | 0.19           | PRSTTB1            |
| 3/4"      | PRSTTB2   | 0.5            | 1.47 | 2.25 | 0.19           | PRSTTB2            |
| 1"        | PRSTTB3   | 0.7            | 1.66 | 2.50 | 0.25           | PRSTTB3            |
| 1-1/4"    | PRSTTB4   | 1.0            | 1.69 | 3.25 | 0.25           | PRSTTB4            |
| 1-1/2"    | PRSTTB5   | 1.2            | 1.69 | 3.50 | 0.25           | PRSTTB5            |
| 2"        | PRSTTB6   | 1.7            | 1.75 | 4.25 | 0.25           | PRSTTB6            |
| 2-1/2"    | PRSTTB7   | 2.5            | 2.22 | 4.75 | 0.25           | PRSTTB7            |
| 3"        | PRSTTB8   | 3.0            | 2.31 | 5.25 | 0.25           | PRSTTB8            |
| 3-1/2"    | PRSTTB9   | 4.2            | 2.38 | 5.50 | 0.25           | PRSTTB9            |
| 4"        | PRSTTB10  | 5.9            | 2.44 | 6.25 | 0.25           | PRSTTB10           |

### STTTB

| PIPE SIZE | CATALOG # | NOMINAL WEIGHT | A    | B    | MAX WALL THICK | ALUMINUM CATALOG # |
|-----------|-----------|----------------|------|------|----------------|--------------------|
| 1/2"      | PRSTTTB1  | 1.0            | 1.34 | 2.00 | *              | PRSTTTB1           |
| 3/4"      | PRSTTTB2  | 1.0            | 1.47 | 2.25 | *              | PRSTTTB2           |
| 1"        | PRSTTTB3  | 1.4            | 1.66 | 2.50 | *              | PRSTTTB3           |
| 1-1/4"    | PRSTTTB4  | 2.0            | 1.69 | 3.25 | *              | PRSTTTB4           |
| 1-1/2"    | PRSTTTB5  | 2.4            | 1.69 | 3.50 | *              | PRSTTTB5           |
| 2"        | PRSTTTB6  | 3.4            | 1.75 | 4.25 | *              | PRSTTTB6           |

\* Unlimited wall thickness - determined by nipple used.



## Knockout Hubs

### Description:

Plasti-Bond REDH<sub>2</sub>OT ST style knockout hubs are used to terminate conduit runs through the wall of a sheet metal electrical enclosure. They are available with or without grounding lug. STTB style hubs are "Through-Bulkhead" fittings used to pass conduit runs through firewalls or bulkheads up to 1/8" thick. STTTB style hubs perform the same function for unlimited wall thicknesses, (furnished without nipples).

### Features:

- 40 mil gray PVC exterior coating
- ST available in 12 trade sizes from 1/2" through 6"
- STTB available in 10 trade sizes from 1/2" through 4"
- STTTB available in 6 trade sizes from 1/2" through 2"
- Sealing sleeves on conduit side of hub
- Molded PVC gasket seals flush with enclosure wall
- O-ring gasket provides additional seal

### Standards:

#### Steel Only: ST, STG

- UL 514B (E200413)
- NEC/CEC:
  - Class I, Division 2
  - Class II, Division 1 & 2
  - Class III, Division 1 & 2

#### NOTE:

- All Screw-tight Hubs are listed for NEMA and UL type enclosures 2, 3, 3R, 4, 4x, 11 and 12
- Grounding and Bonding Hubs are listed for NEMA Enclosures 2, 3, 3R, 4 and 12

# Knockout Hubs

## Knockout Hubs Technical Data

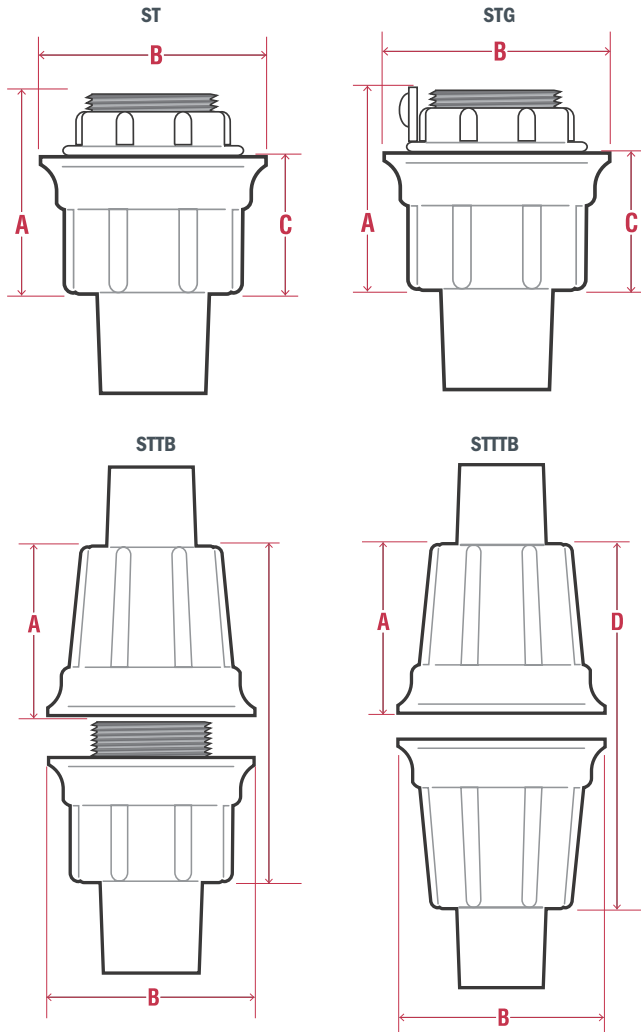
### ST

| PIPE SIZE | CATALOG # | NOMINAL WEIGHT | A    | B    | C    | MAX WALL THICK | ALUMINUM CATALOG # |
|-----------|-----------|----------------|------|------|------|----------------|--------------------|
| 1/2"      | PRST1     | 0.2            | 1.34 | 2.00 | 0.81 | 0.19           | PRSTA1             |
| 3/4"      | PRST2     | 0.3            | 1.47 | 2.25 | 0.91 | 0.19           | PRSTA2             |
| 1"        | PRST3     | 0.4            | 1.66 | 2.50 | 1.03 | 0.25           | PRSTA3             |
| 1-1/4"    | PRST4     | 0.4            | 1.69 | 3.25 | 1.03 | 0.25           | PRSTA4             |
| 1-1/2"    | PRST5     | 0.6            | 1.69 | 3.50 | 1.03 | 0.25           | PRSTA5             |
| 2"        | PRST6     | 1.2            | 1.75 | 4.25 | 1.09 | 0.25           | PRSTA6             |
| 2-1/2"    | PRST7     | 1.5            | 2.22 | 4.75 | 1.28 | 0.25           | PRSTA7             |
| 3"        | PRST8     | 2.1            | 2.31 | 5.25 | 1.38 | 0.25           | PRSTA8             |
| 3-1/2"    | PRST9     | 3.0            | 2.38 | 5.50 | 1.44 | 0.25           | PRSTA9             |
| 4"        | PRST10    | 3.5            | 2.44 | 6.25 | 1.50 | 0.25           | PRSTA10            |
| 5"        | PRST11    | 5.4            | 2.94 | 7.50 | 2.00 | 0.25           | PRSTA11            |
| 6"        | PRST12    | 6.9            | 3.00 | 8.50 | 2.00 | 0.31           | PRSTA12            |

### STG

| PIPE SIZE | CATALOG # | NOMINAL WEIGHT | A    | B    | C    | MAX WALL THICK | ALUMINUM CATALOG # |
|-----------|-----------|----------------|------|------|------|----------------|--------------------|
| 1/2"      | PRSTG1    | 0.2            | 1.34 | 2.00 | 0.81 | 0.19           | PRSTAG1            |
| 3/4"      | PRSTG2    | 0.3            | 1.47 | 2.25 | 0.91 | 0.19           | PRSTAG2            |
| 1"        | PRSTG3    | 0.4            | 1.66 | 2.50 | 1.03 | 0.25           | PRSTAG3            |
| 1-1/4"    | PRSTG4    | 0.4            | 1.69 | 3.25 | 1.03 | 0.25           | PRSTAG4            |
| 1-1/2"    | PRSTG5    | 0.6            | 1.69 | 3.50 | 1.03 | 0.25           | PRSTAG5            |
| 2"        | PRSTG6    | 1.2            | 1.75 | 4.25 | 1.09 | 0.25           | PRSTAG6            |
| 2-1/2"    | PRSTG7    | 1.5            | 2.22 | 4.75 | 1.28 | 0.25           | PRSTAG7            |
| 3"        | PRSTG8    | 2.1            | 2.31 | 5.25 | 1.38 | 0.25           | PRSTAG8            |
| 3-1/2"    | PRSTG9    | 3.0            | 2.38 | 5.50 | 1.44 | 0.25           | PRSTAG9            |
| 4"        | PRSTG10   | 3.5            | 2.44 | 6.25 | 1.50 | 0.25           | PRSTAG10           |
| 5"        | PRSTG11   | 5.4            | 2.94 | 7.50 | 2.00 | 0.25           | PRSTAG11           |
| 6"        | PRSTG12   | 6.9            | 3.00 | 8.50 | 2.00 | 0.31           | PRSTAG12           |

## KNOCKOUT HUB CONFIGURATIONS



### STTB

| PIPE SIZE | CATALOG # | NOMINAL WEIGHT | A    | B    | MAX WALL THICK | ALUMINUM CATALOG # |
|-----------|-----------|----------------|------|------|----------------|--------------------|
| 1/2"      | PRSTTB1   | 0.5            | 1.34 | 2.00 | 0.19           | PRSTTB1            |
| 3/4"      | PRSTTB2   | 0.5            | 1.47 | 2.25 | 0.19           | PRSTTB2            |
| 1"        | PRSTTB3   | 0.7            | 1.66 | 2.50 | 0.25           | PRSTTB3            |
| 1-1/4"    | PRSTTB4   | 1.0            | 1.69 | 3.25 | 0.25           | PRSTTB4            |
| 1-1/2"    | PRSTTB5   | 1.2            | 1.69 | 3.50 | 0.25           | PRSTTB5            |
| 2"        | PRSTTB6   | 1.7            | 1.75 | 4.25 | 0.25           | PRSTTB6            |
| 2-1/2"    | PRSTTB7   | 2.5            | 2.22 | 4.75 | 0.25           | PRSTTB7            |
| 3"        | PRSTTB8   | 3.0            | 2.31 | 5.25 | 0.25           | PRSTTB8            |
| 3-1/2"    | PRSTTB9   | 4.2            | 2.38 | 5.50 | 0.25           | PRSTTB9            |
| 4"        | PRSTTB10  | 5.9            | 2.44 | 6.25 | 0.25           | PRSTTB10           |

### STTTB

| PIPE SIZE | CATALOG # | NOMINAL WEIGHT | A    | B    | MAX WALL THICK | ALUMINUM CATALOG # |
|-----------|-----------|----------------|------|------|----------------|--------------------|
| 1/2"      | PRSTTTB1  | 1.0            | 1.34 | 2.00 | *              | PRSTTTB1           |
| 3/4"      | PRSTTTB2  | 1.0            | 1.47 | 2.25 | *              | PRSTTTB2           |
| 1"        | PRSTTTB3  | 1.4            | 1.66 | 2.50 | *              | PRSTTTB3           |
| 1-1/4"    | PRSTTTB4  | 2.0            | 1.69 | 3.25 | *              | PRSTTTB4           |
| 1-1/2"    | PRSTTTB5  | 2.4            | 1.69 | 3.50 | *              | PRSTTTB5           |
| 2"        | PRSTTTB6  | 3.4            | 1.75 | 4.25 | *              | PRSTTTB6           |

\* Unlimited wall thickness - determined by nipple used.