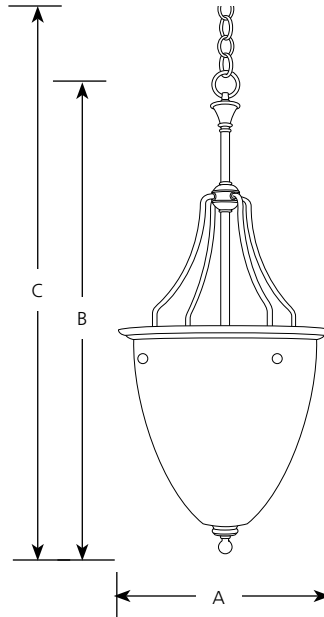


Type \_\_\_\_\_  
 -09 -20  
 P3794

Catalog No.	Finish		Lamping	Dimensions (Inches)		
	Brushed Nickel	Antique Bronze		A	B	C
P3794	-09	-20	3 (m) 75w	15-3/4	36-1/4	111



**Specifications:**

General

- White etched glass
- Brushed Nickel is a plated finish and Antique Bronze is a painted finish
- Steel construction
- Companion fixtures: Chandeliers, mini-pendant, hall & foyer, close to ceiling, and bath & vanity

Electrical

- Pre-wired
- 15 feet of wire included
- Medium based ceramic socket

Labeling

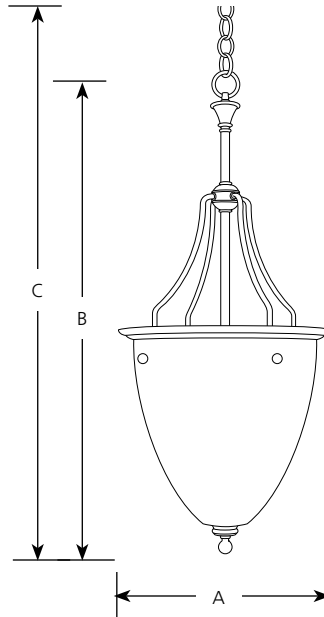
- UL-CUL listed

Mounting

- Chain ceiling mount
- Covers outlet box
- Mounting strap for outlet box included

Type \_\_\_\_\_  
 -09 -20  
 P3794

Catalog No.	Finish		Lamping	Dimensions (Inches)		
	Brushed Nickel	Antique Bronze		A	B	C
P3794	-09	-20	3 (m) 75w	15-3/4	36-1/4	111



**Specifications:**

General

- White etched glass
- Brushed Nickel is a plated finish and Antique Bronze is a painted finish
- Steel construction
- Companion fixtures: Chandeliers, mini-pendant, hall & foyer, close to ceiling, and bath & vanity

Mounting

- Chain ceiling mount
- Covers outlet box
- Mounting strap for outlet box included

Electrical

- Pre-wired
- 15 feet of wire included
- Medium based ceramic socket

Labeling

- UL-CUL listed