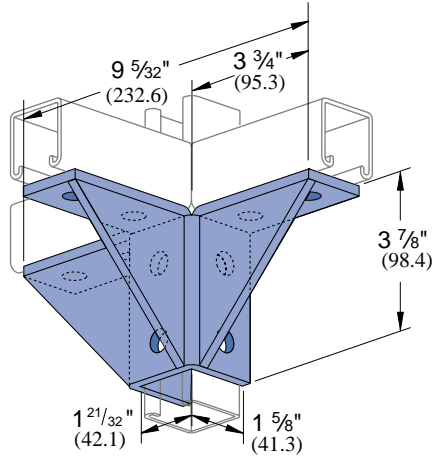




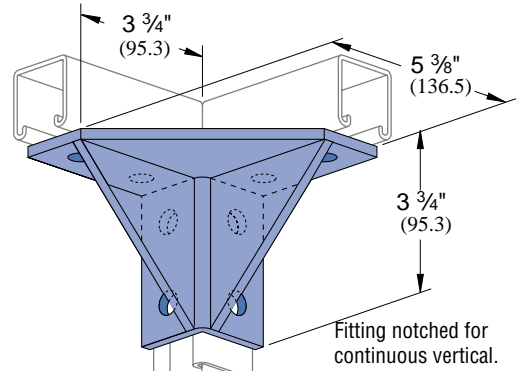
**P2230**

Wt/100 pcs: 310 Lbs (140.6 kg)



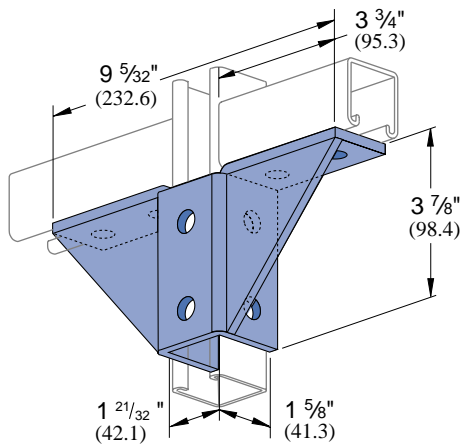
**P2245**

Wt/100 pcs: 315 Lbs (142.9 kg)



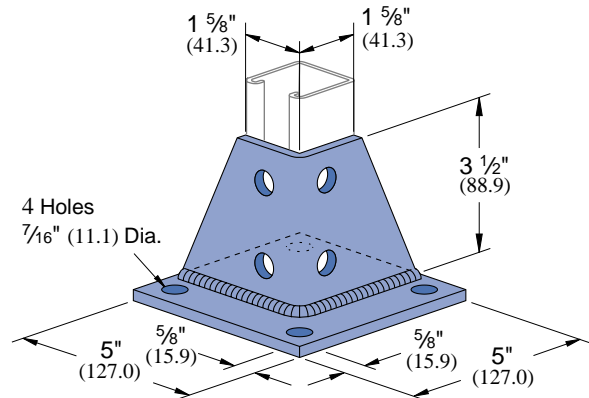
**P2348**

Wt/100 pcs: 274 Lbs (124.3 kg)



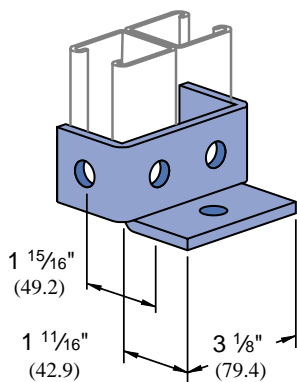
**P1887**

Wt/100 pcs: 297 Lbs (134.8 kg)



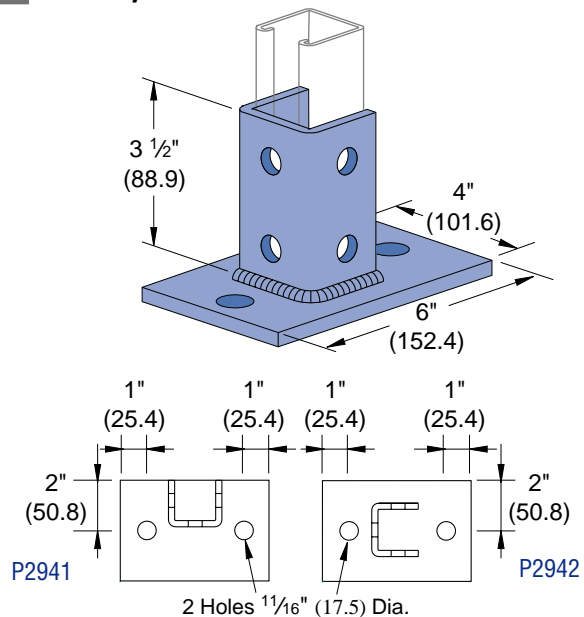
**P2453**

Wt/100 pcs: 116 Lbs (52.6 kg)



**P2941, P2942**

Wt/100 pcs: 358 Lbs (162.4 kg)



**Standard Dimensions for 1 5/8" (41 mm) width series channel fittings** (Unless Otherwise Shown on Drawing)

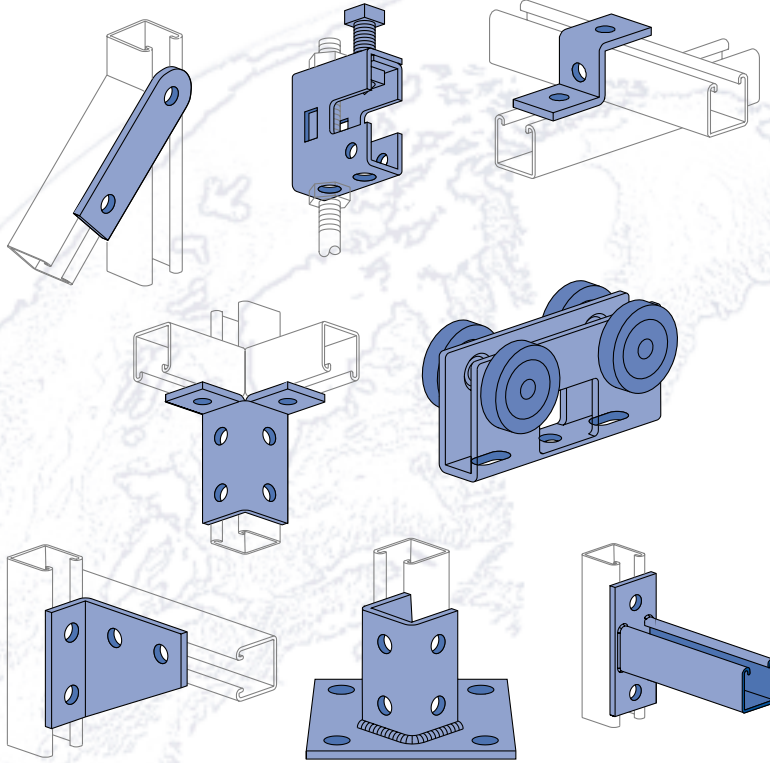
**Hole Diameter:** 9/16" (14.3mm); **Hole Spacing - From End:** 1 3/16" (20.6 mm); **Hole Spacing - On Center:** 1 7/8" (47.6 mm); **Width:** 1 5/8" (41mm); **Thickness:** 1/4" (6.4mm)

1 5/8" Channel  
 Telestrut System  
 Nuts & Hardware  
 General Fittings  
 Pipe/Conduit Supports  
 Electrical Fittings  
 Concrete Inserts  
 1 1/4" Framing System  
 1 3/16" Framing System  
 Fiberglass System  
 Special Metals  
 PrimeAngle System  
 Product Index



**UNISTRUT®**

# GENERAL FITTINGS



Flat Plate Fittings .....	90
Ninety Degree Fittings .....	94
Angular Fittings .....	101
"Z" Shape Fittings .....	102
"U" Shape Fittings .....	104
Wing Shape Fittings .....	109
Post Bases .....	112
Brackets .....	114
Brace Fittings .....	120
Beam Clamps .....	122
Trolleys .....	133
Special Application Fittings .....	135

## MATERIAL

Fittings, unless noted, are made from hot-rolled, pickled and oiled steel plates, strip or coil, and conform to ASTM specifications A575, A576, A635, or A36. The fitting steel also meets the physical requirements of ASTM A1011 SS GR 33. The pickling of the steel produces a smooth surface free from scale.

Many fittings are also available in stainless steel, aluminum and fiberglass. Consult factory for ordering information.

## FINISHES

Fittings are available in: Perma-Green II (GR), electro-galvanized (EG), conforming to ASTM B633 Type III SC1; Hot-dipped galvanized (HG), conforming to ASTM A123 or A153 and plain (PL).

## APPLICATION

All parts drawings illustrate only one application of each fitting. In most cases many other applications are possible. The channels shown in the illustrations are P1000, 1 $\frac{5}{8}$ " square, except where noted otherwise.

All  $\frac{3}{16}$ " diameter holes use  $\frac{1}{2}$ " x  $\frac{15}{16}$ " hex head cap screws and  $\frac{1}{2}$ " nuts - P1010, P4010 or P5510 - depending on the channel used. Nuts and bolts are not included with the fitting and must be ordered separately.

## DESIGN BOLT TORQUE

BOLT SIZE	$\frac{1}{4}$ "	$\frac{5}{16}$ "	$\frac{3}{8}$ "	$\frac{1}{2}$ "	$\frac{5}{8}$ "	$\frac{3}{4}$ "
FOOT LBS.	6	11	19	50	100	125
N·m	8	15	25	70	135	170

## DIMENSIONS

Imperial dimensions are illustrated in inches. Metric dimensions are shown in parenthesis or as noted. Unless noted, all metric dimensions are in millimeters and rounded to one decimal place.

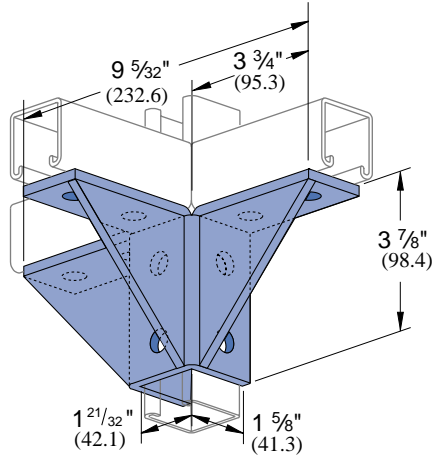
## DESIGN LOAD

Design load data, where shown, is based on the ultimate strength of the connection with a safety factor of 2.5, unless otherwise noted.



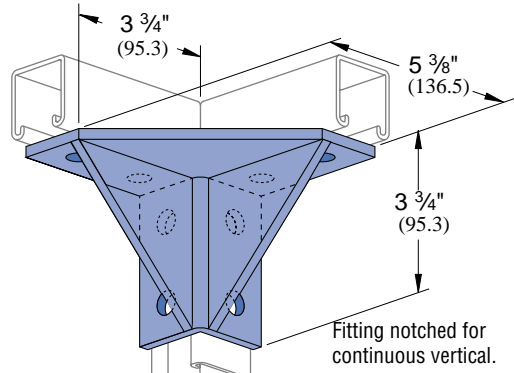
**P2230**

Wt/100 pcs: 310 Lbs (140.6 kg)



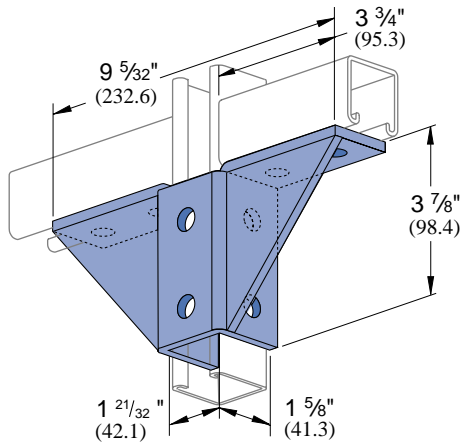
**P2245**

Wt/100 pcs: 315 Lbs (142.9 kg)



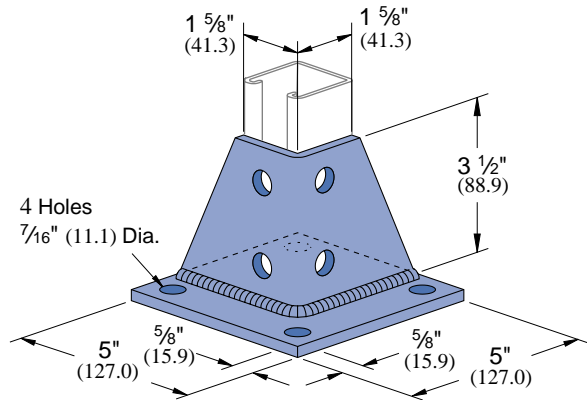
**P2348**

Wt/100 pcs: 274 Lbs (124.3 kg)



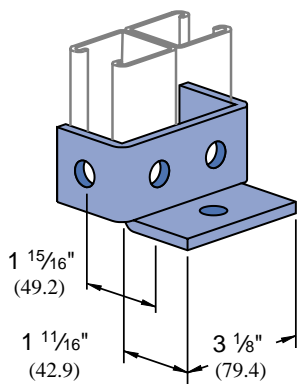
**P1887**

Wt/100 pcs: 297 Lbs (134.8 kg)



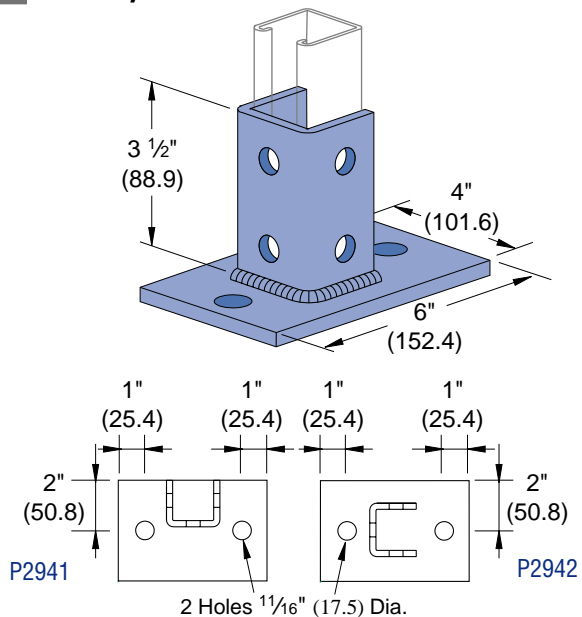
**P2453**

Wt/100 pcs: 116 Lbs (52.6 kg)



**P2941, P2942**

Wt/100 pcs: 358 Lbs (162.4 kg)



**Standard Dimensions for 1 5/8" (41 mm) width series channel fittings (Unless Otherwise Shown on Drawing)**

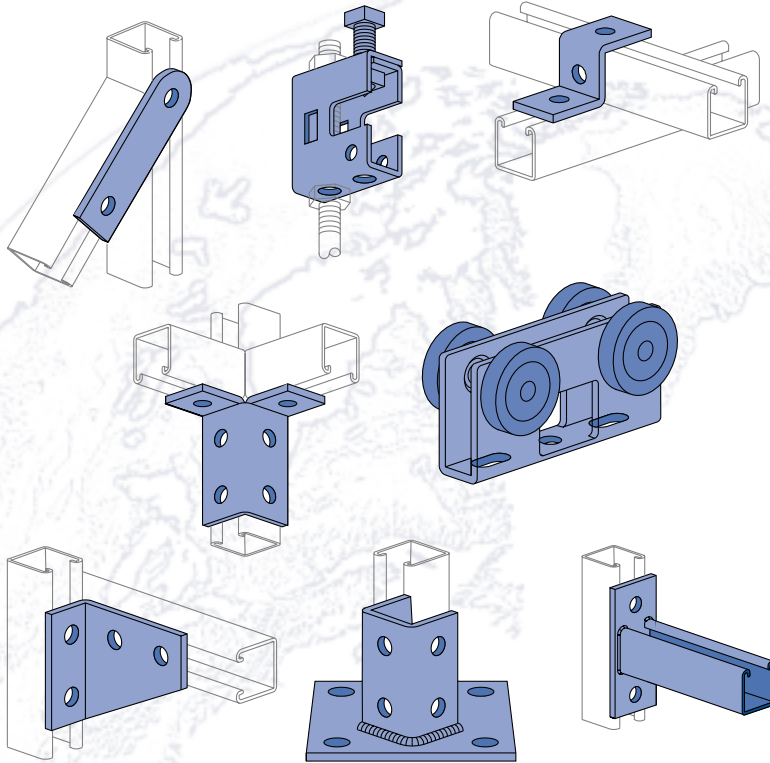
**Hole Diameter:** 9/16" (14.3mm); **Hole Spacing - From End:** 1 3/16" (20.6 mm); **Hole Spacing - On Center:** 1 7/8" (47.6 mm); **Width:** 1 5/8" (41mm); **Thickness:** 1/4" (6.4mm)

1 5/8" Channel  
 Telestrut System  
 Nuts & Hardware  
 General Fittings  
 Pipe/Conduit Supports  
 Electrical Fittings  
 Concrete Inserts  
 1 1/4" Framing System  
 1 3/16" Framing System  
 Fiberglass System  
 Special Metals  
 PrimeAngle System  
 Product Index



**UNISTRUT®**

# GENERAL FITTINGS



Flat Plate Fittings .....	90
Ninety Degree Fittings .....	94
Angular Fittings .....	101
"Z" Shape Fittings .....	102
"U" Shape Fittings .....	104
Wing Shape Fittings .....	109
Post Bases .....	112
Brackets .....	114
Brace Fittings .....	120
Beam Clamps .....	122
Trolleys .....	133
Special Application Fittings .....	135

## MATERIAL

Fittings, unless noted, are made from hot-rolled, pickled and oiled steel plates, strip or coil, and conform to ASTM specifications A575, A576, A635, or A36. The fitting steel also meets the physical requirements of ASTM A1011 SS GR 33. The pickling of the steel produces a smooth surface free from scale.

Many fittings are also available in stainless steel, aluminum and fiberglass. Consult factory for ordering information.

## FINISHES

Fittings are available in: Perma-Green II (GR), electro-galvanized (EG), conforming to ASTM B633 Type III SC1; Hot-dipped galvanized (HG), conforming to ASTM A123 or A153 and plain (PL).

## APPLICATION

All parts drawings illustrate only one application of each fitting. In most cases many other applications are possible. The channels shown in the illustrations are P1000, 1 $\frac{5}{8}$ " square, except where noted otherwise.

All  $\frac{3}{16}$ " diameter holes use  $\frac{1}{2}$ " x  $\frac{15}{16}$ " hex head cap screws and  $\frac{1}{2}$ " nuts - P1010, P4010 or P5510 - depending on the channel used. Nuts and bolts are not included with the fitting and must be ordered separately.

## DESIGN BOLT TORQUE

BOLT SIZE	$\frac{1}{4}$ "	$\frac{5}{16}$ "	$\frac{3}{8}$ "	$\frac{1}{2}$ "	$\frac{5}{8}$ "	$\frac{3}{4}$ "
FOOT LBS.	6	11	19	50	100	125
N·m	8	15	25	70	135	170

## DIMENSIONS

Imperial dimensions are illustrated in inches. Metric dimensions are shown in parenthesis or as noted. Unless noted, all metric dimensions are in millimeters and rounded to one decimal place.

## DESIGN LOAD

Design load data, where shown, is based on the ultimate strength of the connection with a safety factor of 2.5, unless otherwise noted.