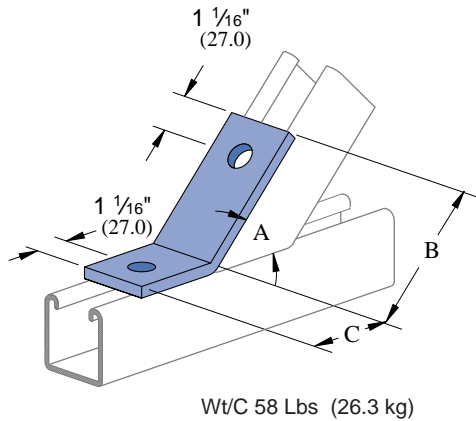


ANGULAR FITTINGS

FOR 1 5/8" (41 MM) WIDTH SERIES CHANNEL

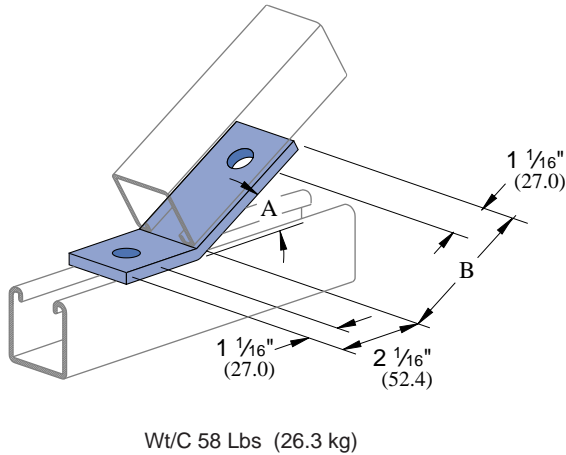


P1546, P2094 thru P2100



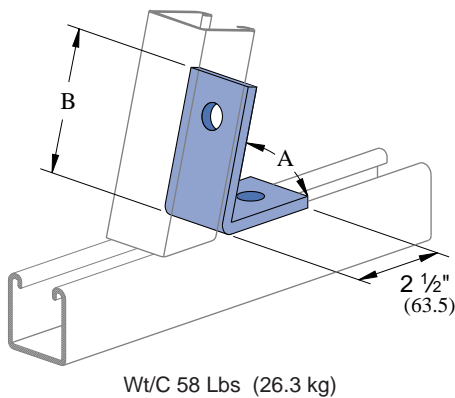
Part Number	"A"		"B"		"C"	
	Degree	rad	In	mm	In	mm
P2094	82 1/2°	.46	3 9/16	90.5	1 11/16	42.9
P2095	75°	.42	3 9/16	90.5	1 11/16	42.9
P2096	67 1/2°	.38	3 1/2	88.9	1 3/4	44.5
P2097	60°	.33	3 3/8	85.7	1 7/8	47.6
P2098	52 1/2°	.29	3 1/4	82.6	2 1/16	52.4
P1546	45°	.25	3	76.2	2 5/16	58.7
P2099	37 1/2°	.21	3 1/2	88.9	1 13/16	46.0
P2100	37 1/2°	.21	2 1/16	68.3	2 5/8	66.7

P2101 thru P2104



Part Number	"A"		"B"	
	Degree	rad	In	mm
P2101	30°	.17	3 1/4	82.6
P2102	22 1/2°	.13	3 5/16	84.1
P2103	15°	.08	3 5/16	84.1
P2104	7 1/2°	.04	3 5/16	84.1

P1186, P2105 thru P2110



Part Number	"A"		"B"	
	Degree	rad	In	mm
P2105	82 1/2°	.46	3 3/16	81.0
P2106	75°	.42	3 3/16	81.0
P2107	67 1/2°	.38	3 3/8	79.4
P2108	60°	.33	3 1/2	79.4
P2109	52 1/2°	.29	3 1/16	77.8
P1186	45°	.25	3 3/8	79.4
P2110	37 1/2°	.21	3	76.2

Hole Size	Hole Spacing	Width	Thickness
5/16" Diameter 14.3 mm	1 9/16" (20.6 mm) From End 1 7/8" (47.6 mm) On Center	1 5/8" 41.3 mm	1/4" 6.4 mm

1 5/8" Channels

Nuts & Hardware

General Fittings

Pipe/Conduit Supports

Electrical Fittings

Concrete Inserts

1/4" Framing System

13/16" Framing System

Spec. Metals & Fiberglass

Index

GENERAL FITTINGS

FOR 1 $\frac{5}{8}$ " (41 MM) WIDTH SERIES CHANNEL



1 $\frac{5}{8}$ "
Channels

Nuts &
Hardware

General
Fittings

Pipe/Conduit
Supports

Electrical
Fittings

Concrete
Inserts

1 $\frac{1}{4}$ " Framing
System

1 $\frac{3}{16}$ " Framing
System

Spec. Metals
& Fiberglass

Index

Page

Flat Plate Fittings

82

Ninety Degree Fittings

86

Angular Fittings

93

"Z" Shape Fittings

94

"U" Shape Fittings

96

Wing Shape Fittings

101

Post Bases

105

Brackets and Braces

106

Beam Clamps

112

Trolleys

122

Special Application Fittings

124

End Caps

126

Partition and Display Fittings

127



MATERIAL

Fittings, unless noted, are made from hot-rolled, pickled and oiled steel plates, strip or coil, and conform to ASTM specifications A575, A576, A635, or A36. The fitting steel also meets the physical requirements of ASTM A570 GR 33. The pickling of the steel produces a smooth surface free from scale.

Many fittings are also available in stainless steel, aluminum and fiberglass. Consult factory for ordering information.

FINISHES

Fittings are available in: Perma-Green II (GR), electro-galvanized

(EG), conforming to ASTM B633 Type III SC1; Hot-dipped galvanized (HG), conforming to ASTM A123 or A153 and plain (PL).

APPLICATION

All parts drawings illustrate only one application of each fitting. In most cases many other applications are possible. The channels shown in the illustrations are P1000, 1 $\frac{5}{8}$ " square, except where noted otherwise. All $\frac{3}{16}$ " diameter holes use $\frac{1}{2}$ " x $\frac{15}{16}$ " hex head cap screws and $\frac{1}{2}$ " nuts - P1010, P4010 or P5510 - depending on the channel used. Nuts and bolts are not included with the fitting and must be ordered separately.

DESIGN BOLT TORQUE

BOLT SIZE	1/4"	5/16"	3/8"	1/2"	5/8"	3/4"
20	20	18	16	13	11	10
FOOT LBS.	6	11	19	50	100	125
N·m	8	15	25	70	135	170

DIMENSIONS

Imperial dimensions are illustrated in inches. Metric dimensions are shown in parenthesis or as noted. Unless noted, all metric dimensions are in millimeters and rounded to one decimal place.

DESIGN LOAD

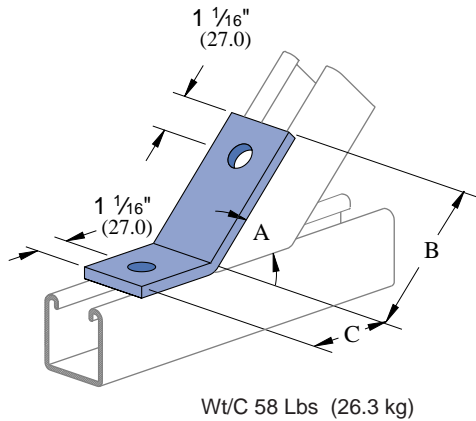
Design load data, where shown, is based on the ultimate strength of the connection with a safety factor of 2.5, unless otherwise noted.

ANGULAR FITTINGS

FOR 1 5/8" (41 MM) WIDTH SERIES CHANNEL

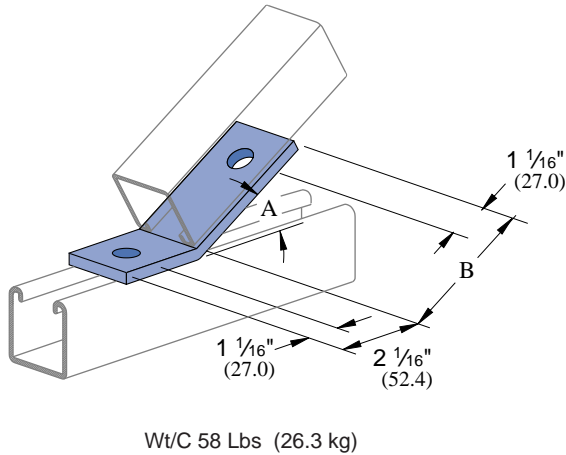


P1546, P2094 thru P2100



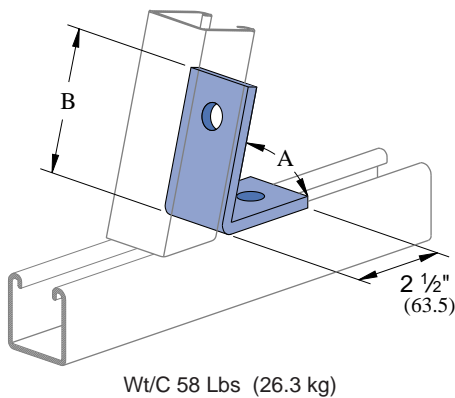
Part Number	"A"		"B"		"C"	
	Degree	rad	In	mm	In	mm
P2094	82 1/2°	.46	3 9/16	90.5	1 11/16	42.9
P2095	75°	.42	3 9/16	90.5	1 11/16	42.9
P2096	67 1/2°	.38	3 1/2	88.9	1 3/4	44.5
P2097	60°	.33	3 3/8	85.7	1 7/8	47.6
P2098	52 1/2°	.29	3 1/4	82.6	2 1/16	52.4
P1546	45°	.25	3	76.2	2 5/16	58.7
P2099	37 1/2°	.21	3 1/2	88.9	1 13/16	46.0
P2100	37 1/2°	.21	2 1/16	68.3	2 5/8	66.7

P2101 thru P2104



Part Number	"A"		"B"	
	Degree	rad	In	mm
P2101	30°	.17	3 1/4	82.6
P2102	22 1/2°	.13	3 5/16	84.1
P2103	15°	.08	3 5/16	84.1
P2104	7 1/2°	.04	3 5/16	84.1

P1186, P2105 thru P2110



Part Number	"A"		"B"	
	Degree	rad	In	mm
P2105	82 1/2°	.46	3 3/16	81.0
P2106	75°	.42	3 3/16	81.0
P2107	67 1/2°	.38	3 3/8	79.4
P2108	60°	.33	3 1/2	79.4
P2109	52 1/2°	.29	3 1/16	77.8
P1186	45°	.25	3 3/8	79.4
P2110	37 1/2°	.21	3	76.2

Hole Size	Hole Spacing	Width	Thickness
9/16" Diameter 14.3 mm	1 9/16" (20.6 mm) From End 1 7/8" (47.6 mm) On Center	1 5/8" 41.3 mm	1/4" 6.4 mm

1 5/8" Channels

Nuts & Hardware

General Fittings

Pipe/Conduit Supports

Electrical Fittings

Concrete Inserts

1 1/4" Framing System

1 3/16" Framing System

Spec. Metals & Fiberglass

Index

GENERAL FITTINGS

FOR 1⁵/₈" (41 MM) WIDTH SERIES CHANNEL



1⁵/₈"
Channels

Nuts &
Hardware

General
Fittings

Pipe/Conduit
Supports

Electrical
Fittings

Concrete
Inserts

1¹/₄" Framing
System

1³/₁₆" Framing
System

Spec. Metals
& Fiberglass

Index

Page

Flat Plate
Fittings

82

Ninety Degree
Fittings

86

Angular
Fittings

93

"Z" Shape
Fittings

94

"U" Shape
Fittings

96

Wing Shape
Fittings

101

Post Bases

105

Brackets and
Braces

106

Beam Clamps

112

Trolleys

122

Special Application
Fittings

124

End Caps

126

Partition and
Display Fittings

127



MATERIAL

Fittings, unless noted, are made from hot-rolled, pickled and oiled steel plates, strip or coil, and conform to ASTM specifications A575, A576, A635, or A36. The fitting steel also meets the physical requirements of ASTM A570 GR 33. The pickling of the steel produces a smooth surface free from scale.

Many fittings are also available in stainless steel, aluminum and fiberglass. Consult factory for ordering information.

FINISHES

Fittings are available in: Perma-Green II (GR), electro-galvanized

(EG), conforming to ASTM B633 Type III SC1; Hot-dipped galvanized (HG), conforming to ASTM A123 or A153 and plain (PL).

APPLICATION

All parts drawings illustrate only one application of each fitting. In most cases many other applications are possible. The channels shown in the illustrations are P1000, 1⁵/₈" square, except where noted otherwise. All ⁵/₁₆" diameter holes use 1/2" x ¹⁵/₁₆" hex head cap screws and 1/2" nuts - P1010, P4010 or P5510 - depending on the channel used. Nuts and bolts are not included with the fitting and must be ordered separately.

DESIGN BOLT TORQUE

BOLT SIZE	1/4"	5/16"	3/8"	1/2"	5/8"	3/4"
FOOT LBS.	20	18	16	13	11	10
N·m	6	11	19	50	100	125
	8	15	25	70	135	170

DIMENSIONS

Imperial dimensions are illustrated in inches. Metric dimensions are shown in parenthesis or as noted. Unless noted, all metric dimensions are in millimeters and rounded to one decimal place.

DESIGN LOAD

Design load data, where shown, is based on the ultimate strength of the connection with a safety factor of 2.5, unless otherwise noted.