

NINETY DEGREE ANGLE FITTINGS

FOR 1 5/8" (41 MM) WIDTH SERIES CHANNEL

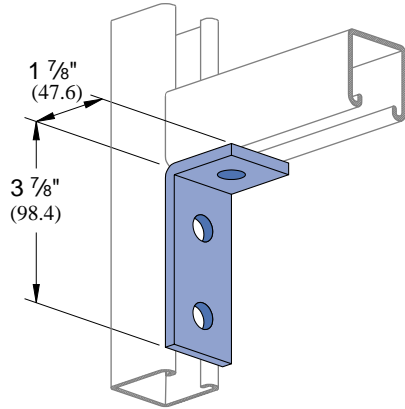


1 5/8" Channels

Nuts & Hardware

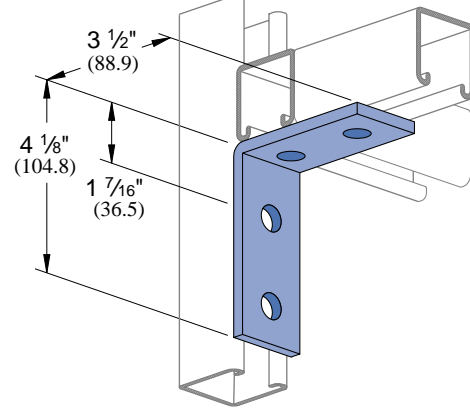
General Fittings

P1346



Wt/C 58 Lbs (26.3 kg)

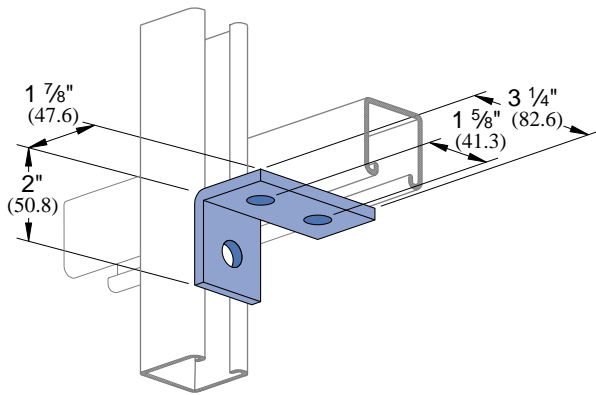
P1325



Wt/C 78 Lbs (35.4 kg)

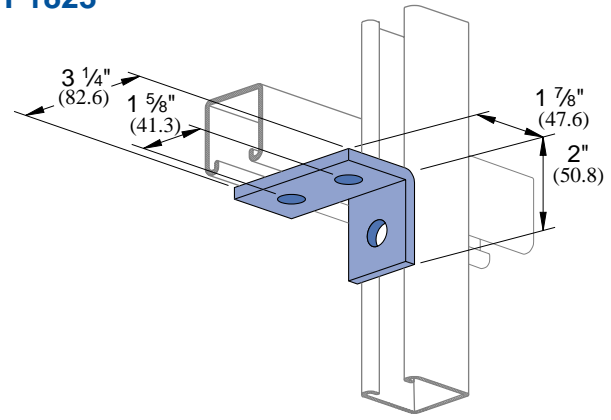
Pipe/Conduit Supports

P1822



Wt/C 55 Lbs (24.9 kg)

P1823



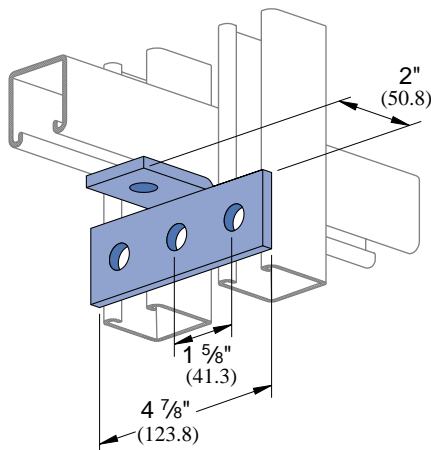
Wt/C 55 Lbs (24.9 kg)

Electrical Fittings

Concrete Inserts

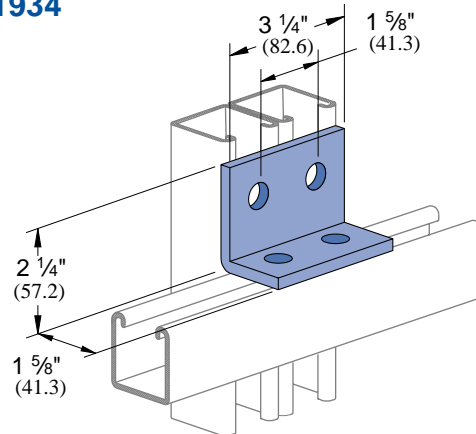
1 1/2" Framing System

P1821



Wt/C 71 Lbs (32.2 kg)

P1934



Wt/C 75 Lbs (34.0 kg)

1 3/16" Framing System

Spec. Metals & Fiberglass

Index

| Hole Size | Hole Spacing | Width | Thickness |
|---------------------------|--|-------------------|----------------|
| 9/16" Diameter 14.3 mm | 1 3/16" (20.6 mm) From End 1 7/8" (47.6 mm) On Center | 1 5/8" 41.3 mm | 1/4" 6.4 mm |

GENERAL FITTINGS

FOR 1⁵/₈" (41 MM) WIDTH SERIES CHANNEL



1⁵/₈" Channels

Nuts & Hardware

General Fittings

Pipe/Conduit Supports

Electrical Fittings

Concrete Inserts

1¹/₄" Framing System

1³/₁₆" Framing System

Spec. Metals & Fiberglass

Index

Page

| | |
|---------------------------------------|------------|
| Flat Plate Fittings | 82 |
| Ninety Degree Fittings | 86 |
| Angular Fittings | 93 |
| "Z" Shape Fittings | 94 |
| "U" Shape Fittings | 96 |
| Wing Shape Fittings | 101 |
| Post Bases | 105 |
| Brackets and Braces | 106 |
| Beam Clamps | 112 |
| Trolleys | 122 |
| Special Application Fittings | 124 |
| End Caps | 126 |
| Partition and Display Fittings | 127 |



MATERIAL

Fittings, unless noted, are made from hot-rolled, pickled and oiled steel plates, strip or coil, and conform to ASTM specifications A575, A576, A635, or A36. The fitting steel also meets the physical requirements of ASTM A570 GR 33. The pickling of the steel produces a smooth surface free from scale.

Many fittings are also available in stainless steel, aluminum and fiberglass. Consult factory for ordering information.

FINISHES

Fittings are available in: Perma-Green II (GR), electro-galvanized

(EG), conforming to ASTM B633 Type III SC1; Hot-dipped galvanized (HG), conforming to ASTM A123 or A153 and plain (PL).

APPLICATION

All parts drawings illustrate only one application of each fitting. In most cases many other applications are possible. The channels shown in the illustrations are P1000, 1⁵/₈" square, except where noted otherwise. All ¹/₁₆" diameter holes use 1/2" x ¹⁵/₁₆" hex head cap screws and 1/2" nuts - P1010, P4010 or P5510 - depending on the channel used. Nuts and bolts are not included with the fitting and must be ordered separately.

DESIGN BOLT TORQUE

| BOLT SIZE | 1/4" | 5/16" | 3/8" | 1/2" | 5/8" | 3/4" |
|-----------|------|-------|------|------|------|------|
| FOOT LBS. | 20 | 18 | 16 | 13 | 11 | 10 |
| N·m | 6 | 11 | 19 | 50 | 100 | 125 |

DIMENSIONS

Imperial dimensions are illustrated in inches. Metric dimensions are shown in parenthesis or as noted. Unless noted, all metric dimensions are in millimeters and rounded to one decimal place.

DESIGN LOAD

Design load data, where shown, is based on the ultimate strength of the connection with a safety factor of 2.5, unless otherwise noted.