



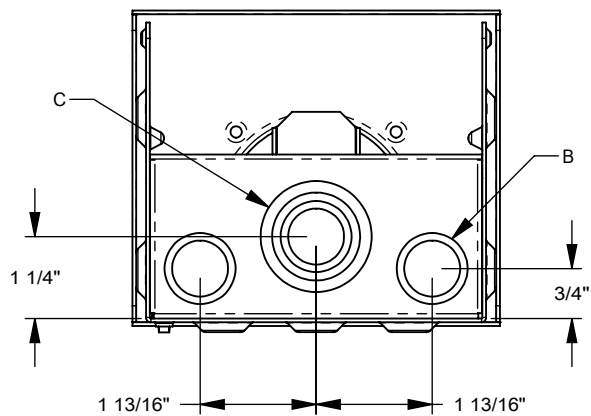
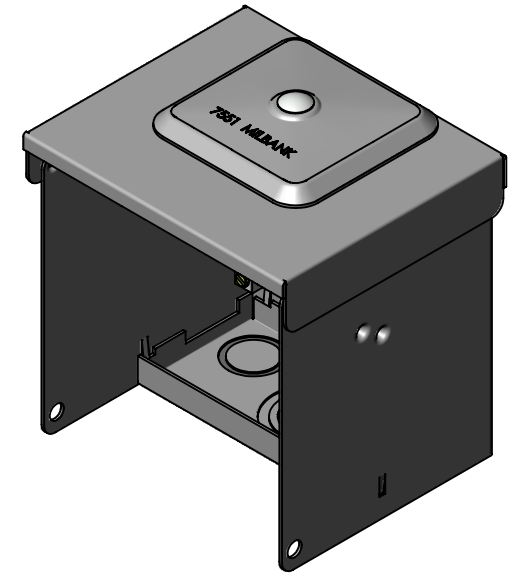
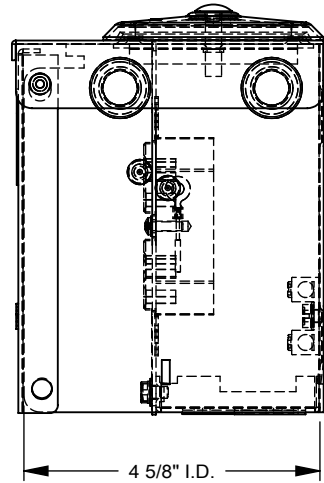
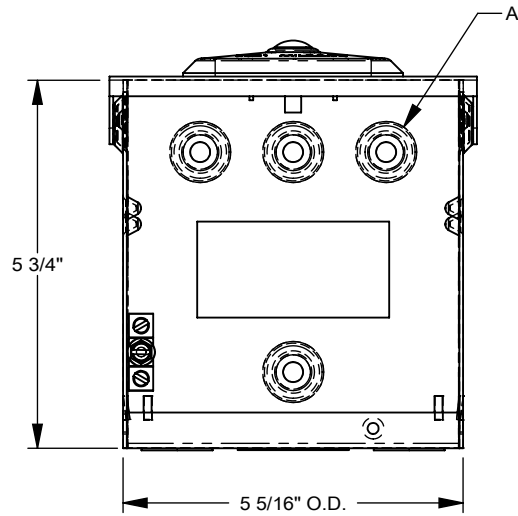
Catalog Number: P-13  
Item Description: RECEIPT IN BOX  
UPC Code: 784572118126

Brand Name: Milbank  
Type: Receptacle Enclosure  
Special Features: TT-30R  
Application: 30 Ampere, 120 Volts Alternating Current  
Standard: UL Listed  
Number Of Outlet: 1  
Material: Painted Steel  
Color: Gray  
Construction: Welded  
Cable Entry: Overhead or Underground  
Mounting: Surface Mount  
Knockouts: True



*Utility requirements may vary. Always consult the serving utility for their requirements prior to ordering or installing this equipment. This product must always be installed by a licensed electrician. Installation of this equipment may require local electrical inspector approval.*

FEATURE TABLE		
ITEM	QTY	DESCRIPTION
A	4	U/L MNTG.EMBOSS
B	2	1/2, 3/4 CONC. K.O.
C	1	1/2, 3/4, 1, 1 1/4 CONC. K.O.



Version:

**1**

All dimensions are +/- 1/16".  
 Drawing views are not to scale.  
 Utility requirements for this equipment may vary. Always consult the serving utility for their requirements prior to ordering or installing this equipment. This product must be installed by a licensed electrician. Installation of this equipment may require local electrical inspector approval.



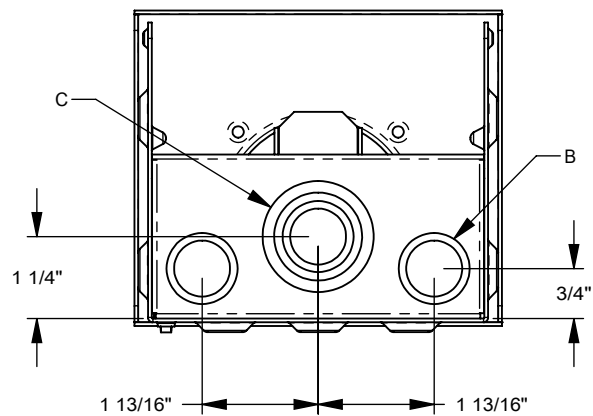
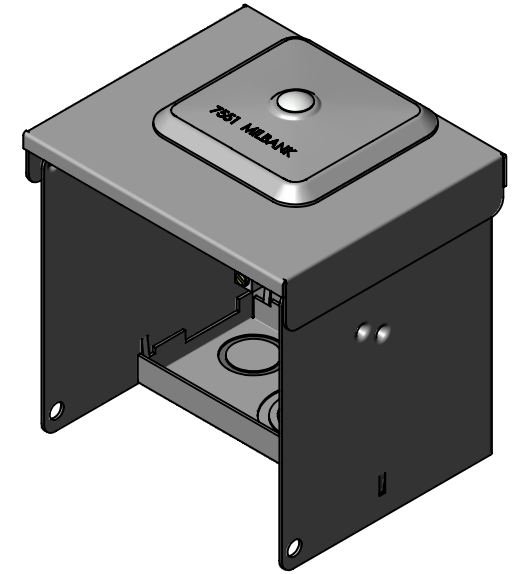
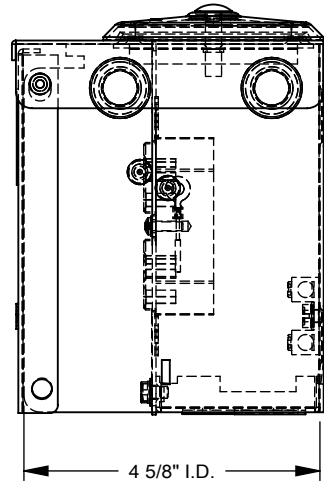
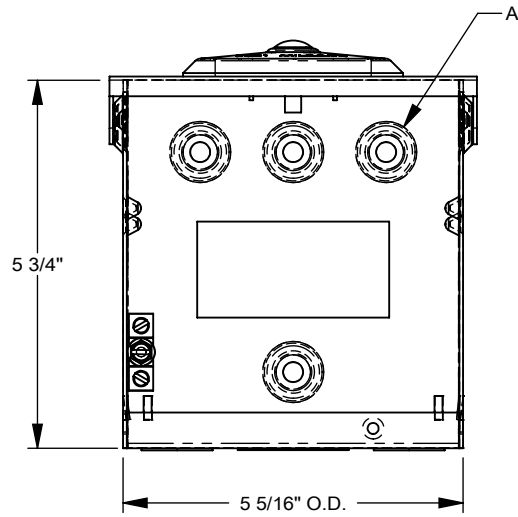
Catalog Number: P-13  
Item Description: RECEIPT IN BOX  
UPC Code: 784572118126

Brand Name: Milbank  
Type: Receptacle Enclosure  
Special Features: TT-30R  
Application: 30 Ampere, 120 Volts Alternating Current  
Standard: UL Listed  
Number Of Outlet: 1  
Material: Painted Steel  
Color: Gray  
Construction: Welded  
Cable Entry: Overhead or Underground  
Mounting: Surface Mount  
Knockouts: True



*Utility requirements may vary. Always consult the serving utility for their requirements prior to ordering or installing this equipment. This product must always be installed by a licensed electrician. Installation of this equipment may require local electrical inspector approval.*

FEATURE TABLE		
ITEM	QTY	DESCRIPTION
A	4	U/L MNTG.EMBOSS
B	2	1/2, 3/4 CONC. K.O.
C	1	1/2, 3/4, 1, 1 1/4 CONC. K.O.



Version:

1

All dimensions are +/- 1/16".  
 Drawing views are not to scale.  
 Utility requirements for this equipment may vary. Always consult the serving utility for their requirements prior to ordering or installing this equipment. This product must be installed by a licensed electrician. Installation of this equipment may require local electrical inspector approval.