

**LZ2N SERIES • LIGHTING**  
**NON-METALLIC FLUORESCENT**

**L159**



4' Nominal Style



2' Nominal Style

**Class I, Div. 2 Groups A,B,C,D**  
**Class I, Zones 2, Groups IIC,IIB,IIA**  
**Class II, Div. 1 & 2, Groups F,G**  
**AEx nAll, Ex nAll**  
**Wet Locations**  
**NEMA 4X, IP66**

Certified - File LR11713

**ABS** Type Approval  
**NSF** Food Handling

**FEATURES-SPECIFICATIONS**

| LZ2N, LZ2NE NON-METALLIC               |                            |   |  |
|--|----------------------------|---|--|
| NUMBER OF LAMPS/WATTS                  | VOLTAGE AC 60 Hz           | DESCRIPTION   | LZ2N   |
| <b>BIAXIAL LAMP TYPE FIXTURES</b>      |                            |   |  |
| 1-40W                                  | 120-277V                   | 2' 1-Lamp Biaxial Electronic 50/60 Hz 0°F Start 4-Pin                     | <b>LZ2N40130</b>   |
| 2-40W                                  | 120-277V                   | 2' 2-Lamp Biaxial Electronic 50/60 Hz 0°F Start 4-Pin                     | <b>LZ2N40230</b>   |
| 4-40W                                  | 120-277V                   | 4' 4-Lamp Biaxial Electronic 50/60 Hz 0°F Start 4-Pin                     | <b>LZ2N40430</b>   |
| <b>DOUBLE-ENDED LAMP TYPE FIXTURES</b> |                            |   |  |
| 2-28W                                  | 120-277V<br>50-60 Hz       | 4' 2-Lamp T-5 Electronic 0°F Start Miniature Bi-Pin                       | <b>LZ2N28230</b>   |
| 3-28W                                  | 120-277V<br>50-60 Hz       | 4' 3-Lamp T-5 Electronic 0°F Start Medium Bi-Pin                          | <b>LZ2N28330</b>   |
| 2-32W                                  | 120-277V<br>347V           | 4' 2-Lamp T-8 Electronic 50/60 Hz 0°F Start Medium Bi-Pin                 | <b>LZ2N32230</b><br><b>LZ2N32215</b>                     |
| 3-32W                                  | 120-277V<br>347V           | 4' 3-Lamp T-8 Electronic 50/60 Hz 0°F Start Miniature Bi-Pin              | <b>LZ2N32330</b><br><b>LZ2N32315</b>                     |
| 2-40W                                  | 120V<br>277V<br>230V 50 Hz | 4' 2-Lamp T-12 Electronic Medium Bi-Pin Start 50°F 40W/60°F 34W           | <b>LZ2N40201</b><br><b>LZ2N40204</b><br><b>LZ2N40208</b> |
| 2-44W                                  | 120V<br>277V               | 4' 2-Lamp T-8 Electronic -20°F Start High Output Recessed Double Contact  | <b>LZ2N44201</b><br><b>LZ2N44204</b>                     |
| 2-60W                                  | 120V<br>277V               | 4' 2-Lamp T-12 Electronic -20°F Start High Output Recessed Double Contact | <b>LZ2N60201</b><br><b>LZ2N60204</b>                     |

For optional fused ballasts, add to catalog number F1 for 120V, F4 for 277V, F8 for 230V. Fusing not for marine or Canadian use. Lamps not included. See optional mounting accessories on following page.

| REPLACEMENT BATTERY UNIT |
|--------------------------|
| KFBP7                    |

| EMERGENCY LUMEN CHART |                |
|-----------------------|----------------|
| LAMPS                 | INITIAL LUMENS |
| 1 X 40W BIAxIAL       | 625            |
| 2 X 32W               | 850            |
| 2 X 40W               | 610            |
| 1 X 44W               | 700            |
| 1 X 60W               | 780            |

| LZ2N <sup>①</sup>     |          |                   |            |             |                      |
|-----------------------|----------|-------------------|------------|-------------|----------------------|
| NUMBER OF LAMPS/WATTS | VOLTAGE  | LINE CURRENT AMPS |            | INPUT WATTS | STARTING TEMPERATURE |
| 1 X 40W BIAxIAL       | 120-277V | .35 (120V)        | .15 (277V) | 39          | 0°F (-18°C)          |
| 2 X 40W BIAxIAL       | 120-277V | .60 (120V)        | .28 (277V) | 78          | 0°F (-18°C)          |
| 4 X 40W BIAxIAL       | 120-277V | 1.32 (120V)       | .56 (277V) | 156         | 0°F (-18°C)          |
| 2 X 28W               | 120-277V | .55 (120V)        | .23 (277V) | 66          | 0°F (-18°C)          |
| 3 X 28W               | 120-277V | .83 (120V)        | .35 (277V) | 99          | 0°F (-18°C)          |
| 2 X 32W               | 120-277V | .54 (120V)        | .24 (277V) | 65          | 0°F (-18°C)          |
| 3 X 32W               | 120-277V | .71 (120V)        | .31 (277V) | 85          | 0°F (-18°C)          |
| 2 X 40W               | 120-277V | .62 (120V)        | .24 (277V) | 71          | 50°F (10°C)          |
| 2 X 44W               | 120-277V | .84 (120V)        | .36 (277V) | 99          | -20°F (-29°C)        |
| 2 X 60W               | 120-277V | 1.13 (120V)       | .48 (277V) | 125         | -20°F (-29°C)        |

① Includes normal powered LZ2NE models.





4' Nominal Style



2' Nominal Style

**Class I, Div. 2 Groups A,B,C,D**  
**Class I, Zones 2, Groups IIC, IIB, IIA**  
**Class II, Div. 1 & 2, Groups F,G**  
**AEx nAll, Ex nAll**  
**Wet Locations**  
**NEMA 4X, IP66**

Certified - File LR11713

**ABS Type Approval**  
**NSF Food Handling**

### FEATURES-SPECIFICATIONS

## LINEARLITE® \*

\* marca registrada MEXICO

### Applications

LINEARLITE® rugged Non-Metallic fluorescent fixtures are suitable for wet, harsh and hazardous locations. Use where enclosed and gasketed fixtures are required to withstand exposure to moisture, dust and corrosives. The LZ2N Series can also be used in Class I, Division 2 and Zone 2 hazardous vapors and in Class II areas where combustible dusts may exist. Typical areas used are in refineries, chemical plants, waste water & sewage treatment facilities, as well as in tunnels, food processing and coastal areas.

**ABS** (American Bureau of Shipping) type approval for use on decks, vessels, platforms, barges, ships and boats. Also suitable for docks and marinas.

### Features

- NEMA 4 & IP66 rated enclosure
- Housing-one piece fiberglass reinforced polyester
- Lense-Clear Lexan® impact resistant polycarbonate
- Two 3/4" NTP aluminum hubs - one at each end (includes one 3/4" close-up plug and two 3/4" x 1/2" reducers for maximum user flexibility)
- Two 1/4"-20 aluminum bushings furnished in top of fixture for threaded rod

Lexan® is a registered trademark of General Electric

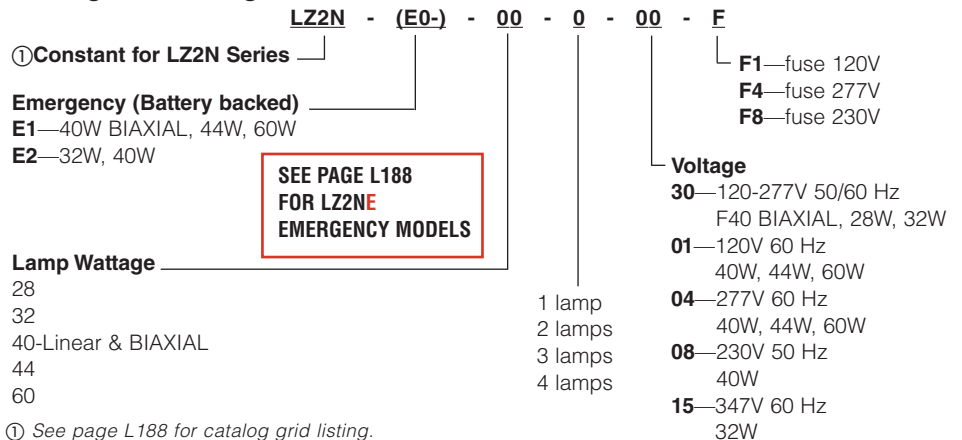
### Product Range

- 2' and 4' luminaries
- Lamp types-  
 Linear 28W, 32W, 40W, 60W  
 Long compact 40W (single ended)
- Emergency battery-backed
- Electronic ballast standard
- World voltage (most models) 120 thru 277V, 50/60 Hz



Quick release diffuser clamp and hinged cover requires no special tools.

### Catalog Number Logic

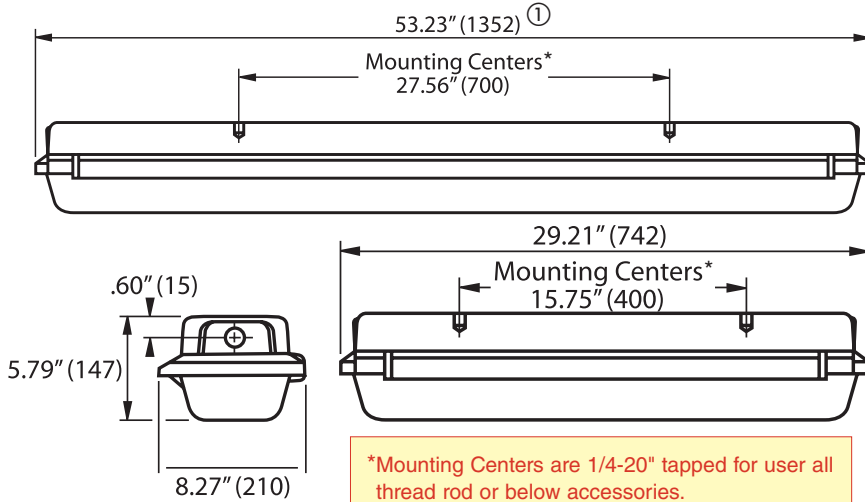


### LZ2N, LZ2NE HAZARDOUS LOCATION APPLICATION DATA

| NUMBER OF LAMPS/WATTS | RATED AMBIENT °C | SUITABLE FOR °C SUPPLY WIRE | CLASS I, DIV. 2 MAX. SURFACE TEMP. |        |            | CLASS II, DIV. 1 & 2 MAX. SURFACE TEMP. |        |         | CLASS III DIV. 1 & 2 SUITABILITY | NEMA 4X IP66 |
|-----------------------|------------------|-----------------------------|------------------------------------|--------|------------|---|--------|---------|----------------------------------|--------------|
|                       |                  |                             | TEMP.                              | T-CODE | GROUPS     | TEMP.                                   | T-CODE | GROUPS  |                                  |              |
| 1 X 40W BIAxIAL       | 40°              | 60                          | 100°C                              | T5     | A, B, C, D | 100°C                                   | T5     | E, F, G | Yes                              | Yes          |
| 2 X 40W BIAxIAL       | 40°              | 60                          | 100°C                              | T5     | A, B, C, D | 100°C                                   | T5     | E, F, G | Yes                              | Yes          |
| 4 X 40W BIAxIAL       | 40°              | 60                          | 120°C                              | T4A    | A, B, C, D | 100°C                                   | T5     | E, F, G | Yes                              | Yes          |
| 2 X 28W               | 40°              | 60                          | 120°C                              | T4A    | A, B, C, D | 100°C                                   | T5     | E, F, G | Yes                              | Yes          |
| 3 X 28W               | 40°              | 60                          | 120°C                              | T4A    | A, B, C, D | 100°C                                   | T5     | E, F, G | Yes                              | Yes          |
| 2 X 32W               | 40°              | 75                          | 85°C                               | T6     | A, B, C, D | 100°C                                   | T5     | E, F, G | Yes                              | Yes          |
| 3 X 32W               | 40°              | 75                          | 85°C                               | T6     | A, B, C, D | 100°C                                   | T5     | E, F, G | Yes                              | Yes          |
| 2 X 40W               | 40°              | 60                          | 120°C                              | T4A    | A, B, C, D | 100°C                                   | T5     | E, F, G | Yes                              | Yes          |
| 2 X 44W               | 40°              | 60                          | 100°C                              | T5     | A, B, C, D | 100°C                                   | T5     | E, F, G | Yes                              | Yes          |
| 2 X 60W               | 40°              | 75                          | 135°C                              | T4     | A, B, C, D | 100°C                                   | T5     | E, F, G | Yes                              | Yes          |

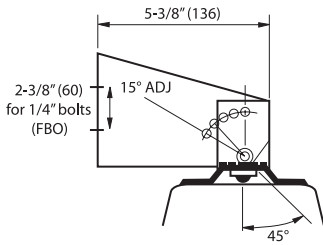
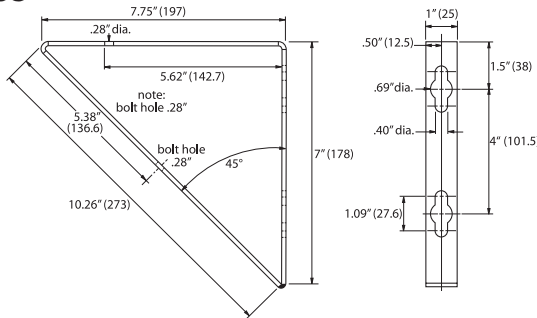


**KILLARK®**



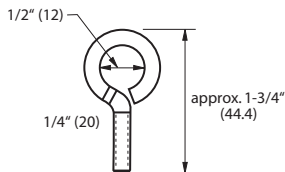
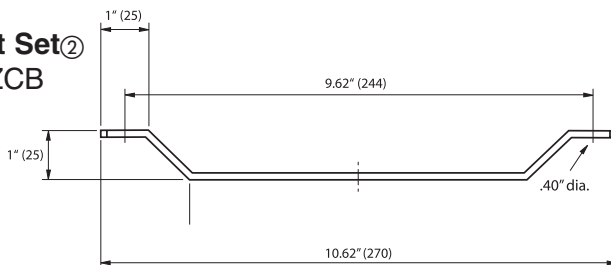
### Mounting Accessories

**Wall Bracket Set<sup>②</sup>**  
Part Number LZWB  
Stainless Steel  
(natural finish)



**Adjustable Wall Bracket Set<sup>②</sup>**  
Part Number LZAB  
Stainless Steel bracket with ceramic coated pivot bolt

**Ceiling Bracket Set<sup>②</sup>**  
Part Number LZCB  
Stainless Steel  
(natural finish)



**Eyebolt Set**  
Part Number LZEB  
Stainless Steel bolt with lockwasher & nut  
(natural finish)

**Suspension Chains (2 required)**  
Part Number HFX-SC  
36" length plated steel chain with snap link ends  
For use with LZEB

### FLUORESCENT FIXTURE- LZ2N40230

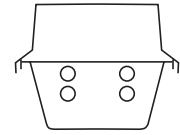
2' - 2 40 Watt Biaxial  
Lamp Type F40/2G11/835/RS  
Lumens 3150 each

**Total Bare Lamp**

**Lumens 6300**

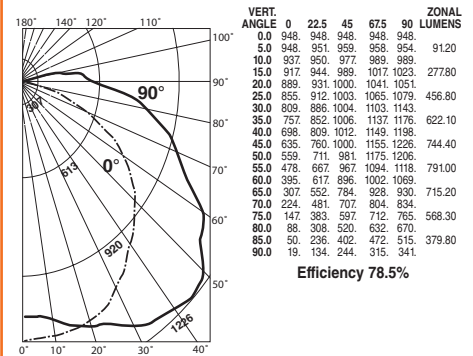
All data provided is for  
F40/2G11/835/RS lamps

For LZ2N40130 1-lamp  
models multiply x .50



#### ZONAL LUMENS

| ZONE | LUMENS |
|------|--------|
| 0-30 | 826    |
| 0-40 | 1447   |
| 0-60 | 2977   |
| 0-90 | 4638   |



#### COEFFICIENTS OF UTILIZATION - ZONAL CAVITY METHOD

| % EFFECTIVE CEILING CAVITY REFLECTANCE<br>$T_{cc}$ | 80                                     | 70          | 50       | 30       | 10       | 0   |
|--|--|-------------|----------|----------|----------|-----|
| % WALL REFLECTANCE<br>$T_w$                        | 70 50 30 10                            | 70 50 30 10 | 50 30 10 | 50 30 10 | 50 30 10 | 0   |
| ROOM CAVITY RATIO<br>RCR                           | 20% Effective Floor Cavity Reflectance |             |          |          |          |     |
| 0  | .92                                    | .92         | .92      | .90      | .90      | .90 |
| 1  | .81                                    | .76         | .72      | .68      | .79      | .74 |
| 2  | .73                                    | .65         | .58      | .53      | .70      | .63 |
| 3  | .65                                    | .56         | .48      | .42      | .63      | .54 |
| 4  | .59                                    | .49         | .41      | .35      | .57      | .47 |
| 5  | .54                                    | .43         | .35      | .29      | .52      | .42 |
| 6  | .50                                    | .38         | .30      | .25      | .48      | .37 |
| 7  | .46                                    | .34         | .27      | .22      | .44      | .33 |
| 8  | .43                                    | .31         | .24      | .19      | .41      | .30 |
| 9  | .40                                    | .28         | .21      | .17      | .38      | .28 |
| 10   | .37                                    | .26         | .19      | .15      | .36      | .25 |

SPACING TO MOUNTING HEIGHT RATIO - 1.28 0-180°  
SPACING TO MOUNTING HEIGHT RATIO - 1.88 90-270°

Test No. BAL12356

① Dimensions in ( ) are millimeters.  
② Product accessories have hardware for attachment to fixture; hardware to attach to wall/ceiling F.B.O.

**LZ2N SERIES • LIGHTING**  
**NON-METALLIC FLUORESCENT**

**L159**



4' Nominal Style



2' Nominal Style

**Class I, Div. 2 Groups A,B,C,D**  
**Class I, Zones 2, Groups IIC,IIB,IIA**  
**Class II, Div. 1 & 2, Groups F,G**  
**AEx nAll, Ex nAll**  
**Wet Locations**  
**NEMA 4X, IP66**

Certified - File LR11713

**ABS** Type Approval  
**NSF** Food Handling

**FEATURES-SPECIFICATIONS**

| LZ2N, LZ2NE NON-METALLIC               |                            |   |  |
|--|----------------------------|---|--|
| NUMBER OF LAMPS/WATTS                  | VOLTAGE AC 60 Hz           | DESCRIPTION   | LZ2N   |
| <b>BIAXIAL LAMP TYPE FIXTURES</b>      |                            |   |  |
| 1-40W                                  | 120-277V                   | 2' 1-Lamp Biaxial Electronic 50/60 Hz 0°F Start 4-Pin                     | <b>LZ2N40130</b>   |
| 2-40W                                  | 120-277V                   | 2' 2-Lamp Biaxial Electronic 50/60 Hz 0°F Start 4-Pin                     | <b>LZ2N40230</b>   |
| 4-40W                                  | 120-277V                   | 4' 4-Lamp Biaxial Electronic 50/60 Hz 0°F Start 4-Pin                     | <b>LZ2N40430</b>   |
| <b>DOUBLE-ENDED LAMP TYPE FIXTURES</b> |                            |   |  |
| 2-28W                                  | 120-277V<br>50-60 Hz       | 4' 2-Lamp T-5 Electronic 0°F Start Miniature Bi-Pin                       | <b>LZ2N28230</b>   |
| 3-28W                                  | 120-277V<br>50-60 Hz       | 4' 3-Lamp T-5 Electronic 0°F Start Medium Bi-Pin                          | <b>LZ2N28330</b>   |
| 2-32W                                  | 120-277V<br>347V           | 4' 2-Lamp T-8 Electronic 50/60 Hz 0°F Start Medium Bi-Pin                 | <b>LZ2N32230</b><br><b>LZ2N32215</b>                     |
| 3-32W                                  | 120-277V<br>347V           | 4' 3-Lamp T-8 Electronic 50/60 Hz 0°F Start Miniature Bi-Pin              | <b>LZ2N32330</b><br><b>LZ2N32315</b>                     |
| 2-40W                                  | 120V<br>277V<br>230V 50 Hz | 4' 2-Lamp T-12 Electronic Medium Bi-Pin Start 50°F 40W/60°F 34W           | <b>LZ2N40201</b><br><b>LZ2N40204</b><br><b>LZ2N40208</b> |
| 2-44W                                  | 120V<br>277V               | 4' 2-Lamp T-8 Electronic -20°F Start High Output Recessed Double Contact  | <b>LZ2N44201</b><br><b>LZ2N44204</b>                     |
| 2-60W                                  | 120V<br>277V               | 4' 2-Lamp T-12 Electronic -20°F Start High Output Recessed Double Contact | <b>LZ2N60201</b><br><b>LZ2N60204</b>                     |

For optional fused ballasts, add to catalog number F1 for 120V, F4 for 277V, F8 for 230V. Fusing not for marine or Canadian use. Lamps not included. See optional mounting accessories on following page.

| REPLACEMENT BATTERY UNIT |
|--------------------------|
| KFBP7                    |

| EMERGENCY LUMEN CHART |                |
|-----------------------|----------------|
| LAMPS                 | INITIAL LUMENS |
| 1 X 40W BIAxIAL       | 625            |
| 2 X 32W               | 850            |
| 2 X 40W               | 610            |
| 1 X 44W               | 700            |
| 1 X 60W               | 780            |

| LZ2N <sup>①</sup>     |          |                   |            |             |                      |
|-----------------------|----------|-------------------|------------|-------------|----------------------|
| NUMBER OF LAMPS/WATTS | VOLTAGE  | LINE CURRENT AMPS |            | INPUT WATTS | STARTING TEMPERATURE |
| 1 X 40W BIAxIAL       | 120-277V | .35 (120V)        | .15 (277V) | 39          | 0°F (-18°C)          |
| 2 X 40W BIAxIAL       | 120-277V | .60 (120V)        | .28 (277V) | 78          | 0°F (-18°C)          |
| 4 X 40W BIAxIAL       | 120-277V | 1.32 (120V)       | .56 (277V) | 156         | 0°F (-18°C)          |
| 2 X 28W               | 120-277V | .55 (120V)        | .23 (277V) | 66          | 0°F (-18°C)          |
| 3 X 28W               | 120-277V | .83 (120V)        | .35 (277V) | 99          | 0°F (-18°C)          |
| 2 X 32W               | 120-277V | .54 (120V)        | .24 (277V) | 65          | 0°F (-18°C)          |
| 3 X 32W               | 120-277V | .71 (120V)        | .31 (277V) | 85          | 0°F (-18°C)          |
| 2 X 40W               | 120-277V | .62 (120V)        | .24 (277V) | 71          | 50°F (10°C)          |
| 2 X 44W               | 120-277V | .84 (120V)        | .36 (277V) | 99          | -20°F (-29°C)        |
| 2 X 60W               | 120-277V | 1.13 (120V)       | .48 (277V) | 125         | -20°F (-29°C)        |

① Includes normal powered LZ2NE models.





4' Nominal Style



2' Nominal Style

**Class I, Div. 2 Groups A,B,C,D**  
**Class I, Zones 2, Groups IIC, IIB, IIA**  
**Class II, Div. 1 & 2, Groups F,G**  
**AEx nAll, Ex nAll**  
**Wet Locations**  
**NEMA 4X, IP66**

Certified - File LR11713

**ABS** Type Approval  
**NSF** Food Handling

### FEATURES-SPECIFICATIONS

## LINEARLITE® \*

\* marca registrada MEXICO

#### Applications

LINEARLITE® rugged Non-Metallic fluorescent fixtures are suitable for wet, harsh and hazardous locations. Use where enclosed and gasketed fixtures are required to withstand exposure to moisture, dust and corrosives. The LZ2N Series can also be used in Class I, Division 2 and Zone 2 hazardous vapors and in Class II areas where combustible dusts may exist. Typical areas used are in refineries, chemical plants, waste water & sewage treatment facilities, as well as in tunnels, food processing and coastal areas.

**ABS** (American Bureau of Shipping) type approval for use on decks, vessels, platforms, barges, ships and boats. Also suitable for docks and marinas.

#### Features

- NEMA 4 & IP66 rated enclosure
- Housing-one piece fiberglass reinforced polyester
- Lense-Clear Lexan® impact resistant polycarbonate
- Two 3/4" NTP aluminum hubs - one at each end (includes one 3/4" close-up plug and two 3/4" x 1/2" reducers for maximum user flexibility)
- Two 1/4"-20 aluminum bushings furnished in top of fixture for threaded rod

Lexan® is a registered trademark of General Electric

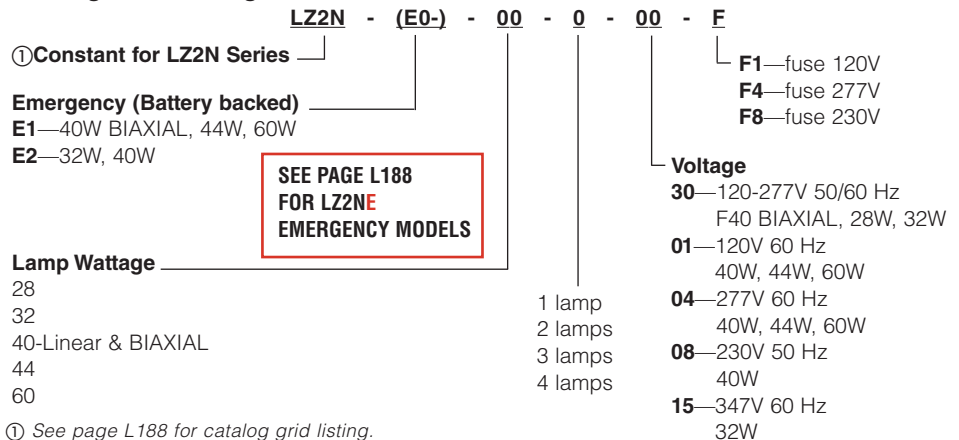
#### Product Range

- 2' and 4' luminaries
- Lamp types-  
 Linear 28W, 32W, 40W, 44W, 60W  
 Long compact 40W (single ended)
- Emergency battery-backed
- Electronic ballast standard
- World voltage (most models) 120 thru 277V, 50/60 Hz



Quick release diffuser clamp and hinged cover requires no special tools.

#### Catalog Number Logic

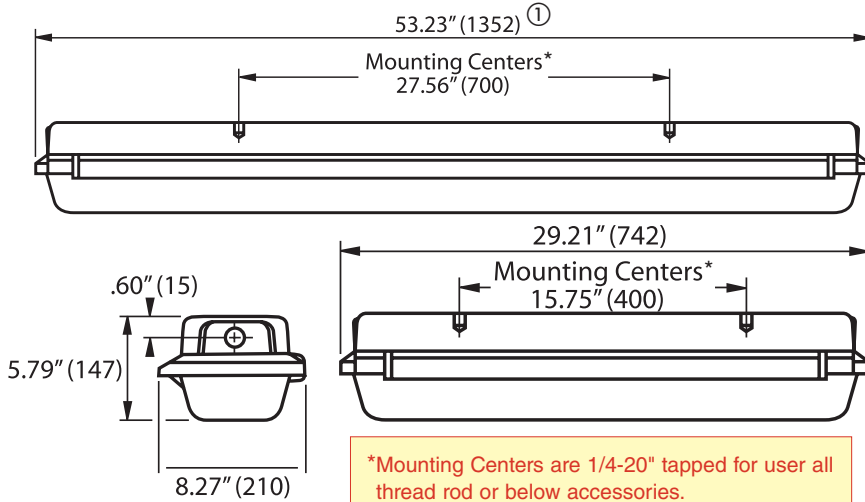


#### LZ2N, LZ2NE HAZARDOUS LOCATION APPLICATION DATA

| NUMBER OF LAMPS/WATTS | RATED AMBIENT °C | SUITABLE FOR °C SUPPLY WIRE | CLASS I, DIV. 2 MAX. SURFACE TEMP. |        |            | CLASS II, DIV. 1 & 2 MAX. SURFACE TEMP. |        |         | CLASS III DIV. 1 & 2 SUITABILITY | NEMA 4X IP66 |
|-----------------------|------------------|-----------------------------|------------------------------------|--------|------------|---|--------|---------|----------------------------------|--------------|
|                       |                  |                             | TEMP.                              | T-CODE | GROUPS     | TEMP.                                   | T-CODE | GROUPS  |                                  |              |
| 1 X 40W BIAxIAL       | 40°              | 60                          | 100°C                              | T5     | A, B, C, D | 100°C                                   | T5     | E, F, G | Yes                              | Yes          |
| 2 X 40W BIAxIAL       | 40°              | 60                          | 100°C                              | T5     | A, B, C, D | 100°C                                   | T5     | E, F, G | Yes                              | Yes          |
| 4 X 40W BIAxIAL       | 40°              | 60                          | 120°C                              | T4A    | A, B, C, D | 100°C                                   | T5     | E, F, G | Yes                              | Yes          |
| 2 X 28W               | 40°              | 60                          | 120°C                              | T4A    | A, B, C, D | 100°C                                   | T5     | E, F, G | Yes                              | Yes          |
| 3 X 28W               | 40°              | 60                          | 120°C                              | T4A    | A, B, C, D | 100°C                                   | T5     | E, F, G | Yes                              | Yes          |
| 2 X 32W               | 40°              | 75                          | 85°C                               | T6     | A, B, C, D | 100°C                                   | T5     | E, F, G | Yes                              | Yes          |
| 3 X 32W               | 40°              | 75                          | 85°C                               | T6     | A, B, C, D | 100°C                                   | T5     | E, F, G | Yes                              | Yes          |
| 2 X 40W               | 40°              | 60                          | 120°C                              | T4A    | A, B, C, D | 100°C                                   | T5     | E, F, G | Yes                              | Yes          |
| 2 X 44W               | 40°              | 60                          | 100°C                              | T5     | A, B, C, D | 100°C                                   | T5     | E, F, G | Yes                              | Yes          |
| 2 X 60W               | 40°              | 75                          | 135°C                              | T4     | A, B, C, D | 100°C                                   | T5     | E, F, G | Yes                              | Yes          |

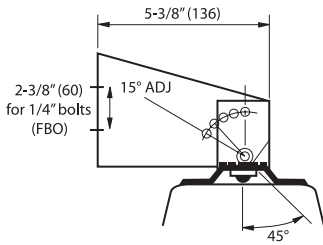
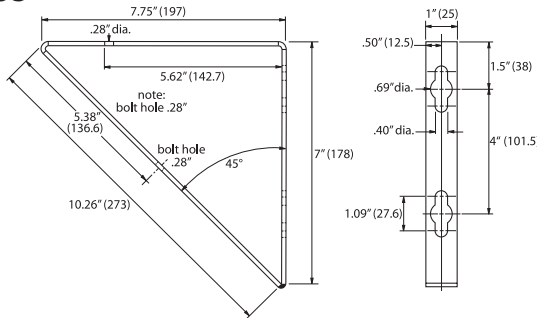


**KILLARK®**



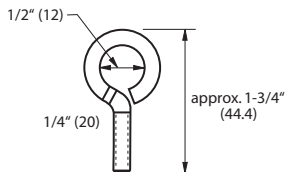
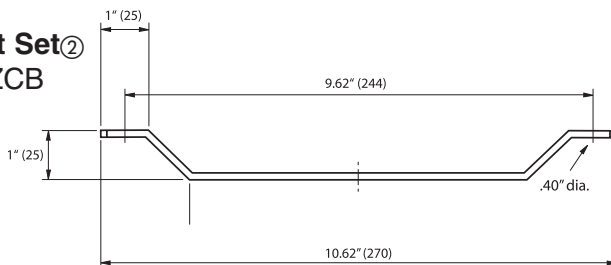
### Mounting Accessories

**Wall Bracket Set<sup>2</sup>**  
Part Number LZWB  
Stainless Steel  
(natural finish)



**Adjustable Wall Bracket Set<sup>2</sup>**  
Part Number LZAB  
Stainless Steel bracket with ceramic coated pivot bolt

**Ceiling Bracket Set<sup>2</sup>**  
Part Number LZCB  
Stainless Steel  
(natural finish)



**Eyebolt Set**  
Part Number LZEB  
Stainless Steel bolt with lockwasher & nut  
(natural finish)

**Suspension Chains (2 required)**  
Part Number HFX-SC  
36" length plated steel chain with snap link ends  
For use with LZEB

### FLUORESCENT FIXTURE- LZ2N40230

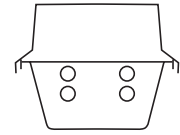
2' - 2 40 Watt Biaxial  
Lamp Type F40/2G11/835/RS  
Lumens 3150 each

**Total Bare Lamp**

**Lumens 6300**

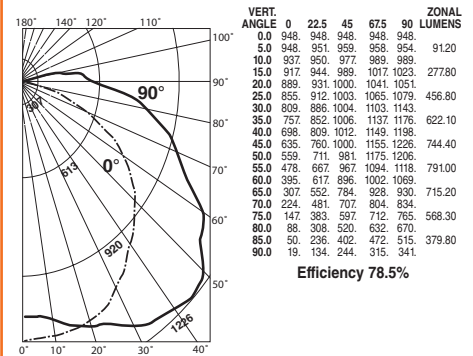
All data provided is for  
F40/2G11/835/RS lamps

For LZ2N40130 1-lamp  
models multiply x .50



#### ZONAL LUMENS

| ZONE | LUMENS |
|------|--------|
| 0-30 | 826    |
| 0-40 | 1447   |
| 0-60 | 2977   |
| 0-90 | 4638   |



### COEFFICIENTS OF UTILIZATION - ZONAL CAVITY METHOD

| % EFFECTIVE CEILING CAVITY REFLECTANCE<br><i>T<sub>cc</sub></i> | 80                                     |     |     |     |     | 70  |     |     |     |     | 50  |     |     |     |     | 30  |     |     |     |     | 10  |     |     |     |     | 0   |     |     |     |     |     |     |     |     |     |     |
|---|--|-----|-----|-----|-----|-----|-----|-----|-----|-----|-----|-----|-----|-----|-----|-----|-----|-----|-----|-----|-----|-----|-----|-----|-----|-----|-----|-----|-----|-----|-----|-----|-----|-----|-----|-----|
|   | 80                                     | 70  | 50  | 30  | 10  | 0   | 80  | 70  | 50  | 30  | 10  | 0   | 80  | 70  | 50  | 30  | 10  | 0   | 80  | 70  | 50  | 30  | 10  | 0   | 80  | 70  | 50  | 30  | 10  | 0   |     |     |     |     |     |     |
| % WALL REFLECTANCE<br><i>T<sub>w</sub></i>                      | 70                                     | 50  | 30  | 10  | 0   | 70  | 50  | 30  | 10  | 0   | 50  | 30  | 10  | 0   | 50  | 30  | 10  | 0   | 50  | 30  | 10  | 0   | 50  | 30  | 10  | 0   | 50  | 30  | 10  | 0   |     |     |     |     |     |     |
| ROOM CAVITY RATIO<br><i>RCR</i>                                 | 20% Effective Floor Cavity Reflectance |     |     |     |     |     |     |     |     |     |     |     |     |     |     |     |     |     |     |     |     |     |     |     |     |     |     |     |     |     |     |     |     |     |     |     |
| 0   | .92                                    | .92 | .92 | .92 | .90 | .90 | .90 | .90 | .84 | .84 | .84 | .80 | .80 | .80 | .76 | .76 | .74 | .92 | .92 | .92 | .92 | .90 | .90 | .90 | .90 | .84 | .84 | .84 | .80 | .80 | .80 | .76 | .76 | .74 |     |     |
| 1   | .81                                    | .76 | .72 | .68 | .79 | .74 | .70 | .66 | .70 | .66 | .63 | .66 | .63 | .61 | .62 | .60 | .58 | .56 | .81 | .76 | .72 | .68 | .79 | .74 | .70 | .66 | .70 | .66 | .63 | .66 | .63 | .61 | .62 | .60 | .58 | .56 |
| 2   | .73                                    | .65 | .58 | .53 | .70 | .63 | .57 | .52 | .59 | .54 | .50 | .56 | .52 | .48 | .53 | .49 | .46 | .44 | .73 | .65 | .58 | .53 | .70 | .63 | .57 | .52 | .59 | .54 | .50 | .56 | .52 | .48 | .53 | .49 | .46 | .44 |
| 3   | .65                                    | .56 | .48 | .42 | .63 | .54 | .47 | .42 | .51 | .45 | .40 | .48 | .43 | .39 | .45 | .41 | .37 | .35 | .65 | .56 | .48 | .42 | .63 | .54 | .47 | .42 | .51 | .45 | .40 | .48 | .43 | .39 | .45 | .41 | .37 | .35 |
| 4   | .59                                    | .49 | .41 | .35 | .57 | .47 | .40 | .34 | .45 | .38 | .33 | .42 | .37 | .32 | .40 | .35 | .31 | .29 | .59 | .49 | .41 | .35 | .57 | .47 | .40 | .34 | .45 | .38 | .33 | .42 | .37 | .32 | .40 | .35 | .31 | .29 |
| 5   | .54                                    | .43 | .35 | .29 | .52 | .42 | .34 | .29 | .39 | .33 | .28 | .37 | .32 | .27 | .35 | .30 | .26 | .24 | .54 | .43 | .35 | .29 | .52 | .42 | .34 | .29 | .39 | .33 | .28 | .37 | .32 | .27 | .35 | .30 | .26 | .24 |
| 6   | .50                                    | .38 | .30 | .25 | .48 | .37 | .30 | .25 | .35 | .29 | .24 | .33 | .28 | .23 | .32 | .27 | .23 | .21 | .50 | .38 | .30 | .25 | .48 | .37 | .30 | .25 | .35 | .29 | .24 | .33 | .28 | .23 | .32 | .27 | .23 | .21 |
| 7   | .46                                    | .34 | .27 | .22 | .44 | .33 | .26 | .21 | .32 | .25 | .21 | .30 | .25 | .20 | .29 | .24 | .20 | .18 | .46 | .34 | .27 | .22 | .44 | .33 | .26 | .21 | .32 | .25 | .21 | .30 | .25 | .20 | .29 | .24 | .20 | .18 |
| 8   | .43                                    | .31 | .24 | .19 | .41 | .30 | .24 | .19 | .29 | .23 | .18 | .27 | .22 | .18 | .26 | .21 | .17 | .16 | .43 | .31 | .24 | .19 | .41 | .30 | .24 | .19 | .29 | .23 | .18 | .27 | .22 | .18 | .26 | .21 | .17 | .16 |
| 9   | .40                                    | .28 | .21 | .17 | .38 | .28 | .21 | .17 | .26 | .20 | .16 | .25 | .20 | .16 | .24 | .19 | .16 | .14 | .40 | .28 | .21 | .17 | .38 | .28 | .21 | .17 | .26 | .20 | .16 | .25 | .20 | .16 | .24 | .19 | .16 | .14 |
| 10  | .37                                    | .26 | .19 | .15 | .36 | .25 | .19 | .15 | .24 | .19 | .15 | .23 | .18 | .14 | .22 | .17 | .14 | .12 | .37 | .26 | .19 | .15 | .36 | .25 | .19 | .15 | .24 | .19 | .15 | .23 | .18 | .14 | .22 | .17 | .14 | .12 |

SPACING TO MOUNTING HEIGHT RATIO - 1.28 0-180°  
SPACING TO MOUNTING HEIGHT RATIO - 1.88 90-270°

Test No. BAL12356

① Dimensions in ( ) are millimeters.  
② Product accessories have hardware for attachment to fixture; hardware to attach to wall/ceiling F.B.O.