

## DESCRIPTION

The Halo LT560 is an LED Baffle-Trim Module for 5" and 6" aperture recessed downlights; suitable for new construction, remodel and retrofit installation. The LT560 is cULus Listed for use with Halo and All-Pro, and is UL Classified for use with other compatible 5" and 6" housings. Precision construction makes any housing AIR-TITE for added HVAC savings and code compliance.

Catalog #		Type
Project		
Comments		Date
Prepared by		

## SPECIFICATION FEATURES

### MECHANICAL

#### Module - Trim

- Module construction includes LED, heat sink, reflector, lens, baffle and trim ring

#### Lens

- Regressed lens
- Impact-resistant polycarbonate
- Convex form for lamp-like appearance
- Diffusing for even illumination

#### Mounting

- Torsion springs are pre-installed and adjust to fit 5" and 6" compatible housings

#### Housing Compatibility

See Housing Compatibility

#### LED

- Color Temperature (CCT)  
Options: 2700K, 3000K, 3500K, 4000K, 5000K
- CRI: 90  
- 90 CRI can be used for California Title 24 compliance/certified to Title 20

#### LED Chromaticity

- A tight chromaticity specification ensures LED color uniformity, sustainable Color Rendering Index (CRI) and Correlated Color Temperature (CCT) over the useful life of the LED
- LED chromaticity of 3 SDCM exceeds ENERGY STAR® color standards per ANSI C78.377- 2011
- High color performance with R9 greater than 50
- Halo LED serialized testing and measurement ensures color and lumen consistency on a per-unit basis, and validates long-term product consistency over time

### ELECTRICAL

#### Power Connections

- LED connector is a non-screw base luminaire disconnect offering easy installation with the matching Halo 5" and 6" LED

housings

- LED Connector meets California Title-24 high efficacy luminaire requirement for a non-screw base socket, and where required to qualify as a high efficacy luminaire
- The included E26 medium screw-base Edison adapter provides easy retrofit of incandescent housings (see Housing Compatibility)

#### Ground Connection

Separate grounding cable included on the module for attachment to the housing during installation

#### LED Driver

- 120V 50/60 Hz constant current dimmable driver provides high-efficiency operation
- If dimming is not required the fixture can be operated from a standard wall switch

#### Dimming

- Designed for continuous dimming capability to nominally 10% with many 120V Leading Edge (LE) and Trailing Edge (TE) Phase Control dimmers. (Dimmers with low end trim adjustment offer greater assurance of achieving 10% level.)
- Consult dimmer manufacturer for compatibility and conditions of use

**Note:** some dimmers require a neutral in the wallbox.

#### Warranty

Five-year limited warranty.

#### Compliance Labels

- UL/cUL Listed 1598 Luminaire (with listed housings)
- UL Classified (with other housings - see Housing Compatibility)
- UL/cUL Listed for Damp Location
- UL/cUL Listed for Wet Location covered ceiling – Shower Applications

- IP56 Ingress Protection rated
- May be installed in housings in direct contact with insulation\*\* and combustible material

### COMPLIANCE

- Airtight certified per ASTM-E283-04 (not exceeding 2.0 CFM under 75 Pascals pressure difference)
- Can be used to comply with California Title 24 High Efficacy requirements. Certified to California Title 20 Appliance Efficiency Database.\*
- Can be used for International Energy Conservation Code (IECC) high efficiency luminaire compliance.
- ENERGY STAR® Certified luminaire - consult ENERGY STAR® Certified Product List\*
- EMI/RFI per FCC 47CFR Part 15 Class B Consumer limits, suitable for use in residential and commercial installations
- Contains no mercury or lead and RoHS compliant.
- Photometric testing in accordance with IES LM-79
- Lumen maintenance projections in accordance with IES LM-80 and TM-21
- Can be used in closets. Compliant with NFPA 70, NEC section 410.16 (A)(1) and 410.16 (C)(3).



## LT560

### 600 Series 5/6-Inch LED Recessed Retrofit Module-Trim

**90CRI  
2700K, 3000K, 3500K,  
4000K, 5000K**

**FOR USE IN  
INSULATED CEILING  
AND NON- INSULATED  
CEILING RATED  
HOUSINGS**

**HIGH-EFFICACY LED  
WITH INTEGRAL  
DRIVER - DIMMABLE**

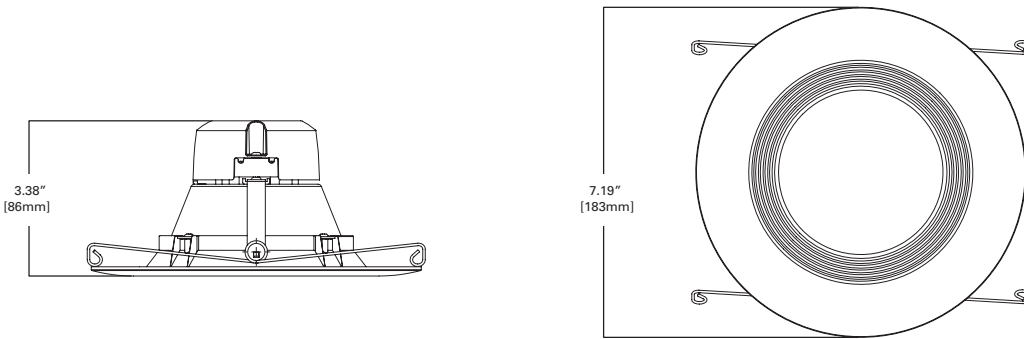
### ENERGY DATA

LT56 Series (Values at non-dimming line voltage)	
Input Voltage	120 VAC
Input Current	0.085A - 0.089A (per input power)
Input Power	LT560WH6927 10.0 W
	LT560WH6930 10.0 W
	LT560WH6935 10.0 W
	LT560WH6940 10.4 W
	LT560WH6950 10.3 W
THD	≤ 24%
PF	≥ 0.90
T Ambient	-30°C to +40°C
Sound Rating	Class A
(all values at 25°C without a dimming control in circuit)	



Refer to ENERGY STAR® Certified Products List.  
Can be used to comply with California Title 24 High Efficacy requirements.  
Certified to California Title 20 Appliance Efficiency Database.

**DIMENSIONS**



**ORDERING INFORMATION**

**SAMPLE NUMBER:** LT560WH6930  
 Complete unit includes an LT560 Baffle-Trim LED module and a 5" or 6" compatible housing ordered separately.

Models	Accessory (Order Separately)
<p><b>LT560WH6927</b>= 5"/6" Retrofit Baffle - Trim LED Module, 90 CRI, 2700K, Matte White  <b>LT560WH6930</b>= 5"/6" Retrofit Baffle - Trim LED Module, 90 CRI, 3000K, Matte White  <b>LT560WH6935</b>= 5"/6" Retrofit Baffle - Trim LED Module, 90 CRI, 3500K, Matte White  <b>LT560WH6940</b>= 5"/6" Retrofit Baffle - Trim LED Module, 90 CRI, 4000K, Matte White  <b>LT560WH6950</b>= 5"/6" Retrofit Baffle - Trim LED Module, 90 CRI, 5000K, Matte White</p>	<p><b>HE26LED</b>=Replacement screw base adapter (one included with unit)</p>  <p>E26 Screw base adapter for retrofit (included)</p>

**HOUSING COMPATIBILITY**

**Compatible Halo LED Housings with LED luminaire connector (high-efficiency compliant)**

<b>HALO LED</b>	Recessed Can Size	Catalog Number
	<b>5"</b>	H550ICAT, H550RICAT
<b>6"</b>	H750ICAT, H750RICAT, H750T, H750TCP, H2750ICAT, H2750RICAT	

**Halo LED Retrofit Enclosures**

<b>HALO</b>	<b>6"</b>	ML7BXRFK, ML7E26RFK
-------------	-----------	---------------------

**Compatible Halo Incandescent E26 Screwbase Housings**

<b>HALO</b>	<b>5"</b>	H5ICAT, H5ICATNB, H5RICAT, H5T, H5TNB, H5RT, H5TM, H25ICAT, H25ICATNB, E5ICAT, E5ICATNB, E5RICAT, E5TAT, E5TATNB, E5RTAT
	<b>6"</b>	H7ICAT, H7RICAT, H7ICT, H7RICT, H7ICATNB, H7ICTNB, H7T, H7RT, H7TNB, H7TCP, H7UICAT, H7UICATNB, H27ICAT, H27RICAT, H27ICT, H27RICT, H27T, H27RT, E7ICAT, E7RICAT, E7ICATNB, E27ICAT, E27RICAT, E7TAT, E7RTAT

**Compatible All-Pro Incandescent E26 Screwbase Housings**

<b>ALL-PRO</b>	<b>5"</b>	EI500AT, EI500RAT, ET500, ET500R
	<b>6"</b>	EI700AT, EI700RAT, EI700, EI700R, EI700ATNB, EI700NB, EI700U, EI700UAT, ET700, ET700R, EI2700AT, EI2700, EI2700R, ET2700, ET2700R

**LT56 Series LED Retrofit is UL Classified for retrofit in the following 5/6" recessed housings:**

The LT Series LED light module - trim combination is cULus Listed or UL Classified for use with any 5"/6" diameter recessed housing constructed of steel or aluminum with an internal volume that exceeds 107.9 in<sup>3</sup> in addition to those noted above.

**Product Specifications**

**LT560WH6927 - 90 CRI**

<b>LED lighting facts</b> A Program of the U.S. DOE	
Light Output (Lumens)	700
Watts	10
Lumens per Watt (Efficacy)	70
Color Accuracy Color Rendering Index (CRI)	90
Light Color Correlated Color Temperature (CCT)	2700 (Warm White)
<small>All results are according to IESNA LM-79-2008. Approved Method for the Electrical and Photometric Testing of Solid-State Lighting. The U.S. Department of Energy (DOE) verifies product test data and results.</small>	
<small>Visit <a href="http://www.lightingfacts.com">www.lightingfacts.com</a> for the Label Reference Guide.</small>	
<small>Registration Number: F4QJ-BAY23A (1/12/2016) Model Number: LT560WH6927 Type: Luminaire - Downlight</small>	

**LT560WH6930 - 90 CRI**

<b>LED lighting facts</b> A Program of the U.S. DOE	
Light Output (Lumens)	683
Watts	10
Lumens per Watt (Efficacy)	68.3
Color Accuracy Color Rendering Index (CRI)	90
Light Color Correlated Color Temperature (CCT)	3000 (Bright White)
<small>All results are according to IESNA LM-79-2008. Approved Method for the Electrical and Photometric Testing of Solid-State Lighting. The U.S. Department of Energy (DOE) verifies product test data and results.</small>	
<small>Visit <a href="http://www.lightingfacts.com">www.lightingfacts.com</a> for the Label Reference Guide.</small>	
<small>Registration Number: F4QJ-XBLXSH (8/16/2016) Model Number: LT560WH6930 (Upgrade: 8/16/2016) Type: Luminaire - Downlight</small>	

**LT560WH6935 - 90 CRI**

<b>LED lighting facts</b> A Program of the U.S. DOE	
Light Output (Lumens)	697
Watts	10
Lumens per Watt (Efficacy)	69.7
Color Accuracy Color Rendering Index (CRI)	90
Light Color Correlated Color Temperature (CCT)	3500 (Bright White)
<small>All results are according to IESNA LM-79-2008. Approved Method for the Electrical and Photometric Testing of Solid-State Lighting. The U.S. Department of Energy (DOE) verifies product test data and results.</small>	
<small>Visit <a href="http://www.lightingfacts.com">www.lightingfacts.com</a> for the Label Reference Guide.</small>	
<small>Registration Number: F4QJ-6Q8R24 (8/16/2016) Model Number: LT560WH6935 (Upgrade: 8/16/2016) Type: Luminaire - Downlight</small>	

**LT560WH6940 - 90 CRI**

<b>LED lighting facts</b> A Program of the U.S. DOE	
Light Output (Lumens)	737
Watts	10.4
Lumens per Watt (Efficacy)	70.87
Color Accuracy Color Rendering Index (CRI)	90
Light Color Correlated Color Temperature (CCT)	4000 (Bright White)
<small>All results are according to IESNA LM-79-2008. Approved Method for the Electrical and Photometric Testing of Solid-State Lighting. The U.S. Department of Energy (DOE) verifies product test data and results.</small>	
<small>Visit <a href="http://www.lightingfacts.com">www.lightingfacts.com</a> for the Label Reference Guide.</small>	
<small>Registration Number: F4QJ-TTCXMG (1/2/2016) Model Number: LT560WH6940 Type: Luminaire - Downlight</small>	

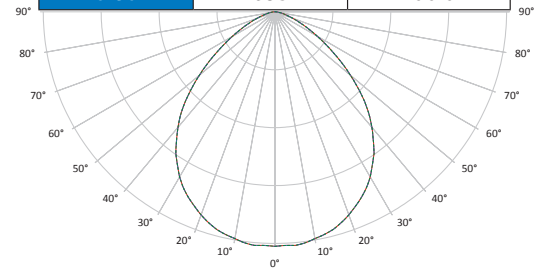
**LT560WH6950 - 90 CRI**

<b>LED lighting facts</b> A Program of the U.S. DOE	
Light Output (Lumens)	754
Watts	10.3
Lumens per Watt (Efficacy)	73.2
Color Accuracy Color Rendering Index (CRI)	90
Light Color Correlated Color Temperature (CCT)	5000 (Daylight)
<small>All results are according to IESNA LM-79-2008. Approved Method for the Electrical and Photometric Testing of Solid-State Lighting. The U.S. Department of Energy (DOE) verifies product test data and results.</small>	
<small>Visit <a href="http://www.lightingfacts.com">www.lightingfacts.com</a> for the Label Reference Guide.</small>	
<small>Registration Number: F4QJ-18BXF (8/16/2016) Model Number: LT560WH6950 (Upgrade: 8/16/2016) Type: Luminaire - Downlight</small>	

**Photometric Data**

**LT56 Photometric\***

LT560WH6930		
Luminaire lumens	698	
Input watts	10	
LER (LPW)	69.8	
Spacing Criteria	0-180	1.21
	90-270	1.21
	Diagonal	1.27
Beam angle (degrees)	93.3	
Field angle (degrees)	137.9	
Zonal lumen	Lumens	% Lumens
0-30	253	36.3
0-40	405	58.0
0-60	632	90.6
0-90	698	100.0



\* Tested in accordance with IES LM63. Field results may vary.

## DESCRIPTION

The Halo LT560 is an LED Baffle-Trim Module for 5" and 6" aperture recessed downlights; suitable for new construction, remodel and retrofit installation. The LT560 is cULus Listed for use with Halo and All-Pro, and is UL Classified for use with other compatible 5" and 6" housings. Precision construction makes any housing AIR-TITE for added HVAC savings and code compliance.

Catalog #		Type	
Project		Date	
Comments			
Prepared by			

## SPECIFICATION FEATURES

### MECHANICAL

#### Module - Trim

- Module construction includes LED, heat sink, reflector, lens, baffle and trim ring

#### Lens

- Regressed lens
- Impact-resistant polycarbonate
- Convex form for lamp-like appearance
- Diffusing for even illumination

#### Mounting

- Torsion springs are pre-installed and adjust to fit 5" and 6" compatible housings

#### Housing Compatibility

See Housing Compatibility

#### LED

- Color Temperature (CCT)  
Options: 2700K, 3000K, 3500K, 4000K, 5000K
- CRI: 90  
- 90 CRI can be used for California Title 24 compliance/certified to Title 20

#### LED Chromaticity

- A tight chromaticity specification ensures LED color uniformity, sustainable Color Rendering Index (CRI) and Correlated Color Temperature (CCT) over the useful life of the LED
- LED chromaticity of 3 SDCM exceeds ENERGY STAR® color standards per ANSI C78.377- 2011
- High color performance with R9 greater than 50
- Halo LED serialized testing and measurement ensures color and lumen consistency on a per-unit basis, and validates long-term product consistency over time

## ELECTRICAL

### Power Connections

- LED connector is a non-screw base luminaire disconnect offering easy installation with the matching Halo 5" and 6" LED

housings

- LED Connector meets California Title-24 high efficacy luminaire requirement for a non-screw base socket, and where required to qualify as a high efficacy luminaire
- The included E26 medium screw-base Edison adapter provides easy retrofit of incandescent housings (see Housing Compatibility)

#### Ground Connection

Separate grounding cable included on the module for attachment to the housing during installation

#### LED Driver

- 120V 50/60 Hz constant current dimmable driver provides high-efficiency operation
- If dimming is not required the fixture can be operated from a standard wall switch

#### Dimming

- Designed for continuous dimming capability to nominally 10% with many 120V Leading Edge (LE) and Trailing Edge (TE) Phase Control dimmers. (Dimmers with low end trim adjustment offer greater assurance of achieving 10% level.)
- Consult dimmer manufacturer for compatibility and conditions of use

**Note:** some dimmers require a neutral in the wallbox.

#### Warranty

Five-year limited warranty.

#### Compliance Labels

- UL/cUL Listed 1598 Luminaire (with listed housings)
- UL Classified (with other housings - see Housing Compatibility)
- UL/cUL Listed for Damp Location
- UL/cUL Listed for Wet Location covered ceiling – Shower Applications

- IP56 Ingress Protection rated
- May be installed in housings in direct contact with insulation\*\* and combustible material

## COMPLIANCE

- Airtight certified per ASTM-E283-04 (not exceeding 2.0 CFM under 75 Pascals pressure difference)
- Can be used to comply with California Title 24 High Efficacy requirements. Certified to California Title 20 Appliance Efficiency Database.\*
- Can be used for International Energy Conservation Code (IECC) high efficiency luminaire compliance.
- ENERGY STAR® Certified luminaire - consult ENERGY STAR® Certified Product List\*
- EMI/RFI per FCC 47CFR Part 15 Class B Consumer limits, suitable for use in residential and commercial installations
- Contains no mercury or lead and RoHS compliant.
- Photometric testing in accordance with IES LM-79
- Lumen maintenance projections in accordance with IES LM-80 and TM-21
- Can be used in closets. Compliant with NFPA 70, NEC section 410.16 (A)(1) and 410.16 (C)(3).



## LT560

### 600 Series 5/6-Inch LED Recessed Retrofit Module-Trim

**90CRI  
2700K, 3000K, 3500K,  
4000K, 5000K**

**FOR USE IN  
INSULATED CEILING  
AND NON- INSULATED  
CEILING RATED  
HOUSINGS**

**HIGH-EFFICACY LED  
WITH INTEGRAL  
DRIVER - DIMMABLE**

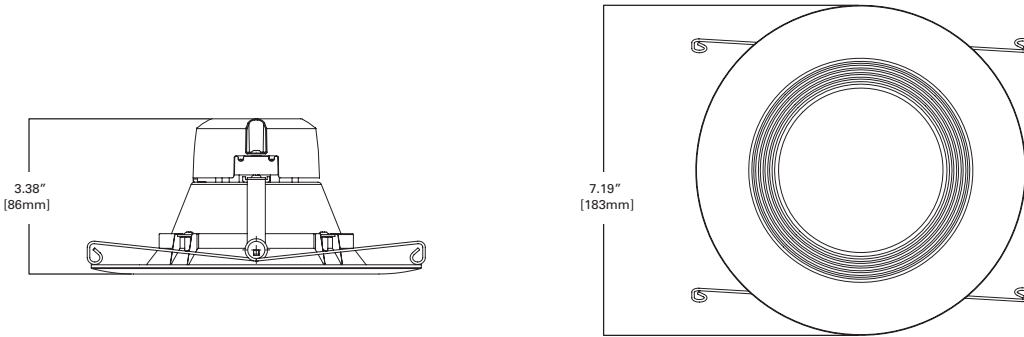
## ENERGY DATA

LT56 Series (Values at non-dimming line voltage)	
Input Voltage	120 VAC
Input Current	0.085A - 0.089A (per input power)
Input Power	LT560WH6927 10.0 W
	LT560WH6930 10.0 W
	LT560WH6935 10.0 W
	LT560WH6940 10.4 W
	LT560WH6950 10.3 W
THD	≤ 24%
PF	≥ 0.90
T Ambient	-30°C to +40°C
Sound Rating	Class A
(all values at 25°C without a dimming control in circuit)	



Refer to ENERGY STAR® Certified Products List.  
Can be used to comply with California Title 24 High Efficacy requirements.  
Certified to California Title 20 Appliance Efficiency Database.

**DIMENSIONS**



**ORDERING INFORMATION**

**SAMPLE NUMBER:** LT560WH6930  
 Complete unit includes an LT560 Baffle-Trim LED module and a 5" or 6" compatible housing ordered separately.

Models	Accessory (Order Separately)
<p><b>LT560WH6927</b>= 5"/6" Retrofit Baffle - Trim LED Module, 90 CRI, 2700K, Matte White  <b>LT560WH6930</b>= 5"/6" Retrofit Baffle - Trim LED Module, 90 CRI, 3000K, Matte White  <b>LT560WH6935</b>= 5"/6" Retrofit Baffle - Trim LED Module, 90 CRI, 3500K, Matte White  <b>LT560WH6940</b>= 5"/6" Retrofit Baffle - Trim LED Module, 90 CRI, 4000K, Matte White  <b>LT560WH6950</b>= 5"/6" Retrofit Baffle - Trim LED Module, 90 CRI, 5000K, Matte White</p>	<p><b>HE26LED</b>=Replacement screw base adapter (one included with unit)</p>  <p>E26 Screw base adapter for retrofit (included)</p>

**HOUSING COMPATIBILITY**

**Compatible Halo LED Housings with LED luminaire connector (high-efficiency compliant)**

HALO LED	Recessed Can Size	Catalog Number
	5"	H550ICAT, H550RICAT
6"	H750ICAT, H750RICAT, H750T, H750TCP, H2750ICAT, H2750RICAT	

**Halo LED Retrofit Enclosures**

HALO	6"	ML7BXRFK, ML7E26RFK
------	----	---------------------

**Compatible Halo Incandescent E26 Screwbase Housings**

HALO	5"	H5ICAT, H5ICATNB, H5RICAT, H5T, H5TNB, H5RT, H5TM, H25ICAT, H25ICATNB, E5ICAT, E5ICATNB, E5RICAT, E5TAT, E5TATNB, E5RTAT
	6"	H7ICAT, H7RICAT, H7ICT, H7RICT, H7ICATNB, H7ICTNB, H7T, H7RT, H7TNB, H7TCP, H7UICAT, H7UICATNB, H27ICAT, H27RICAT, H27ICT, H27RICT, H27T, H27RT, E7ICAT, E7RICAT, E7ICATNB, E27ICAT, E27RICAT, E7TAT, E7RTAT

**Compatible All-Pro Incandescent E26 Screwbase Housings**

ALL-PRO	5"	EI500AT, EI500RAT, ET500, ET500R
	6"	EI700AT, EI700RAT, EI700, EI700R, EI700ATNB, EI700NB, EI700U, EI700UAT, ET700, ET700R, EI2700AT, EI2700, EI2700R, ET2700, ET2700R

**LT56 Series LED Retrofit is UL Classified for retrofit in the following 5/6" recessed housings:**

The LT Series LED light module - trim combination is cULus Listed or UL Classified for use with any 5"/6" diameter recessed housing constructed of steel or aluminum with an internal volume that exceeds 107.9 in<sup>3</sup> in addition to those noted above.

**Product Specifications**

**LT560WH6927 - 90 CRI**

<b>LED lighting facts</b> A Program of the U.S. DOE	
Light Output (Lumens)	700
Watts	10
Lumens per Watt (Efficacy)	70
Color Accuracy Color Rendering Index (CRI)	90
Light Color Correlated Color Temperature (CCT)	2700 (Warm White)
<small>All results are according to IESNA LM-79-2008. Approved Method for the Electrical and Photometric Testing of Solid-State Lighting. The U.S. Department of Energy (DOE) verifies product test data and results.</small>	
<small>Visit <a href="http://www.lightingfacts.com">www.lightingfacts.com</a> for the Label Reference Guide.</small>	
<small>Registration Number: F4QJ-BAY23A (1/12/2016) Model Number: LT560WH6927 Type: Luminaire - Downlight</small>	

**LT560WH6930 - 90 CRI**

<b>LED lighting facts</b> A Program of the U.S. DOE	
Light Output (Lumens)	683
Watts	10
Lumens per Watt (Efficacy)	68.3
Color Accuracy Color Rendering Index (CRI)	90
Light Color Correlated Color Temperature (CCT)	3000 (Bright White)
<small>All results are according to IESNA LM-79-2008. Approved Method for the Electrical and Photometric Testing of Solid-State Lighting. The U.S. Department of Energy (DOE) verifies product test data and results.</small>	
<small>Visit <a href="http://www.lightingfacts.com">www.lightingfacts.com</a> for the Label Reference Guide.</small>	
<small>Registration Number: F4QJ-XBLKSH (8/16/2016) Model Number: LT560WH6930 (Upgrade: 8/16/2016) Type: Luminaire - Downlight</small>	

**LT560WH6935 - 90 CRI**

<b>LED lighting facts</b> A Program of the U.S. DOE	
Light Output (Lumens)	697
Watts	10
Lumens per Watt (Efficacy)	69.7
Color Accuracy Color Rendering Index (CRI)	90
Light Color Correlated Color Temperature (CCT)	3500 (Bright White)
<small>All results are according to IESNA LM-79-2008. Approved Method for the Electrical and Photometric Testing of Solid-State Lighting. The U.S. Department of Energy (DOE) verifies product test data and results.</small>	
<small>Visit <a href="http://www.lightingfacts.com">www.lightingfacts.com</a> for the Label Reference Guide.</small>	
<small>Registration Number: F4QJ-6Q8R24 (8/16/2016) Model Number: LT560WH6935 (Upgrade: 8/16/2016) Type: Luminaire - Downlight</small>	

**LT560WH6940 - 90 CRI**

<b>LED lighting facts</b> A Program of the U.S. DOE	
Light Output (Lumens)	737
Watts	10.4
Lumens per Watt (Efficacy)	70.87
Color Accuracy Color Rendering Index (CRI)	90
Light Color Correlated Color Temperature (CCT)	4000 (Bright White)
<small>All results are according to IESNA LM-79-2008. Approved Method for the Electrical and Photometric Testing of Solid-State Lighting. The U.S. Department of Energy (DOE) verifies product test data and results.</small>	
<small>Visit <a href="http://www.lightingfacts.com">www.lightingfacts.com</a> for the Label Reference Guide.</small>	
<small>Registration Number: F4QJ-TTC6MG (1/2/2016) Model Number: LT560WH6940 Type: Luminaire - Downlight</small>	

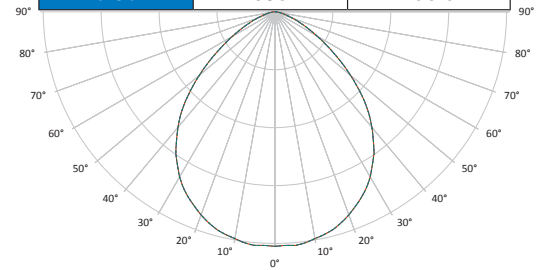
**LT560WH6950 - 90 CRI**

<b>LED lighting facts</b> A Program of the U.S. DOE	
Light Output (Lumens)	754
Watts	10.3
Lumens per Watt (Efficacy)	73.2
Color Accuracy Color Rendering Index (CRI)	90
Light Color Correlated Color Temperature (CCT)	5000 (Daylight)
<small>All results are according to IESNA LM-79-2008. Approved Method for the Electrical and Photometric Testing of Solid-State Lighting. The U.S. Department of Energy (DOE) verifies product test data and results.</small>	
<small>Visit <a href="http://www.lightingfacts.com">www.lightingfacts.com</a> for the Label Reference Guide.</small>	
<small>Registration Number: F4QJ-18BXF (8/16/2016) Model Number: LT560WH6950 (Upgrade: 8/16/2016) Type: Luminaire - Downlight</small>	

**Photometric Data**

**LT56 Photometric\***

LT560WH6930		
Luminaire lumens	698	
Input watts	10	
LER (LPW)	69.8	
Spacing Criteria	0-180	1.21
	90-270	1.21
	Diagonal	1.27
Beam angle (degrees)	93.3	
Field angle (degrees)	137.9	
Zonal lumen	Lumens	% Lumens
0-30	253	36.3
0-40	405	58.0
0-60	632	90.6
0-90	698	100.0



\* Tested in accordance with IES LM63. Field results may vary.