



LED Area light

Premium Series

ASD LSB2 Shoeboxes are DLC Premium rated fixtures, they are highly efficient using up to 80% less electricity than metal halide or high pressure sodium units. Optional twist-lock photocells can also be incorporated to reduce yearly energy consumption. Various mounting options are also available. These are ideal for both retrofits and new construction. Our assortment of brackets allow the user to mount directly to preexisting poles or bullhorns but also to walls and roofs. The Type III distribution delivers broad lighting coverage ideal for parking lots. Lenses can be changed for type IV and V Distribution.

FEATURES AND BENEFITS:

- ▶ Easy to install, wire and mount
- ▶ Lightweight die-cast aluminum housing
- ▶ Instant start with no noise or flickering
- ▶ Beam angle: Type III (158°x100°) - Optional lenses allowing Type IV & Type V distribution patterns are available
- ▶ Operating temperature of -40°F to 122°F
- ▶ Wet location IP66
- ▶ L-70 Life > 54,000 hrs
- ▶ cULus certified
- ▶ DesignLights Consortium (DLC) listed (Classification: Premium)
- ▶ 5 Year warranty

Catalog number	
Notes	
Type	



PRODUCT LEGEND:

Family	Modification	Voltage	Watts	Dimmable	CCT	Finish	Options	Series
ASD-LSB	2	XX	XX	D	XX	X	XX	PRM
LED Area light		Blank = 120-277 V HV = 200-480 V	60 = 60 W; 100 = 100 W 150 = 150 W; 185 = 185 W 240 = 240 W; 300 = 300 W 400 = 400 W; 500 = 500 W	Dimmable	3,000 K 5,000 K	B = Bronze	PC = Photocell	Premium

LED AREA LIGHT:

Model	Watts	Dimmable	Photocell	CCT	Lumens	Dimensions (LxWxH)	Cord
ASD-LSB2-60D50B-PRM	60 W	Yes	-	5,000 K	8,401 lm	16 7/8" x 11 7/8" x 4 1/8"	3 ft
ASD-LSB2-100D30B-PRM	100 W	Yes	-	3,000 K	12,733 lm	16 7/8" x 11 7/8" x 4 1/8"	3 ft
ASD-LSB2-100D50B-PRM	100 W	Yes	-	5,000 K	13,277 lm	16 7/8" x 11 7/8" x 4 1/8"	3 ft
ASD-LSB2-150D30B-PRM	150 W	Yes	-	3,000 K	18,960 lm	16 7/8" x 11 7/8" x 4 1/8"	3 ft
ASD-LSB2-150D50B-PRM	150 W	Yes	-	5,000 K	19,972 lm	16 7/8" x 11 7/8" x 4 1/8"	3 ft
ASD-LSB2-185D30B-PRM	185 W	Yes	-	3,000 K	23,126 lm	16 7/8" x 11 7/8" x 4 1/8"	3 ft
ASD-LSB2-185D50B-PRM	185 W	Yes	-	5,000 K	24,087 lm	16 7/8" x 11 7/8" x 4 1/8"	3 ft
ASD-LSB2-240D50B-PRM	240 W	Yes	-	5,000 K	31,290 lm	23 1/4" x 11 7/8" x 4 1/8"	3 ft
ASD-LSB2-300D30B-PRM	300 W	Yes	-	3,000 K	37,632 lm	23 1/4" x 11 7/8" x 4 1/8"	3 ft
ASD-LSB2-300D50B-PRM	300 W	Yes	-	5,000 K	39,302 lm	23 1/4" x 11 7/8" x 4 1/8"	3 ft
ASD-LSB2-400D50B-PRM	400 W	Yes	-	5,000 K	52,913 lm	30 1/4" x 13 1/2" x 4 3/4"	3 ft
ASD-LSB2-500D50B-PRM	500 W	Yes	-	5,000 K	65,293 lm	30 1/4" x 13 1/2" x 4 3/4"	3 ft
ASD-LSB2-100D50B-PC-PRM	100 W	Yes	Yes	5,000 K	13,277 lm	16 7/8" x 11 7/8" x 6 13/16"	3 ft
ASD-LSB2-150D50B-PC-PRM	150 W	Yes	Yes	5,000 K	19,972 lm	16 7/8" x 11 7/8" x 6 13/16"	3 ft
ASD-LSB2-185D50B-PC-PRM	185 W	Yes	Yes	5,000 K	24,087 lm	16 7/8" x 11 7/8" x 6 13/16"	3 ft
ASD-LSB2-300D50B-PC-PRM	300 W	Yes	Yes	5,000 K	39,302 lm	23 1/4" x 11 7/8" x 6 13/16"	3 ft
ASD-LSB2HV-100D50B-PRM	100 W	Yes	-	5,000 K	13,185 lm	16 7/8" x 11 7/8" x 4 1/8"	3 ft
ASD-LSB2HV-150D50B-PRM	150 W	Yes	-	5,000 K	19,701 lm	16 7/8" x 11 7/8" x 4 1/8"	3 ft
ASD-LSB2HV-185D50B-PRM	185 W	Yes	-	5,000 K	24,002 lm	16 7/8" x 11 7/8" x 4 1/8"	3 ft
ASD-LSB2HV-240D50B-PRM	240 W	Yes	-	5,000 K	31,102 lm	23 1/4" x 11 7/8" x 4 1/8"	3 ft
ASD-LSB2HV-300D50B-PRM	300 W	Yes	-	5,000 K	42,616 lm	23 1/4" x 11 7/8" x 4 1/8"	3 ft
ASD-LSB2HV-400D50B-PRM	400 W	Yes	-	5,000 K	56,865 lm	30 1/4" x 13 1/2" x 4 3/4"	3 ft
ASD-LSB2HV-500D50B-PRM	500 W	Yes	-	5,000 K	69,582 lm	30 1/4" x 13 1/2" x 4 3/4"	3 ft
ASD-LSB2HV-150D50B-PC-PRM	150 W	Yes	Yes	5,000 K	19,701 lm	16 7/8" x 11 7/8" x 6 13/16"	3 ft
ASD-LSB2HV-185D50B-PC-PRM	185 W	Yes	Yes	5,000 K	24,002 lm	16 7/8" x 11 7/8" x 6 13/16"	3 ft
ASD-LSB2HV-300D50B-PC-PRM	300 W	Yes	Yes	5,000 K	42,616 lm	23 1/4" x 11 7/8" x 6 13/16"	3 ft

DIMMING COMPATIBLE CONTROLS:

Brand	Models			
Leviton	ZS057-00Z	IP710	DS710	DD710
Lutron	DVTV	DVSTV	NTSTV	MS-Z101

For most up-to-date spec sheets please refer to asd-lighting.com

ASD LIGHTING CORP

E-mail: orders@asd-lighting.com | Web site: www.asd-lighting.com





LED Area light

Premium Series

PRODUCT SPECIFICATIONS:


Construction & Materials						
Lens	Polycarbonate					
Reflector	Die-Casting Aluminium					
Housing	Die-Casting Aluminium					
Finish	Bronze					
Weight	ASD-LSB2-60D50B-PRM	7.8 lb (3.6 kg)	ASD-LSB2-300D50B-PRM	15.1 lb (6.9 kg)	ASD-LSB2HV-185D50B-PRM	9.2 lb (4.2 kg)
	ASD-LSB2-100D30B-PRM	8.4 lb (3.8 kg)	ASD-LSB2-400D50B-PRM	24.3 lb (11 kg)	ASD-LSB2HV-240D50B-PRM	15.1 lb (6.9 kg)
	ASD-LSB2-100D50B-PRM		ASD-LSB2-500D50B-PRM		ASD-LSB2HV-300D50B-PRM	16.3 lb (7.4 kg)
	ASD-LSB2-150D30B-PRM		ASD-LSB2-100D50B-PC-PRM	8.8 lb (4 kg)	ASD-LSB2HV-400D50B-PRM	24.3 lb (11 kg)
	ASD-LSB2-150D50B-PRM		ASD-LSB2-150D50B-PC-PRM		ASD-LSB2HV-500D50B-PRM	
	ASD-LSB2-185D30B-PRM		ASD-LSB2-185D50B-PC-PRM		ASD-LSB2HV-150D50B-PC-PRM	9.4 lb (4.3 kg)
	ASD-LSB2-185D50B-PRM		ASD-LSB2-300D50B-PC-PRM	15.5 lb (7 kg)	ASD-LSB2HV-185D50B-PC-PRM	
	ASD-LSB2-240D50B-PRM		ASD-LSB2HV-100D50B-PRM	8.8 lb (4.0 kg)	ASD-LSB2HV-185D50B-PC-PRM	
	ASD-LSB2-240D50B-PC-PRM	15.1 lb (6.9 kg)	ASD-LSB2HV-150D50B-PRM	9.0 lb (4.1 kg)	ASD-LSB2HV-300D50B-PC-PRM	16.8 lb (7.6 kg)
	ASD-LSB2-300D30B-PRM					
Environmental System						
Work Environment	Suitable for Wet Locations, IP66					
Operating Temperature	-40°F to 122°F (-40°C to 50°C)					
L-70 Life	> 54,000 hrs					
Optical System						
Luminous Flux	ASD-LSB2-60D50B-PRM	8,401 lm	ASD-LSB2-300D50B-PRM	39,302 lm	ASD-LSB2HV-185D50B-PRM	24,002 lm
	ASD-LSB2-100D30B-PRM	12,733 lm	ASD-LSB2-400D50B-PRM	52,913 lm	ASD-LSB2HV-240D50B-PRM	31,102 lm
	ASD-LSB2-100D50B-PRM	13,277 lm	ASD-LSB2-500D50B-PRM	65,293 lm	ASD-LSB2HV-300D50B-PRM	42,616 lm
	ASD-LSB2-150D30B-PRM	18,960 lm	ASD-LSB2-100D50B-PC-PRM	13,277 lm	ASD-LSB2HV-400D50B-PRM	56,865 lm
	ASD-LSB2-150D50B-PRM	19,972 lm	ASD-LSB2-150D50B-PC-PRM	19,972 lm	ASD-LSB2HV-500D50B-PRM	69,582 lm
	ASD-LSB2-185D30B-PRM	23,126 lm	ASD-LSB2-185D50B-PC-PRM	24,087 lm	ASD-LSB2HV-150D50B-PC-PRM	19,701 lm
	ASD-LSB2-185D50B-PRM	24,087 lm	ASD-LSB2-300D50B-PC-PRM	39,302 lm	ASD-LSB2HV-185D50B-PC-PRM	24,002 lm
	ASD-LSB2-240D50B-PRM	31,290 lm	ASD-LSB2HV-100D50B-PRM	13,185 lm	ASD-LSB2HV-300D50B-PC-PRM	42,616 lm
	ASD-LSB2-300D30B-PRM	37,632 lm	ASD-LSB2HV-150D50B-PRM	19,701 lm		
	ASD-LSB2-300D30B-PC-PRM					
Color Temperature	3,000 K, 5,000 K					
CRI	>80					
Electrical System						
Input Voltage	Regular Voltage: 120-277V AC 50/60 Hz		High Voltage: 200-480V AC 50/60 Hz			
Max input current	ASD-LSB2-60D50B-PRM	0.9 A	ASD-LSB2-300D50B-PRM	3 A	ASD-LSB2HV-185D50B-PRM	1.1 A
	ASD-LSB2-100D30B-PRM	1.2 A	ASD-LSB2-400D50B-PRM	4 A	ASD-LSB2HV-240D50B-PRM	1.44 A
	ASD-LSB2-100D50B-PRM	1.2 A	ASD-LSB2-500D50B-PRM	4.95 A	ASD-LSB2HV-300D50B-PRM	1.8 A
	ASD-LSB2-150D30B-PRM	1.8 A	ASD-LSB2-100D50B-PC-PRM	1.2 A	ASD-LSB2HV-400D50B-PRM	2.4 A
	ASD-LSB2-150D50B-PRM	1.8 A	ASD-LSB2-150D50B-PC-PRM	1.8 A	ASD-LSB2HV-500D50B-PRM	3 A
	ASD-LSB2-185D30B-PRM	2.4 A	ASD-LSB2-185D50B-PC-PRM	2.4 A	ASD-LSB2HV-150D50B-PC-PRM	0.9 A
	ASD-LSB2-185D50B-PRM	2.4 A	ASD-LSB2-300D50B-PC-PRM	3.0 A	ASD-LSB2HV-185D50B-PC-PRM	1.1 A
	ASD-LSB2-240D50B-PRM	2.8 A	ASD-LSB2HV-100D50B-PRM	0.6 A	ASD-LSB2HV-300D50B-PC-PRM	1.8 A
	ASD-LSB2-300D30B-PRM	3 A	ASD-LSB2HV-150D50B-PRM	0.9 A		
	ASD-LSB2-300D30B-PC-PRM					
Inrush current (Action time)	ASD-LSB2-60D50B-PRM	60 A (0.5 S)	ASD-LSB2-300D50B-PRM	149 A (0.22 S)	ASD-LSB2HV-185D50B-PRM	50 A (0.53 S)
	ASD-LSB2-100D30B-PRM	160 A (0.2 S)	ASD-LSB2-400D50B-PRM	120 A (0.56 S)	ASD-LSB2HV-240D50B-PRM	50 A (0.53 S)
	ASD-LSB2-100D50B-PRM	160 A (0.2 S)	ASD-LSB2-500D50B-PRM	120 A (0.56 S)	ASD-LSB2HV-300D50B-PRM	50 A (0.85 S)
	ASD-LSB2-150D30B-PRM	125 A (0.2 S)	ASD-LSB2-100D50B-PC-PRM	160 A (0.2 S)	ASD-LSB2HV-400D50B-PRM	50 A (0.84 S)
	ASD-LSB2-150D50B-PRM	125 A (0.2 S)	ASD-LSB2-150D50B-PC-PRM	125 A (0.2 S)	ASD-LSB2HV-500D50B-PRM	50 A (0.84 S)
	ASD-LSB2-185D30B-PRM	125 A (0.2 S)	ASD-LSB2-185D50B-PC-PRM	125 A (0.2 S)	ASD-LSB2HV-150D50B-PC-PRM	35 A (0.79 S)
	ASD-LSB2-185D50B-PRM	125 A (0.2 S)	ASD-LSB2-300D50B-PC-PRM	149 A (0.22 S)	ASD-LSB2HV-185D50B-PC-PRM	50 A (0.53 S)
	ASD-LSB2-240D50B-PRM	35 A (0.2 S)	ASD-LSB2HV-100D50B-PRM	25 A (0.9 S)	ASD-LSB2HV-300D50B-PC-PRM	50 A (0.85 S)
	ASD-LSB2-300D30B-PRM	149 A (0.22 S)	ASD-LSB2HV-150D50B-PRM	35 A (0.79 S)		
	ASD-LSB2-300D30B-PC-PRM					
AC input range	Regular Voltage: min 90 V max 305 V		High Voltage: min 180 V max 528 V			
Off State Power	0 W					
Power Consumption	ASD-LSB2-60D50B-PRM	60 W	ASD-LSB2-300D50B-PRM	300 W	ASD-LSB2HV-185D50B-PRM	185 W
	ASD-LSB2-100D30B-PRM	100 W	ASD-LSB2-400D50B-PRM	400 W	ASD-LSB2HV-240D50B-PRM	240 W
	ASD-LSB2-100D50B-PRM	100 W	ASD-LSB2-500D50B-PRM	500 W	ASD-LSB2HV-300D50B-PRM	300 W
	ASD-LSB2-150D30B-PRM	150 W	ASD-LSB2-100D50B-PC-PRM	100 W	ASD-LSB2HV-400D50B-PRM	400 W
	ASD-LSB2-150D50B-PRM	150 W	ASD-LSB2-150D50B-PC-PRM	150 W	ASD-LSB2HV-500D50B-PRM	500 W
	ASD-LSB2-185D30B-PRM	185 W	ASD-LSB2-185D50B-PC-PRM	185 W	ASD-LSB2HV-150D50B-PC-PRM	150 W
	ASD-LSB2-185D50B-PRM	185 W	ASD-LSB2-300D50B-PC-PRM	300 W	ASD-LSB2HV-185D50B-PC-PRM	185 W
	ASD-LSB2-240D50B-PRM	240 W	ASD-LSB2HV-100D50B-PRM	100 W	ASD-LSB2HV-300D50B-PC-PRM	300 W
	ASD-LSB2-300D30B-PRM	300 W	ASD-LSB2HV-150D50B-PRM	150 W		
	ASD-LSB2-300D30B-PC-PRM					
Power Factor	≥ 0.9					
Output voltage	ASD-LSB2-60D50B-PRM	32-58 V	ASD-LSB2-300D50B-PRM	18-54 V	ASD-LSB2HV-185D50B-PRM	48 V
	ASD-LSB2-100D30B-PRM	42-56 V	ASD-LSB2-400D50B-PRM	24-64 V	ASD-LSB2HV-240D50B-PRM	48 V
	ASD-LSB2-100D50B-PRM	42-56 V	ASD-LSB2-500D50B-PRM	24-64 V	ASD-LSB2HV-300D50B-PRM	48 V
	ASD-LSB2-150D30B-PRM	36-56 V	ASD-LSB2-100D50B-PC-PRM	48 V	ASD-LSB2HV-400D50B-PRM	48 V
	ASD-LSB2-150D50B-PRM	36-56 V	ASD-LSB2-150D50B-PC-PRM	48 V	ASD-LSB2HV-500D50B-PRM	48 V
	ASD-LSB2-185D30B-PRM	36-56 V	ASD-LSB2-185D50B-PC-PRM	48 V	ASD-LSB2HV-150D50B-PC-PRM	48 V
	ASD-LSB2-185D50B-PRM	36-56 V	ASD-LSB2-300D50B-PC-PRM	48 V	ASD-LSB2HV-185D50B-PC-PRM	48 V
	ASD-LSB2-240D50B-PRM	36-56 V	ASD-LSB2HV-100D50B-PRM	48 V	ASD-LSB2HV-300D50B-PC-PRM	48 V
	ASD-LSB2-300D30B-PRM	18-54 V	ASD-LSB2HV-150D50B-PRM	48 V		
	ASD-LSB2-300D30B-PC-PRM					
Max output current	ASD-LSB2-60D50B-PRM	1.3 A	ASD-LSB2-300D50B-PRM	6.3 A	ASD-LSB2HV-185D50B-PRM	5 A
	ASD-LSB2-100D30B-PRM	1.72 A	ASD-LSB2-400D50B-PRM	8.4 A	ASD-LSB2HV-240D50B-PRM	5 A
	ASD-LSB2-100D50B-PRM	1.72 A	ASD-LSB2-500D50B-PRM	10.0 A	ASD-LSB2HV-300D50B-PRM	6.7 A
	ASD-LSB2-150D30B-PRM	2.7 A	ASD-LSB2-100D50B-PC-PRM	1.72 A	ASD-LSB2HV-400D50B-PRM	10 A
	ASD-LSB2-150D50B-PRM	2.7 A	ASD-LSB2-150D50B-PC-PRM	2.7 A	ASD-LSB2HV-500D50B-PRM	10 A
	ASD-LSB2-185D30B-PRM	3.6 A	ASD-LSB2-185D50B-PC-PRM	3.6 A	ASD-LSB2HV-150D50B-PC-PRM	3.13 A
	ASD-LSB2-185D50B-PRM	3.6 A	ASD-LSB2-300D50B-PC-PRM	6.3 A	ASD-LSB2HV-185D50B-PC-PRM	5 A
	ASD-LSB2-240D50B-PRM	4.3 A	ASD-LSB2HV-100D50B-PRM	2 A	ASD-LSB2HV-300D50B-PC-PRM	6.7 A
	ASD-LSB2-300D30B-PRM	6.3 A	ASD-LSB2HV-150D50B-PRM	3.13 A		
	ASD-LSB2-300D30B-PC-PRM					

For most up-to-date spec sheets please refer to asd-lighting.com

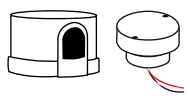
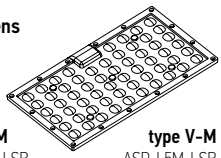
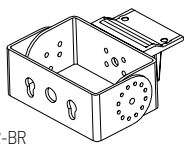
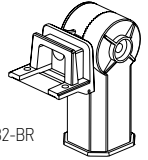
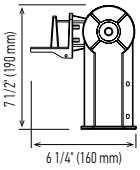
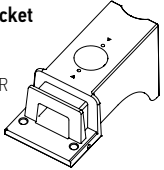
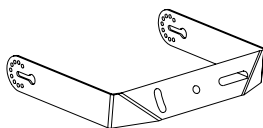
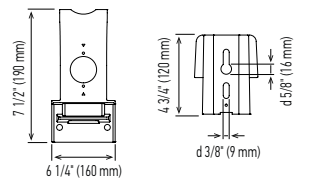
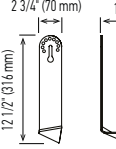
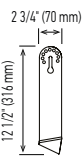
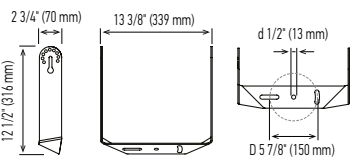


LED Area light

Premium Series

Electrical System											
LED Driver Class	ASD-LSB2-60D50B-PRM	Class 2	ASD-LSB2-300D50B-PRM	Class 1	ASD-LSB2HV-185D50B-PRM	Class 2					
	ASD-LSB2-100D30B-PRM	Class P	ASD-LSB2-400D50B-PRM	Class 1	ASD-LSB2HV-240D50B-PRM	Class 1					
	ASD-LSB2-100D50B-PRM	Class P	ASD-LSB2-500D50B-PRM	Class 1	ASD-LSB2HV-300D50B-PRM	Class 1					
	ASD-LSB2-150D30B-PRM	Class P	ASD-LSB2-100D50B-PC-PRM	Class P,2	ASD-LSB2HV-400D50B-PRM	Class 1					
	ASD-LSB2-150D50B-PRM	Class P	ASD-LSB2-150D50B-PC-PRM	Class P,2	ASD-LSB2HV-500D50B-PRM	Class 1					
	ASD-LSB2-185D30B-PRM	Class P	ASD-LSB2-185D50B-PC-PRM	Class P,2	ASD-LSB2HV-150D50B-PC-PRM	Class 1					
	ASD-LSB2-185D50B-PRM	Class P	ASD-LSB2-300D50B-PC-PRM	Class 1	ASD-LSB2HV-185D50B-PC-PRM	Class 1					
	ASD-LSB2-240D50B-PRM	Class P	ASD-LSB2HV-100D50B-PRM	Class 1	ASD-LSB2HV-300D50B-PC-PRM	Class 1					
ASD-LSB2-300D30B-PRM	Class 1	ASD-LSB2HV-150D50B-PRM	Class 2								
Photocell technical data			Effective Projected Area (EPA) Ratings								
Photocells model	JL-205C	JL-207F	Fixtures qty       Single Double 180° Double 90° Triple 90° Triple 120° Quad 90°	EPA of 60/100/150/185W		0.23	0.46	0.4	0.63	0.73	0.73
Rated Voltage	120-277V AC	200-480V AC		EPA of 240/300W		0.42	0.84	0.72	1.14	1.54	1.54
Rated Frequency	50/60Hz			EPA of 400/500W		0.58	1.16	1	1.58	2.13	2.13
Power Consumption	1.5 VA (W)										
Typical On/Off Level	6 lux ON / 50 lux OFF										
Ambient Temp.	-40°C ~ +70°C										
Related Humidity	99% / 100% [IP67]										
Warranty & Certifications			Lens								
5-year limited warranty			60W, 100W, 150W, 185W		1 lens						
DesignLights Consortium (DLC) listed (Classification: Premium)			240W, 300W		2 lens						
<ul style="list-style-type: none"> · Main: Outdoor Luminaires · General Application: High/Very high output* *Very high output for models Up to 240W · Primary Use: Outdoor Pole/Arm-Mounted Area and Roadway Luminaires 			400W, 500W		3 lens						
cULus certified	E473804										

ACCESSORIES:

Photocell Kit ASD-PC-LSB / ASD-PC-LSBHV 	Clear Lens  type IV-M ASD-L4M-LSB type V-M ASD-L5M-LSB	Wall Mount Bracket  ASD-TRB-LSB2-BR 
Slip Fitter Bracket  ASD-SFB-LSB2-BR 	Arm Mount Bracket for round and square poles ASD-AMB-LSB2-BR  	
Floodlight Mounting Bracket  	for 100-300W ASD-FMB-LSB2-100/300BR for 400-500W ASD-FMB-LSB2-400/500BR 	

For most up-to-date spec sheets please refer to asd-lighting.com

ASD LIGHTING CORP

E-mail: orders@asd-lighting.com | Web site: www.asd-lighting.com





LED Area light

Premium Series

INSTALLATION GUIDE

IMPORTANT SAFETY INFORMATION:

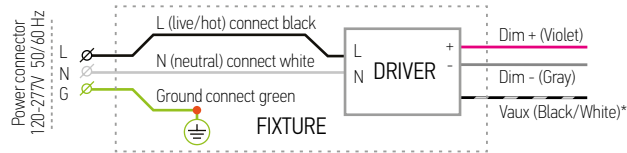
Please read all the instructions below before installation.

- ▶ Make sure that the supply voltage corresponds to the rated product voltage.
- ▶ The product must be installed by a qualified electrician in accordance with the National Electrical Code and corresponding local codes.
- ▶ If the product is damaged, do not use it.

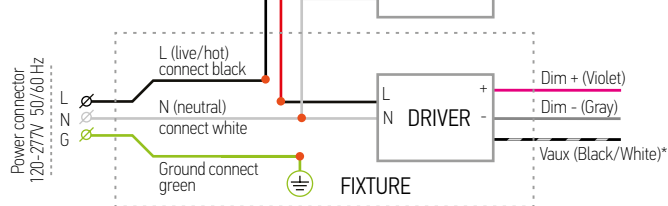
PACKAGE CONTENTS:

Description	Q-ty
LED Area Light Fixture	1
Safety cable (A) for 400W/500W models only	1
Box	1
Installation Instructions	3

ELECTRICAL SCHEMATIC DIAGRAM REGULAR VOLTAGE:



With Photocell



*Vaux cable available only for 300W/400W/500W Regular voltage.

The Vaux (Black/White) 12V output wires is normally vacant. It provides 12V output for external module to achieve smart control or sensor (optional).

PHOTOCELL INSTALLATION STEPS

ASD-PC-LSB/ ASD-PC-LSBHV sold separately

1. Power off before installation. Use a screwdriver to open the driver box (2 screws).
2. Use a screwdriver to take off the circular plate (2 screws)
3. Screw the photocell base on the top of the fixture, pull the wires through the driver box.
4. Connect the wires in accordance to the Photocell Wiring Schematic
5. Firmly place the photocell into the receptacle base and twist it clockwise until it locks into place.

INCLUDED PHOTOCELL

1. Push the photocontroller on and twist it clockwise to lock it into the receptacle.
2. Install the photocontroller with the Photocell facing the NORTH direction as indicated on the top of the photocontroller.
3. Adjust the receptacle position if necessary.

only for models: ASD-LSB2-100D50B-PC-PRM; ASD-LSB2-150D50B-PC-PRM; ASD-LSB2-185D50B-PC-PRM; ASD-LSB2-300D50B-PC-PRM
ASD-LSB2HV-150D50B-PC-PRM; ASD-LSB2HV-185D50B-PC-PRM; ASD-LSB2HV-300D50B-PC-PRM

⚠ WARNING

RISK OF PERSONAL INJURY – READ and follow all WARNINGS and installation instructions.

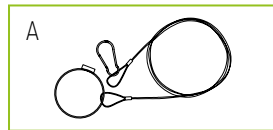
Keep or give to the owner for future reference.

Risk of cuts: Wear gloves to prevent cuts or abrasions when removing from carton, handling, installing, and maintaining this product.

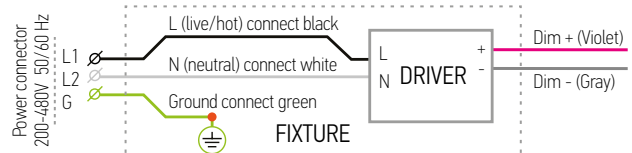
Risk of electric shock: This product must be installed in accordance with the applicable installation code by a person familiar with the construction and operation of the product and the hazards involved.

Risk of Fire: Minimum 194°F supply conductors. Consult a qualified electrician to ensure correct branch circuit conductor.

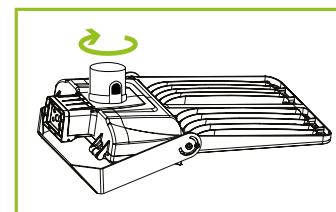
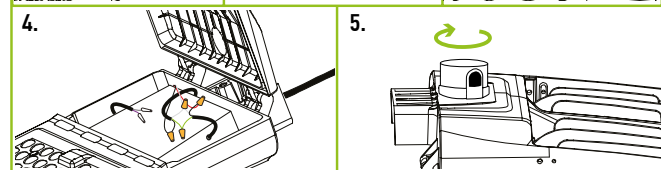
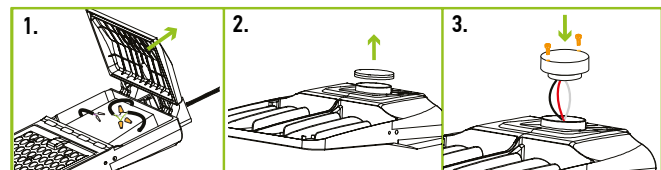
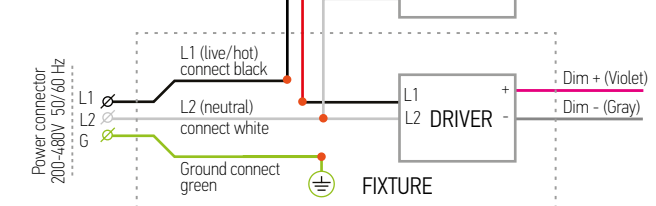
ASD® assumes no responsibility for claims arising out of improper or careless installation or handling of this product.



ELECTRICAL SCHEMATIC DIAGRAM HIGH VOLTAGE:



With Photocell



For most up-to-date spec sheets please refer to asd-lighting.com



LED Area light

Premium Series

SAFETY CABLE INSTALLATION STEPS

1. Attach one end of the included safety cable through the hole between the fins on the luminaire.
2. Ensure the safety cable is secured on the fixture. Secure the other end of the safety cable to the mounting structure/pole.

*Safety cable for 400W/500W models only

BRACKET INSTALLATION STEPS

SLIP FITTER BRACKET (ASD-SFB-LSB2) SOLD SEPARATELY

1. Remove the circular plate from the slip fitter (2 screws).
2. Thread the wire through the slip fitter into the pole. Make AC connections in accordance to wiring diagram.
3. If necessary adjust the fixture angle with the large hex bolt on the side of the slip fitter.

*the wiring is inside the pole, the side was sealed with rubber ring and fixed by screw, water can no going in

ARM MOUNTING BRACKET (ASD-AMB-LSB2) SOLD SEPARATELY

1. Open up the door on the arm bracket (1 screw).
2. Install the mounting arm onto the pole (2 bolts). Make sure the silicone gaskets form a tight seal.
3. Thread the cord from the fixture through the bracket into the pole and tight the 2 pcs M8 screws on the light body.
4. Pass the AC wire through the base and tight the 2 pcs screws on the light body.

FLOODLIGHT MOUNTING BRACKET (ASD-FMB-LSB2) SOLD SEPARATELY

Pole mounting installation

1. Drill holes on the mounting surface corresponding to the holes in the arm. Attach fixture to bracket with 2 screws and bracket to surface with 2 screws.
2. Wire in accordance to the wiring schematic.
3. Seal the connections with the back plate of the fixture. Adjust fixture angle as necessary.

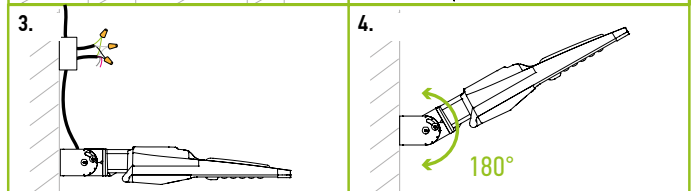
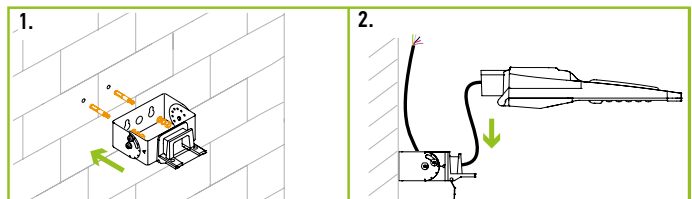
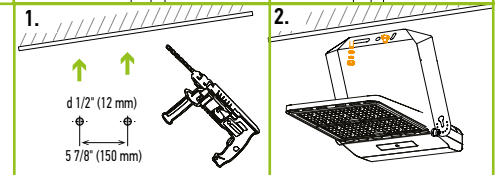
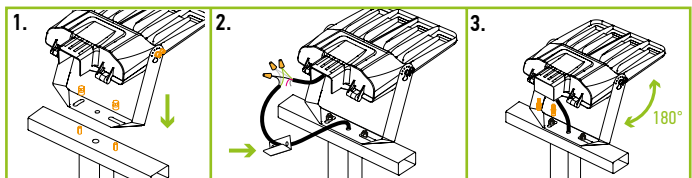
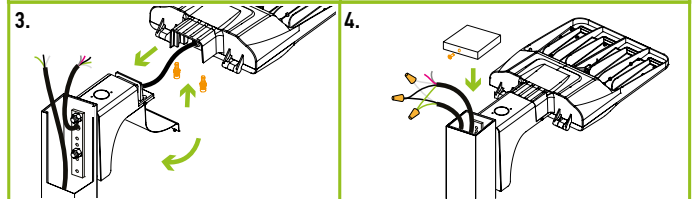
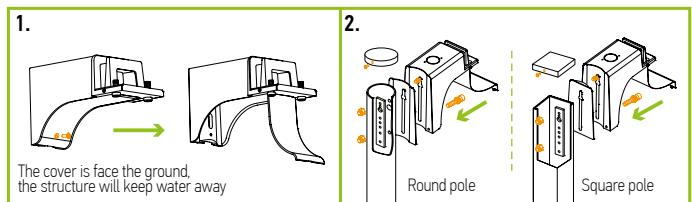
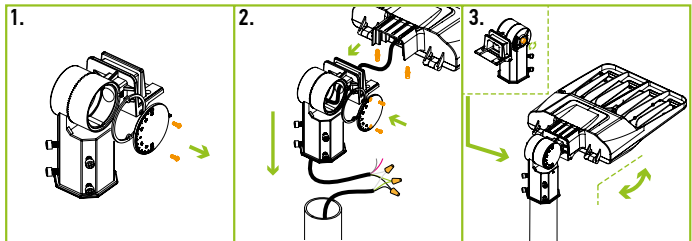
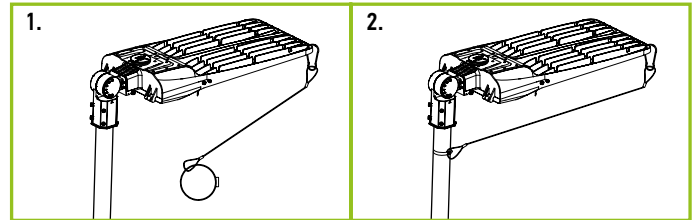
Ceiling installation

1. Drill holes on the ceiling corresponding to the holes on the arm.
2. Install the fixture, fix it by screws.

*the wiring will be with mental tube or inside the adaptor, when inside the adaptor, customer will need to paste glue into the terminal

WALL MOUNT BRACKET (ASD-TRB-LSB2) SOLD SEPARATELY

1. Drill holes on the mounting surface, size corresponding to the holes on the arm. Fix the bracket on the wall by screws.
2. Pull wires through mount, secure fixture to the bracket.
3. Wire AC power in water tight junction box accordance to the wiring schematic diagram.
4. Adjust the screw position to get desired angle when necessary.



For most up-to-date spec sheets please refer to asd-lighting.com



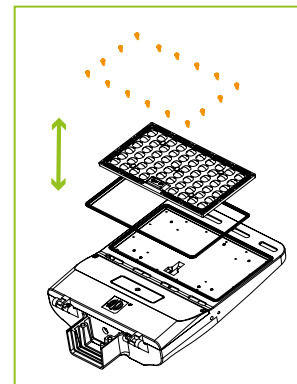
LED Area light

Premium Series

LENS INSTALLATION STEPS

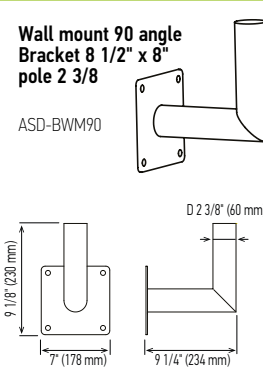
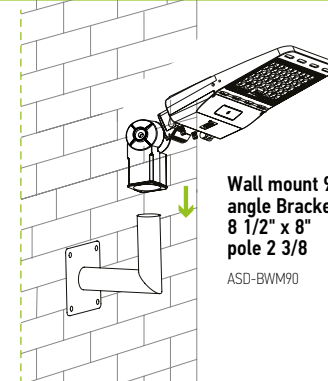
1. Unscrew the 16pcs screw of original lens(T3-M) on the housing;
2. Install the rubber ring on new lens(T4/T5-M, sold separately);
3. Place the lens on the housing and make sure all it fit the LEDs correctly;
4. Tight the 16pcs screw back

Lens	
60W, 100W, 150W, 185W	1 lens
240W, 300W	2 lens
400W, 500W	3 lens

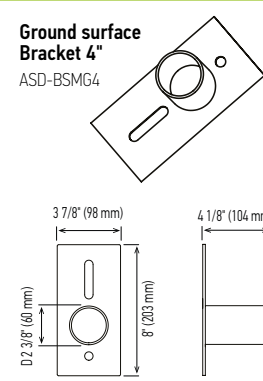
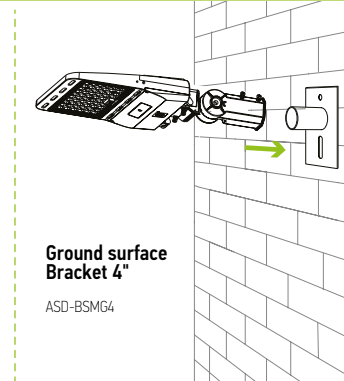


SLIP FITTER BRACKET ADAPTORS FOR POLE MOUNT INSTALLATION:

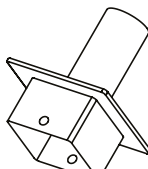
Wall mount 90 angle Bracket 8 1/2" x 8" pole 2 3/8
ASD-BWM90

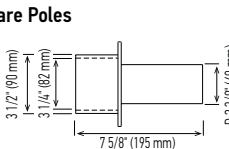
Ground surface Bracket 4"
ASD-BSMG4

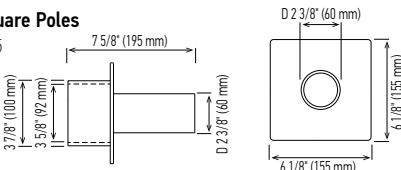



Tenon Adaptor 2-3/8" For Square Poles

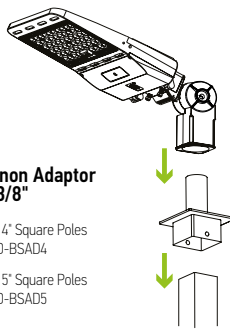


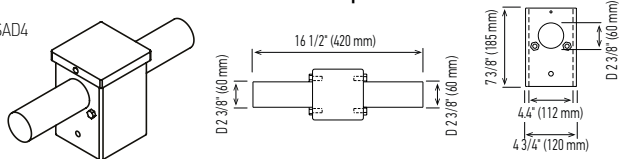
for 4" Square Poles
ASD-BSAD4

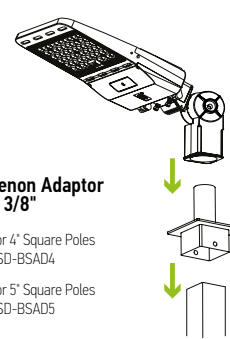




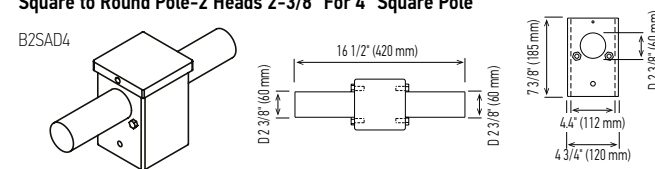
for 5" Square Poles
ASD-BSAD5



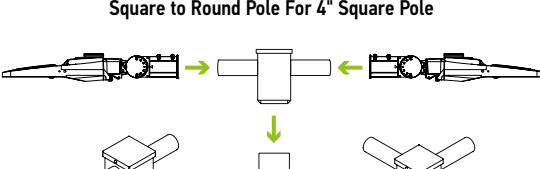




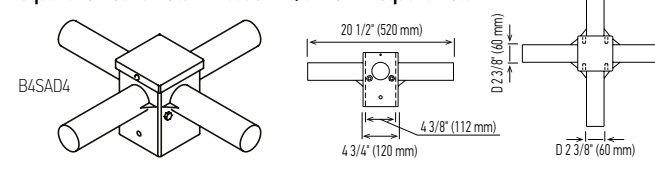
Square to Round Pole-2 Heads 2-3/8" For 4" Square Pole
B2SAD4



Square to Round Pole For 4" Square Pole



Square to Round Pole-4 Heads 2-3/8" For 4" Square Pole
B4SAD4



2 Heads 2-3/8"
ASD-B2SAD4

4 Heads 2-3/8"
ASD-B4SAD4

For most up-to-date spec sheets please refer to asd-lighting.com

ASD LIGHTING CORP

E-mail: orders@asd-lighting.com | Web site: www.asd-lighting.com





LED Area light

Premium Series

ORDERING INFORMATION

Model	Watts	CCT	UPC	Pcs in one Carton	Carton Size	Carton Weight
ASD-LSB2-60D50B-PRM	60 W	5,000 K	819201026920	1	18.0" x 13.4" x 6.5"	9.7 lbs
ASD-LSB2-100D30B-PRM	100 W	3,000 K	810050730181	1	18.0" x 13.4" x 6.5"	10.3 lbs
ASD-LSB2-100D50B-PRM	100 W	5,000 K	819201026449	1	18.0" x 13.4" x 6.5"	10.3 lbs
ASD-LSB2-150D30B-PRM	150 W	3,000 K	810050730198	1	18.0" x 13.4" x 6.5"	10.3 lbs
ASD-LSB2-150D50B-PRM	150 W	5,000 K	819201026456	1	18.0" x 13.4" x 6.5"	10.3 lbs
ASD-LSB2-185D30B-PRM	185 W	3,000 K	810050730204	1	18.0" x 13.4" x 6.5"	10.3 lbs
ASD-LSB2-185D50B-PRM	185 W	5,000 K	819201026463	1	18.0" x 13.4" x 6.5"	10.3 lbs
ASD-LSB2-240D50B-PRM	240 W	5,000 K	819201026470	1	24.5" x 13.4" x 6.5"	17.2 lbs
ASD-LSB2-300D30B-PRM	300 W	3,000 K	810050730211	1	24.5" x 13.4" x 6.5"	17.2 lbs
ASD-LSB2-300D50B-PRM	300 W	5,000 K	819201026487	1	24.5" x 13.4" x 6.5"	17.2 lbs
ASD-LSB2-400D50B-PRM	400 W	5,000 K	819201026494	1	31.6" x 15.6" x 7.1"	26.7 lbs
ASD-LSB2-500D50B-PRM	500 W	5,000 K	819201026517	1	31.6" x 15.6" x 7.1"	26.7 lbs
ASD-LSB2-100D50B-PC-PRM	100 W	5,000 K	819201027415	1	18.0" x 13.4" x 6.5"	10.7 lbs
ASD-LSB2-150D50B-PC-PRM	150 W	5,000 K	819201027422	1	18.0" x 13.4" x 6.5"	10.7 lbs
ASD-LSB2-185D50B-PC-PRM	185 W	5,000 K	819201027439	1	18.0" x 13.4" x 6.5"	10.7 lbs
ASD-LSB2-300D50B-PC-PRM	300 W	5,000 K	819201027446	1	24.5" x 13.4" x 6.5"	17.6 lbs
ASD-LSB2HV-100D50B-PRM	100 W	5,000 K	810050730358	1	18.0" x 13.4" x 6.5"	11.1 lbs
ASD-LSB2HV-150D50B-PRM	150 W	5,000 K	819201027392	1	18.0" x 13.4" x 6.5"	11.1 lbs
ASD-LSB2HV-185D50B-PRM	185 W	5,000 K	819201027408	1	18.0" x 13.4" x 6.5"	11.1 lbs
ASD-LSB2HV-240D50B-PRM	240 W	5,000 K	810050730228	1	24.5" x 13.4" x 6.5"	17.2 lbs
ASD-LSB2HV-300D50B-PRM	300 W	5,000 K	819201026821	1	24.5" x 13.4" x 6.5"	18.6 lbs
ASD-LSB2HV-400D50B-PRM	400 W	5,000 K	819201026838	1	31.6" x 15.6" x 7.1"	26.7 lbs
ASD-LSB2HV-500D50B-PRM	500 W	5,000 K	819201026845	1	31.6" x 15.6" x 7.1"	26.7 lbs
ASD-LSB2HV-150D50B-PC-PRM	150 W	5,000 K	819201027453	1	18.0" x 13.4" x 6.5"	11.3 lbs
ASD-LSB2HV-185D50B-PC-PRM	185 W	5,000 K	819201027460	1	18.0" x 13.4" x 6.5"	11.4 lbs
ASD-LSB2HV-300D50B-PC-PRM	300 W	5,000 K	819201027477	1	24.5" x 13.4" x 6.5"	18.8 lbs

ACCESSORIES FOR LED AREA LIGHT:

Model	Name	Materials	Weight	Dimensions	
ASD-SFB-LSB2-BR	Slip fitter Mounting Bracket	Aluminium	3 lb (1.36 kg)	7 1/2" x 6 1/4" x 3 1/2"	
ASD-AMB-LSB2-BR	Arm Mounting Bracket	Aluminium	1.87 lb (0.85 kg)	7 7/8" x 3 3/4" x 4 3/4"	
ASD-TRB-LSB2-BR	Full Trunnion Mounting Bracket	Steel	3.57 lb (1.62 kg)	7 3/8" x 6 5/8" x 2 3/4"	
ASD-FMB-LSB2-100/300BR	Floodlight Mounting Bracket for 100-300W LED Area Lights	Steel	2.49 lb (1.13 kg)	12 3/8" x 12 1/4" x 2 3/8"	
ASD-FMB-LSB2-400/500BR	Floodlight Mounting Bracket for 400-500W LED Area Lights	Steel	4.32 lb (1.96 kg)	12 1/2" x 13 3/8" x 2 3/4"	
ASD-PC-LSB	Photocell & Base Kit	PC	0.44 lb (0.2 kg)	3 3/8" x 3 3/8" x 2 5/8"	
ASD-PC-LSBHV	Photocell & Base Kit for High Voltage	PC	0.44 lb (0.2 kg)	3 3/8" x 3 3/8" x 2 5/8"	
JL-205C	Photocell	PC	0.44 lb (0.2 kg)	3 3/8" x 2 5/8"	
JL-207F	Photocell for High Voltage	PC	0.44 lb (0.2 kg)	3 3/8" x 2 5/8"	
ASD-L4M-LSB	Clear Lens Type IV-M	PC	0.5 lb (0.2 kg)	11" x 6" x 1/4"	
ASD-L5M-LSB	Clear Lens Type V-M	PC	0.5 lb (0.2 kg)	11" x 6" x 1/4"	
Model	Pcs in one Carton	Carton Size	Carton Weight	UPC	GTIN 14
ASD-SFB-LSB2-BR	10	18.9" x 9.1" x 11.8"	31.7 lb	819201026524	10819201026521
ASD-AMB-LSB2-BR	20	20.3" x 17.7" x 10.4"	40.8 lb	819201026548	10819201026545
ASD-TRB-LSB2-BR	10	16.1" x 15.7" x 8.7"	37.5 lb	819201026555	10819201026552
ASD-FMB-LSB2-100/300BR	10	28.1" x 14.2" x 13.8"	27 lb	819201026579	10819201026576
ASD-FMB-LSB2-400/500BR	5	15.4" x 14.8" x 14.2"	24.3 lb	819201026586	10819201026583
ASD-PC-LSB	24	23.2" x 15.7" x 6.3"	13.1 lb	819201023622	10819201023629
ASD-PC-LSBHV	24	23.2" x 15.7" x 6.3"	13.1 lb	819201021291	10819201021298
JL-205C	48	23.2" x 15.7" x 6.3"	23.8 lbs	819201022144	10819201022141
JL-207F	48	23.2" x 15.7" x 6.3"	23.8 lbs	819201022144	10819201022141
ASD-L4M-LSB	50	23.2" x 15.8" x 6.3"	28.7 lb	819201023844	10819201023841
ASD-L5M-LSB	50	23.2" x 15.8" x 6.3"	28.7 lb	819201023851	10819201023858

SLIP FITTER BRACKET ADAPTORS FOR POLE MOUNT:

Model	Name	Materials	Weight	Dimensions	
ASD-BWM90	Wall mount 90 angle Bracket 8 1/2" x 8" pole 2 3/8"	Steel	4.54 lb (2.06 kg)	7" x 7" x 9"	
ASD-BSMG4	Ground surface Bracket 4"	Steel	1.9 lb (0.86 kg)	8" x 3 7/8" x 4"	
ASD-BSAD4	Tenon Adaptor 2-3/8" For 4" Square Poles	Steel	4.41 lb (2 kg)	7 5/8" x 5 1/8" x 5 1/8"	
ASD-BSAD5	Tenon Adaptor 2-3/8" For 5" Square Poles	Steel	5.07 lb (2.3 kg)	7 5/8" x 6 1/8" x 6 1/8"	
ASD-B2SAD4	Two heads 2-3/8 adaptor for 4" square pole	Steel	9.92 lb (4.5 kg)	16 1/2" x 4 3/4" x 7 3/8"	
ASD-B4SAD4	Four heads 2-3/8 adaptor for 4" square pole	Steel	14.99 lb (6.8 kg)	20 1/2" x 20 1/2" x 7 3/8"	
Model	Pcs in one Carton	Carton Size	Carton Weight	UPC	GTIN 14
ASD-BWM90	5	22.4" x 9.8" x 13"	11.5 lb	819201025213	10819201025210
ASD-BSMG4	10	22" x 9.3" x 4.4"	10 lb	819201025220	10819201025227
ASD-BSAD4	6	16.3" x 11" x 8.7"	28.7 lb	819201025701	10819201025708
ASD-BSAD5	6	19.3" x 13" x 8.7"	32 lb	819201025718	10819201025715
ASD-B2SAD4	2	17.1" x 10.8" x 8.5"	20.9 lb	819201025725	10819201025722
ASD-B4SAD4	2	20.9" x 20.9" x 15.9"	30.9 lb	819201025732	10819201025739

For most up-to-date spec sheets please refer to asd-lighting.com

ASD LIGHTING CORP

E-mail: orders@asd-lighting.com | Web site: www.asd-lighting.com