

SYLVANIA Luminaire

Hi-PerformanceLED™ RT Screw-based Smooth and Baffle Reflector

Application

Ideal for retrofit applications in healthcare, hospitality, office, residential and retail using 4 inch, 5 inch & 6 inch housings.

Benefits and Features

- Lumen Package:
 - RT4 with 500, 600, 650 and 675 lumens
 - RT5/6 with 700, 725, 900 and 1200 lumens
- Complete product mix with all color temperatures available: 2700K, 3000K, 3500K, 4000K and 5000K
- Replacement for up to 100W incandescent lamps
- Integrated white trim, smooth or baffle reflector, socket adaptor, airtight ring (included)
- No warm-up time, instant-on with full light output and consistent lamp to lamp color
- RT5/6 is compatible with 5 inch & 6 inch housings
- Phase-Cut Dimmable
- Available beam angle: 110°

Electrical

- 120V_{AC}

Rated Life

- 50,000 hours (L₇₀)

Warranty

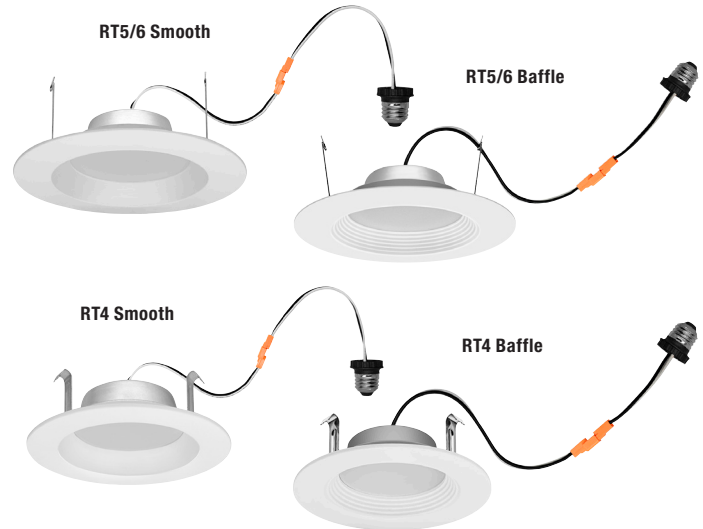
- 5-year
- NLB Trusted Warranty Program

Ambient Operating Range

- -4°F to +104°F (-20°C to +40°C)

Certifications and Listings

- UL
- ENERGY STAR®
- Compliant with CEC Title 20 Efficiency Standards
- CEC Title 24 JA8 Listed (except 5000K)



Wattage Comparison

| Traditional Source | Traditional System Wattage | LED System Wattage | Energy Savings |
|---|----------------------------|--------------------|----------------|
| Smooth Reflector | | | |
| Incandescent | 50W | 9W | 84% |
| Incandescent | 65W | 10W | 84% |
| Incandescent | 75W | 13W | 84% |
| Incandescent | 100W | 16W | 84% |
| Baffle Reflector | | | |
| Incandescent | 65W | 8W | 86% |
| Incandescent | 65W | 8.5W | 86% |
| Incandescent | 75W | 10.5W | 86% |
| Incandescent | 100W | 14W | 86% |
| Smooth and Baffle Reflector (5 CCT Selectable) | | | |
| Incandescent | 55W | 6W | 89% |
| Incandescent | 65W | 8W | 88% |
| Incandescent | 65W | 9W | 86% |
| Incandescent | 75W | 11W | 85% |
| Incandescent | 100W | 14W | 86% |

Specifications and Certifications



Specification Data

| | |
|-------------|------|
| Catalog # | Type |
| Project | |
| Comments | |
| Prepared by | |

Ordering Guide

| LED | RTX | XXXX | 9 | XX | G2 | CEC | WO* |
|-----|--------------|--|---|---|----------------|------------------------|---------------|
| LED | RT4 RT5/6 | Lumens 600, 675, 700, 725, 900, 1200 | CRI 9 = 90 (Smooth) 9 = 92 (Baffle) | Color Temperature 27 = 2700K 30 = 3000K 40 = 4000K 50 = 5000K | 2nd Generation | CEC/Tier2 Compliant | WO = Web Only |

*WO items are sold in full case quantities.

Ordering Guide (5 CCT Selectable)

| LED | RTX | 9 | SC3 | XXXX | XX |
|-----|--------------|---------------|---|---------------------------------------|---|
| LED | RT4 RT5/6 | CRI 9 = 92 | Selectable Color Temperature 27 = 2700K 30 = 3000K 35 = 3500K 40 = 4000K 50 = 5000K | Lumens 500, 650, 725, 900, 1200 | Reflector SM = Smooth BA = Baffle |

Ordering Information

| Item Number | Ordering Abbreviation | Power (W) | Base Type | Replaces | Input Voltage (V) | Average Life (hrs) | CCT | Case Qty | Typical Lumens (lm) | CRI | Power Factor | Bulb Finish | ENERGY STAR® | T20 | T24 |
|-------------------------|-----------------------|-----------|------------|----------|-------------------|--------------------|-------|----------|---------------------|-----|--------------|-------------|--------------|-----|-----|
| Smooth Reflector | | | | | | | | | | | | | | | |
| 74285 | LED/RT4/600/927 | 9 | E26 Medium | 50W | 120 | 50,000 | 2700K | 2 | 600 | 90 | >90% | Frosted | Yes | Yes | Yes |
| 74286 | LED/RT4/600/930 | 9 | E26 Medium | 50W | 120 | 50,000 | 3000K | 2 | 600 | 90 | >90% | Frosted | Yes | Yes | Yes |
| 74288 | LED/RT4/600/940 | 9 | E26 Medium | 50W | 120 | 50,000 | 4000K | 2 | 600 | 90 | >90% | Frosted | Yes | Yes | Yes |
| 74289 | LED/RT4/600/950 | 9 | E26 Medium | 50W | 120 | 50,000 | 5000K | 2 | 600 | 90 | >90% | Frosted | Yes | Yes | No |
| 74290 | LED/RT56/700/927 | 10 | E26 Medium | 65W | 120 | 50,000 | 2700K | 2 | 700 | 90 | >90% | Frosted | Yes | Yes | Yes |
| 74291 | LED/RT56/700/930 | 10 | E26 Medium | 65W | 120 | 50,000 | 3000K | 2 | 700 | 90 | >90% | Frosted | Yes | Yes | Yes |
| 74292 | LED/RT56/700/940 | 10 | E26 Medium | 65W | 120 | 50,000 | 4000K | 2 | 700 | 90 | >90% | Frosted | Yes | Yes | Yes |
| 74293 | LED/RT56/700/950 | 10 | E26 Medium | 65W | 120 | 50,000 | 5000K | 2 | 700 | 90 | >90% | Frosted | Yes | Yes | No |
| 74294 | LED/RT56/900/927 | 13 | E26 Medium | 75W | 120 | 50,000 | 2700K | 2 | 900 | 90 | >90% | Frosted | Yes | Yes | Yes |
| 74295 | LED/RT56/900/930 | 13 | E26 Medium | 75W | 120 | 50,000 | 3000K | 2 | 900 | 90 | >90% | Frosted | Yes | Yes | Yes |
| 79750 | LED/RT56/1200/927 | 16 | E26 Medium | 100W | 120 | 50,000 | 2700K | 2 | 1200 | 90 | >90% | Frosted | Yes | Yes | Yes |
| 79751 | LED/RT56/1200/930 | 16 | E26 Medium | 100W | 120 | 50,000 | 3000K | 2 | 1200 | 90 | >90% | Frosted | Yes | Yes | Yes |
| 79753 | LED/RT56/1200/940 | 16 | E26 Medium | 100W | 120 | 50,000 | 4000K | 2 | 1200 | 90 | >90% | Frosted | Yes | Yes | Yes |

| Item Number | Ordering Abbreviation | Power (W) | Base Type | Replaces | Input Voltage (V) | Average Life (hrs) | CCT | Case Qty | Typical Lumens (lm) | CRI | Power Factor | Bulb Finish | ENERGY STAR® | T20 | T24 |
|--|-----------------------|-----------|-------------|----------|-------------------|--------------------|-------------------------------|----------|---------------------|-----|--------------|-------------|--------------|-----|-----|
| Smooth Reflector (5 CCT Selectable) | | | | | | | | | | | | | | | |
| 62013 | LEDRT49SC3500SM | 6 | Screw based | 55W | 120 | 50,000 | 2700/3000/3500/ 4000/5000K | 4 | 500 | >90 | >90 | Frosted | Yes | Yes | Yes |
| 62014 | LEDRT49SC3650SM | 8 | Screw based | 65W | 120 | 50,000 | 2700/3000/3500/ 4000/5000K | 4 | 650 | >90 | >90 | Frosted | Yes | Yes | Yes |
| 62015 | LEDRT569SC3725SM | 9 | Screw based | 65W | 120 | 50,000 | 2700/3000/3500/ 4000/5000K | 4 | 725 | >90 | >90 | Frosted | Yes | Yes | Yes |
| 62016 | LEDRT569SC3900SM | 11 | Screw based | 75W | 120 | 50,000 | 2700/3000/3500/ 4000/5000K | 4 | 900 | >90 | >90 | Frosted | Yes | Yes | Yes |
| 62017 | LEDRT569SC31200SM | 14 | Screw based | 100W | 120 | 50,000 | 2700/3000/3500/ 4000/5000K | 4 | 1200 | >90 | >90 | Frosted | Yes | Yes | Yes |

Ordering Information (continued)

| Item Number | Ordering Abbreviation | Power (W) | Base Type | Replaces | Input Voltage (V) | Average Life (hrs) | CCT | Case Qty | Typical Lumens (lm) | CRI | Power Factor | Bulb Finish | ENERGY STAR® | T20 | T24 |
|-------------------------|----------------------------|-----------|------------|----------|-------------------|--------------------|-------|----------|---------------------|-----|--------------|-------------|--------------|-----|-----|
| Baffle Reflector | | | | | | | | | | | | | | | |
| 40624 | LED/RT4/675/927/G2/CEC | 8 | E26 Medium | 65W | 120 | 50,000 | 2700K | 4 | 675 | 92 | >90% | Frosted | Yes | Yes | Yes |
| 40625 | LED/RT4/675/930/G2/CEC | 8 | E26 Medium | 65W | 120 | 50,000 | 3000K | 4 | 675 | 92 | >90% | Frosted | Yes | Yes | Yes |
| 40626 | LED/RT4/675/940/G2/CEC | 8 | E26 Medium | 65W | 120 | 50,000 | 4000K | 4 | 675 | 92 | >90% | Frosted | Yes | Yes | Yes |
| 40627 | LED/RT4/675/950/G2/CEC | 8 | E26 Medium | 65W | 120 | 50,000 | 5000K | 4 | 675 | 92 | >90% | Frosted | Yes | Yes | No |
| 40628 | LED/RT5/6/725/927/G2/CEC | 8.5 | E26 Medium | 65W | 120 | 50,000 | 2700K | 4 | 725 | 92 | >90% | Frosted | Yes | Yes | Yes |
| 40629 | LED/RT5/6/725/930/G2/CEC | 8.5 | E26 Medium | 65W | 120 | 50,000 | 3000K | 4 | 725 | 92 | >90% | Frosted | Yes | Yes | Yes |
| 62024* | LED/RT5/6/725/930/G2/CECWO | 8.5 | E26 Medium | 65W | 120 | 50,000 | 3000K | 4 | 725 | 92 | >90% | Frosted | Yes | Yes | Yes |
| 40630 | LED/RT5/6/725/940/G2/CEC | 8.5 | E26 Medium | 65W | 120 | 50,000 | 4000K | 4 | 725 | 92 | >90% | Frosted | Yes | Yes | Yes |
| 40631 | LED/RT5/6/725/950/G2/CEC | 8.5 | E26 Medium | 65W | 120 | 50,000 | 5000K | 4 | 725 | 92 | >90% | Frosted | Yes | Yes | No |
| 40632 | LED/RT5/6/900/927/G2/CEC | 10.5 | E26 Medium | 75W | 120 | 50,000 | 2700K | 4 | 900 | 92 | >90% | Frosted | Yes | Yes | Yes |
| 40633 | LED/RT5/6/900/930/G2/CEC | 10.5 | E26 Medium | 75W | 120 | 50,000 | 3000K | 4 | 900 | 92 | >90% | Frosted | Yes | Yes | Yes |
| 62025* | LED/RT5/6/900/930/G2/CECWO | 10.5 | E26 Medium | 75W | 120 | 50,000 | 3000K | 4 | 900 | 92 | >90% | Frosted | Yes | Yes | Yes |
| 40634 | LED/RT5/6/900/940/G2/CEC | 10.5 | E26 Medium | 75W | 120 | 50,000 | 4000K | 4 | 900 | 92 | >90% | Frosted | Yes | Yes | Yes |
| 40635 | LED/RT5/6/900/950/G2/CEC | 10.5 | E26 Medium | 75W | 120 | 50,000 | 5000K | 4 | 900 | 92 | >90% | Frosted | Yes | Yes | No |
| 65122 | LED/RT5/6/1200/927/G2/CEC | 14 | E26 Medium | 100W | 120 | 50,000 | 2700K | 4 | 1200 | 92 | >90% | Frosted | Yes | Yes | Yes |
| 65123 | LED/RT5/6/1200/930/G2/CEC | 14 | E26 Medium | 100W | 120 | 50,000 | 3000K | 4 | 1200 | 92 | >90% | Frosted | Yes | Yes | Yes |
| 65124 | LED/RT5/6/1200/940/G2/CEC | 14 | E26 Medium | 100W | 120 | 50,000 | 4000K | 4 | 1200 | 92 | >90% | Frosted | Yes | Yes | Yes |
| 65125 | LED/RT5/6/1200/950/G2/CEC | 14 | E26 Medium | 100W | 120 | 50,000 | 5000K | 4 | 1200 | 92 | >90% | Frosted | Yes | Yes | No |

*WO items are sold in full case quantities.

| Item Number | Ordering Abbreviation | Power (W) | Base Type | Replaces | Input Voltage (V) | Average Life (hrs) | CCT | Case Qty | Typical Lumens (lm) | CRI | Power Factor | Bulb Finish | ENERGY STAR® | T20 | T24 |
|--|-----------------------|-----------|-------------|----------|-------------------|--------------------|---------------------------|----------|---------------------|-----|--------------|-------------|--------------|-----|-----|
| Baffle Reflector (5 CCT Selectable) | | | | | | | | | | | | | | | |
| 62008 | LEDRT49SC3500BA | 6 | Screw based | 55W | 120 | 50,000 | 2700/3000/3500/4000/5000K | 4 | 500 | >90 | >90 | Frosted | Yes | Yes | Yes |
| 62009 | LEDRT49SC3650BA | 8 | Screw based | 65W | 120 | 50,000 | 2700/3000/3500/4000/5000K | 4 | 650 | >90 | >90 | Frosted | Yes | Yes | Yes |
| 62010 | LEDRT569SC3725BA | 9 | Screw based | 65W | 120 | 50,000 | 2700/3000/3500/4000/5000K | 4 | 725 | >90 | >90 | Frosted | Yes | Yes | Yes |
| 62011 | LEDRT569SC3900BA | 11 | Screw based | 75W | 120 | 50,000 | 2700/3000/3500/4000/5000K | 4 | 900 | >90 | >90 | Frosted | Yes | Yes | Yes |
| 62012 | LEDRT569SC31200BA | 14 | Screw based | 100W | 120 | 50,000 | 2700/3000/3500/4000/5000K | 4 | 1200 | >90 | >90 | Frosted | Yes | Yes | Yes |

Energy Savings

| Basic Product Description | LED Life (hrs) | LED Lumens | Similar Incandescent (hrs) | Incandescent Lumens | Watts Saved | Energy Savings* | LED Life vs Incandescent |
|---------------------------|----------------|------------|----------------------------|---------------------|-------------|-----------------|--------------------------|
| Smooth Reflector | | | | | | | |
| LED/RT4/600/9XX | 50,000 | 600 | 2000 | 640 | 41W | \$225 | 25X |
| LED/RT5/6/700/9XX | 50,000 | 700 | 2000 | 640 | 55W | \$302 | 25X |
| LED/RT5/6/900/9XX | 50,000 | 900 | 2000 | 1600 | 62W | \$341 | 25X |
| LED/RT5/6/1200/9XX | 50,000 | 1200 | 2000 | 1600 | 84W | \$462 | 25X |
| Baffle Reflector | | | | | | | |
| LED/RT4/675/9XX/G2 | 50,000 | 675 | 2000 | 640 | 57W | \$314 | 25X |
| LED/RT5/6/725/9XX/G2 | 50,000 | 725 | 2000 | 640 | 57W | \$314 | 25X |
| LED/RT5/6/900/9XX/G2 | 50,000 | 900 | 2000 | 1600 | 86W | \$360 | 25X |
| LED/RT5/6/1200/9XX/G2 | 50,000 | 1200 | 2000 | 1600 | 86W | \$360 | 25X |

*Energy savings over life of lamp calculated at \$0.11/kWh

Energy Savings (5 CCT Selectable)

| Basic Product Description | LED Life (hrs) | LED Lumens | Similar Incandescent (hrs) | Incandescent Lumens | Watts Saved | Energy Savings* | LED Life vs Incandescent |
|---------------------------|----------------|------------|----------------------------|---------------------|-------------|-----------------|--------------------------|
| Smooth Reflector | | | | | | | |
| LEDRT49SC3500SM | 50,000 | 500 | 2000 | 580 | 49W | \$270 | 25X |
| LEDRT49SC3650SM | 50,000 | 650 | 2000 | 680 | 57W | \$314 | 25X |
| LEDRT569SC3725SM | 50,000 | 725 | 2000 | 680 | 56W | \$308 | 25X |
| LEDRT569SC3900SM | 50,000 | 900 | 2000 | 780 | 64W | \$352 | 25X |
| LEDRT569SC31200SM | 50,000 | 1200 | 2000 | 1000 | 86W | \$473 | 25X |
| Baffle Reflector | | | | | | | |
| LEDRT49SC3500BA | 50,000 | 500 | 2000 | 580 | 49W | \$270 | 25X |
| LEDRT49SC3650BA | 50,000 | 650 | 2000 | 680 | 57W | \$314 | 25X |
| LEDRT569SC3725BA | 50,000 | 725 | 2000 | 680 | 56W | \$308 | 25X |
| LEDRT569SC3900BA | 50,000 | 900 | 2000 | 780 | 64W | \$352 | 25X |
| LEDRT569SC31200BA | 50,000 | 1200 | 2000 | 1000 | 86W | \$473 | 25X |

*Energy savings over life of lamp calculated at \$0.11/kWh

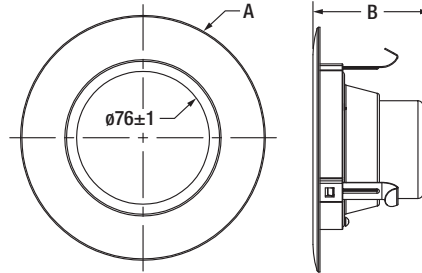
Physical Information

Smooth Reflector

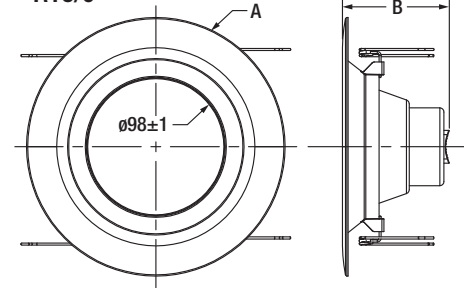
| Lamp Description | (A) Diameter in (mm) | (B) Height in (mm) |
|--------------------|----------------------|--------------------|
| LED/RT4/600/9XX | 5.51 (140) | 2.64 (67) |
| LED/RT5/6/700/9XX | 7.32 (186) | 3.03 (77) |
| LED/RT5/6/900/9XX | 7.32 (186) | 3.03 (77) |
| LED/RT5/6/1200/9XX | 7.32 (186) | 3.03 (77) |
| LEDRT49SC3500SM | 5.51 (140) | 2.64 (67) |
| LEDRT49SC3650SM | 5.51 (140) | 2.64 (67) |
| LEDRT569SC3725SM | 7.32 (186) | 3.03 (77) |
| LEDRT569SC3900SM | 7.32 (186) | 3.03 (77) |
| LEDRT569SC31200SM | 7.32 (186) | 3.03 (77) |

Smooth Reflector

RT4



RT5/6

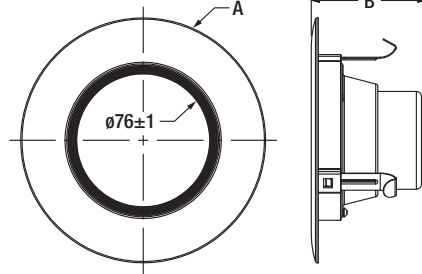


Baffle Reflector

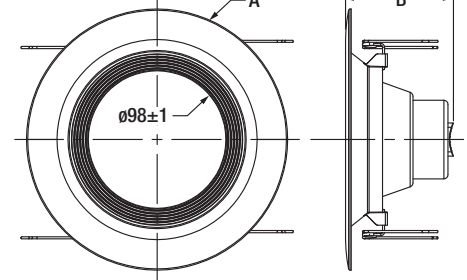
| Lamp Description | (A) Diameter in (mm) | (B) Height in (mm) |
|-----------------------|----------------------|--------------------|
| LED/RT4/675/9XX/G2 | 5.51 (140) | 2.64 (67) |
| LED/RT5/6/725/9XX/G2 | 7.32 (186) | 3.03 (77) |
| LED/RT5/6/900/9XX/G2 | 7.32 (186) | 3.03 (77) |
| LED/RT5/6/1200/9XX/G2 | 7.32 (186) | 3.03 (77) |
| LEDRT49SC3500BA | 5.51 (140) | 2.64 (67) |
| LEDRT49SC3650BA | 5.51 (140) | 2.64 (67) |
| LEDRT569SC3725BA | 7.32 (186) | 3.03 (77) |
| LEDRT569SC3900BA | 7.32 (186) | 3.03 (77) |
| LEDRT569SC31200BA | 7.32 (186) | 3.03 (77) |

Baffle Reflector

RT4



RT5/6



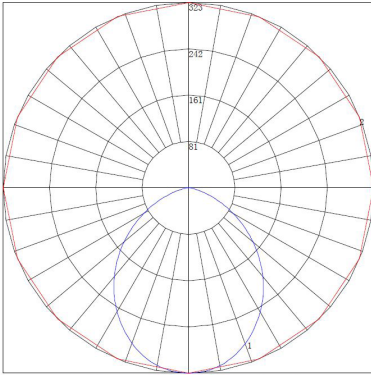
Installation

- Operating temperature range between -4°F and 104°F (-20°C and 40°C).
- Suitable for indoor and outdoor dry, damp and wet locations.
- Suitable for dimmers or in housings controlled by a dimmer.
- The RT4 & RT5/6 Screw-based recessed downlight kits are dimmable down to 10% of full light output with compatible dimmers. The minimum dimming value is based on light output using compatible dimmers, and may not be an indication of the kit's full rated capability.
- Not intended for use with emergency light fixtures or exit lights.
- For use in housings that can structurally support a lamp weighing one pound.
- RT5/6 designed to install in standard 5" and 6" insulated and non-insulated housings.
- Compatible with Philips Bodine ELI-S-20 Emergency Lighting Micro Inverter, IOTA model IIS-375-LED and LVS CEPS-350-VOLT.

Photometric Data

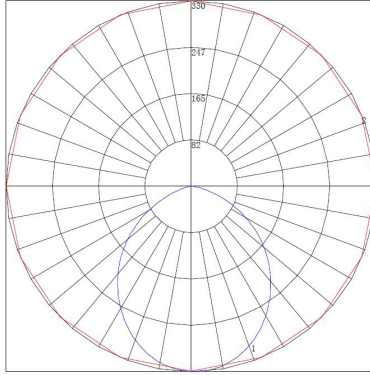
Smooth Reflector

RT4 600lm



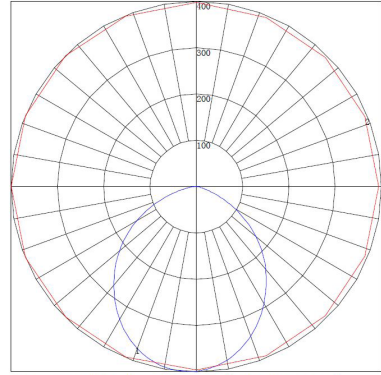
Maximum Candela = 322.82 Located At Horizontal Angle = 90, Vertical Angle = 1
1 - Vertical Plane Through Horizontal Angles (90 - 270) (Through Max. Cd.)
2 - Horizontal Cone Through Vertical Angle (1) (Through Max. Cd.)

RT5/6 700lm



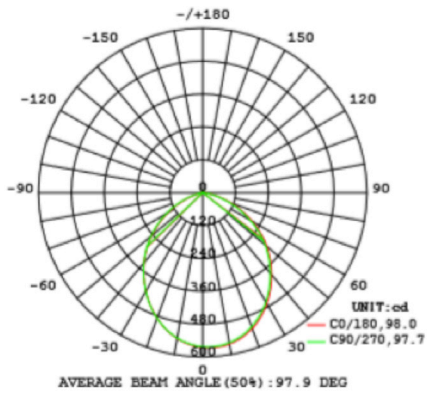
Maximum Candela = 329.6 Located At Horizontal Angle = 90, Vertical Angle = 1
1 - Vertical Plane Through Horizontal Angles (90 - 270) (Through Max. Cd.)
2 - Horizontal Cone Through Vertical Angle (1) (Through Max. Cd.)

RT5/6 900lm



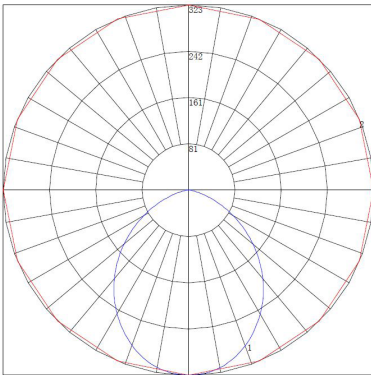
Maximum Candela = 400.13 Located At Horizontal Angle = 157.5, Vertical Angle = 4
1 - Vertical Plane Through Horizontal Angles (157.5 - 337.5) (Through Max. Cd.)
2 - Horizontal Cone Through Vertical Angle (4) (Through Max. Cd.)

RT5/6 1200lm



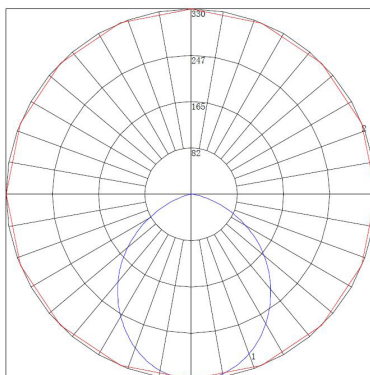
Baffle Reflector

RT4 675lm



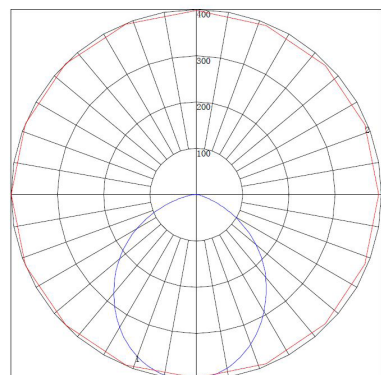
Maximum Candela = 322.82 Located At Horizontal Angle = 90, Vertical Angle = 1
1 - Vertical Plane Through Horizontal Angles (90 - 270) (Through Max. Cd.)
2 - Horizontal Cone Through Vertical Angle (1) (Through Max. Cd.)

RT5/6 725lm



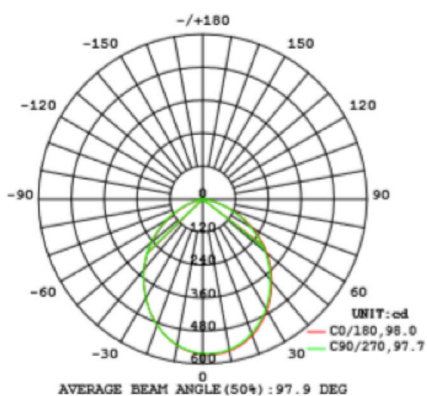
Maximum Candela = 329.6 Located At Horizontal Angle = 90, Vertical Angle = 1
1 - Vertical Plane Through Horizontal Angles (90 - 270) (Through Max. Cd.)
2 - Horizontal Cone Through Vertical Angle (1) (Through Max. Cd.)

RT5/6 900lm



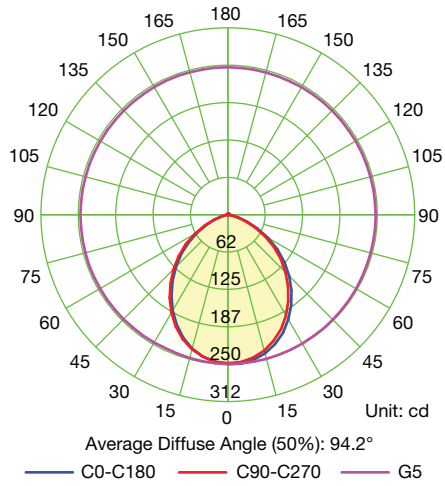
Maximum Candela = 400.13 Located At Horizontal Angle = 157.5, Vertical Angle = 4
1 - Vertical Plane Through Horizontal Angles (157.5 - 337.5) (Through Max. Cd.)
2 - Horizontal Cone Through Vertical Angle (4) (Through Max. Cd.)

RT5/6 1200lm

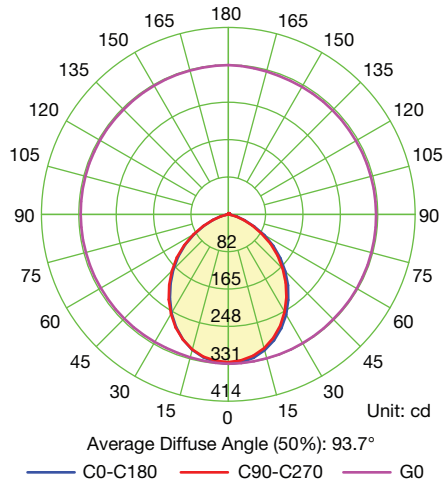


Photometric Data (5 CCT Selectable)

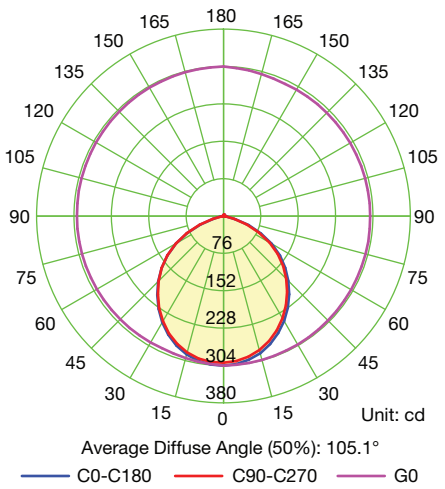
RT4 500lm



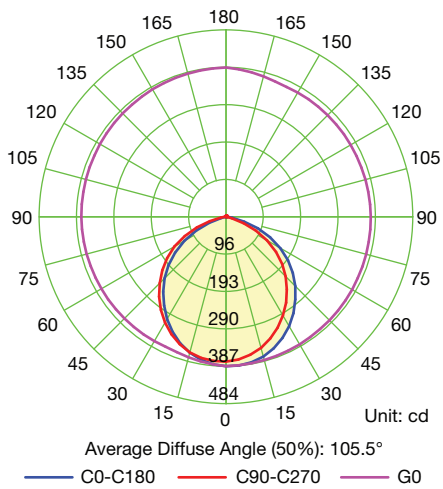
RT4 650lm



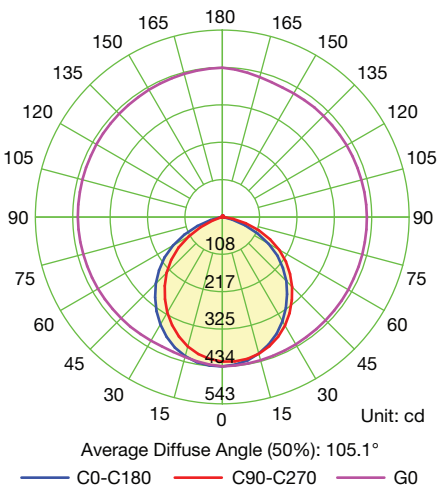
RT5/6 725lm



RT5/6 900lm

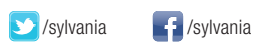


RT5/6 1200lm



LEDVANCE LLC
181 Ballardvale Street
Wilmington, MA 01887 USA
Phone 1-800-LIGHTBULB (1-800-544-4828)
www.ledvanceUS.com

SYLVANIA and LEDVANCE are registered trademarks.
All other trademarks are those of their respective owners.
Licensee of product trademark SYLVANIA in general lighting.
Specifications subject to change without notice.



SYLVANIA Luminaire

Hi-PerformanceLED™ RT Screw-based Smooth and Baffle Reflector

Application

Ideal for retrofit applications in healthcare, hospitality, office, residential and retail using 4 inch, 5 inch & 6 inch housings.

Benefits and Features

- Lumen Package:
 - RT4 with 500, 600, 650 and 675 lumens
 - RT5/6 with 700, 725, 900 and 1200 lumens
- Complete product mix with all color temperatures available: 2700K, 3000K, 3500K, 4000K and 5000K
- Replacement for up to 100W incandescent lamps
- Integrated white trim, smooth or baffle reflector, socket adaptor, airtight ring (included)
- No warm-up time, instant-on with full light output and consistent lamp to lamp color
- RT5/6 is compatible with 5 inch & 6 inch housings
- Phase-Cut Dimmable
- Available beam angle: 110°

Electrical

- 120V_{AC}

Rated Life

- 50,000 hours (L₇₀)

Warranty

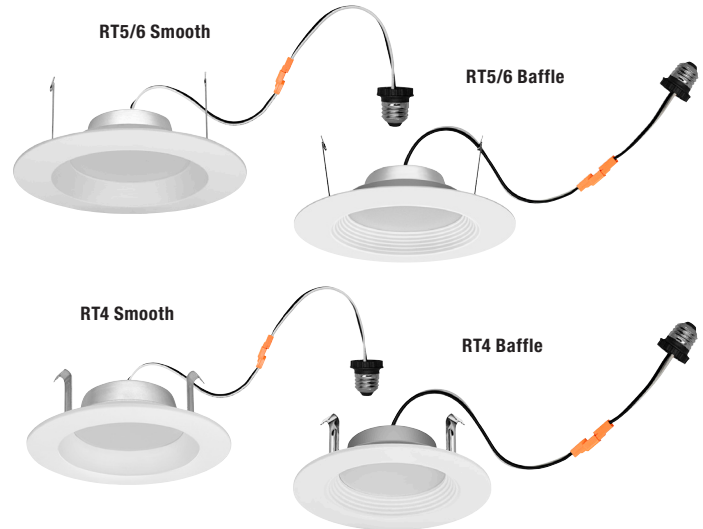
- 5-year
- NLB Trusted Warranty Program

Ambient Operating Range

- -4°F to +104°F (-20°C to +40°C)

Certifications and Listings

- UL
- ENERGY STAR®
- Compliant with CEC Title 20 Efficiency Standards
- CEC Title 24 JA8 Listed (except 5000K)



Wattage Comparison

| Traditional Source | Traditional System Wattage | LED System Wattage | Energy Savings |
|---|----------------------------|--------------------|----------------|
| Smooth Reflector | | | |
| Incandescent | 50W | 9W | 84% |
| Incandescent | 65W | 10W | 84% |
| Incandescent | 75W | 13W | 84% |
| Incandescent | 100W | 16W | 84% |
| Baffle Reflector | | | |
| Incandescent | 65W | 8W | 86% |
| Incandescent | 65W | 8.5W | 86% |
| Incandescent | 75W | 10.5W | 86% |
| Incandescent | 100W | 14W | 86% |
| Smooth and Baffle Reflector (5 CCT Selectable) | | | |
| Incandescent | 55W | 6W | 89% |
| Incandescent | 65W | 8W | 88% |
| Incandescent | 65W | 9W | 86% |
| Incandescent | 75W | 11W | 85% |
| Incandescent | 100W | 14W | 86% |

Specifications and Certifications



Specification Data

| | |
|-------------|------|
| Catalog # | Type |
| Project | |
| Comments | |
| Prepared by | |

Ordering Guide

| LED | RTX | XXXX | 9 | XX | G2 | CEC | WO* |
|-----|--------------|--|---|---|----------------|------------------------|---------------|
| LED | RT4 RT5/6 | Lumens 600, 675, 700, 725, 900, 1200 | CRI 9 = 90 (Smooth) 9 = 92 (Baffle) | Color Temperature 27 = 2700K 30 = 3000K 40 = 4000K 50 = 5000K | 2nd Generation | CEC/Tier2 Compliant | WO = Web Only |

*WO items are sold in full case quantities.

Ordering Guide (5 CCT Selectable)

| LED | RTX | 9 | SC3 | XXXX | XX |
|-----|--------------|---------------|---|---------------------------------------|---|
| LED | RT4 RT5/6 | CRI 9 = 92 | Selectable Color Temperature 27 = 2700K 30 = 3000K 35 = 3500K 40 = 4000K 50 = 5000K | Lumens 500, 650, 725, 900, 1200 | Reflector SM = Smooth BA = Baffle |

Ordering Information

| Item Number | Ordering Abbreviation | Power (W) | Base Type | Replaces | Input Voltage (V) | Average Life (hrs) | CCT | Case Qty | Typical Lumens (lm) | CRI | Power Factor | Bulb Finish | ENERGY STAR® | T20 | T24 |
|-------------------------|-----------------------|-----------|------------|----------|-------------------|--------------------|-------|----------|---------------------|-----|--------------|-------------|--------------|-----|-----|
| Smooth Reflector | | | | | | | | | | | | | | | |
| 74285 | LED/RT4/600/927 | 9 | E26 Medium | 50W | 120 | 50,000 | 2700K | 2 | 600 | 90 | >90% | Frosted | Yes | Yes | Yes |
| 74286 | LED/RT4/600/930 | 9 | E26 Medium | 50W | 120 | 50,000 | 3000K | 2 | 600 | 90 | >90% | Frosted | Yes | Yes | Yes |
| 74288 | LED/RT4/600/940 | 9 | E26 Medium | 50W | 120 | 50,000 | 4000K | 2 | 600 | 90 | >90% | Frosted | Yes | Yes | Yes |
| 74289 | LED/RT4/600/950 | 9 | E26 Medium | 50W | 120 | 50,000 | 5000K | 2 | 600 | 90 | >90% | Frosted | Yes | Yes | No |
| 74290 | LED/RT56/700/927 | 10 | E26 Medium | 65W | 120 | 50,000 | 2700K | 2 | 700 | 90 | >90% | Frosted | Yes | Yes | Yes |
| 74291 | LED/RT56/700/930 | 10 | E26 Medium | 65W | 120 | 50,000 | 3000K | 2 | 700 | 90 | >90% | Frosted | Yes | Yes | Yes |
| 74292 | LED/RT56/700/940 | 10 | E26 Medium | 65W | 120 | 50,000 | 4000K | 2 | 700 | 90 | >90% | Frosted | Yes | Yes | Yes |
| 74293 | LED/RT56/700/950 | 10 | E26 Medium | 65W | 120 | 50,000 | 5000K | 2 | 700 | 90 | >90% | Frosted | Yes | Yes | No |
| 74294 | LED/RT56/900/927 | 13 | E26 Medium | 75W | 120 | 50,000 | 2700K | 2 | 900 | 90 | >90% | Frosted | Yes | Yes | Yes |
| 74295 | LED/RT56/900/930 | 13 | E26 Medium | 75W | 120 | 50,000 | 3000K | 2 | 900 | 90 | >90% | Frosted | Yes | Yes | Yes |
| 79750 | LED/RT56/1200/927 | 16 | E26 Medium | 100W | 120 | 50,000 | 2700K | 2 | 1200 | 90 | >90% | Frosted | Yes | Yes | Yes |
| 79751 | LED/RT56/1200/930 | 16 | E26 Medium | 100W | 120 | 50,000 | 3000K | 2 | 1200 | 90 | >90% | Frosted | Yes | Yes | Yes |
| 79753 | LED/RT56/1200/940 | 16 | E26 Medium | 100W | 120 | 50,000 | 4000K | 2 | 1200 | 90 | >90% | Frosted | Yes | Yes | Yes |

| Item Number | Ordering Abbreviation | Power (W) | Base Type | Replaces | Input Voltage (V) | Average Life (hrs) | CCT | Case Qty | Typical Lumens (lm) | CRI | Power Factor | Bulb Finish | ENERGY STAR® | T20 | T24 |
|--|-----------------------|-----------|-------------|----------|-------------------|--------------------|-------------------------------|----------|---------------------|-----|--------------|-------------|--------------|-----|-----|
| Smooth Reflector (5 CCT Selectable) | | | | | | | | | | | | | | | |
| 62013 | LEDRT49SC3500SM | 6 | Screw based | 55W | 120 | 50,000 | 2700/3000/3500/ 4000/5000K | 4 | 500 | >90 | >90 | Frosted | Yes | Yes | Yes |
| 62014 | LEDRT49SC3650SM | 8 | Screw based | 65W | 120 | 50,000 | 2700/3000/3500/ 4000/5000K | 4 | 650 | >90 | >90 | Frosted | Yes | Yes | Yes |
| 62015 | LEDRT569SC3725SM | 9 | Screw based | 65W | 120 | 50,000 | 2700/3000/3500/ 4000/5000K | 4 | 725 | >90 | >90 | Frosted | Yes | Yes | Yes |
| 62016 | LEDRT569SC3900SM | 11 | Screw based | 75W | 120 | 50,000 | 2700/3000/3500/ 4000/5000K | 4 | 900 | >90 | >90 | Frosted | Yes | Yes | Yes |
| 62017 | LEDRT569SC31200SM | 14 | Screw based | 100W | 120 | 50,000 | 2700/3000/3500/ 4000/5000K | 4 | 1200 | >90 | >90 | Frosted | Yes | Yes | Yes |

Ordering Information (continued)

| Item Number | Ordering Abbreviation | Power (W) | Base Type | Replaces | Input Voltage (V) | Average Life (hrs) | CCT | Case Qty | Typical Lumens (lm) | CRI | Power Factor | Bulb Finish | ENERGY STAR® | T20 | T24 |
|-------------------------|----------------------------|-----------|------------|----------|-------------------|--------------------|-------|----------|---------------------|-----|--------------|-------------|--------------|-----|-----|
| Baffle Reflector | | | | | | | | | | | | | | | |
| 40624 | LED/RT4/675/927/G2/CEC | 8 | E26 Medium | 65W | 120 | 50,000 | 2700K | 4 | 675 | 92 | >90% | Frosted | Yes | Yes | Yes |
| 40625 | LED/RT4/675/930/G2/CEC | 8 | E26 Medium | 65W | 120 | 50,000 | 3000K | 4 | 675 | 92 | >90% | Frosted | Yes | Yes | Yes |
| 40626 | LED/RT4/675/940/G2/CEC | 8 | E26 Medium | 65W | 120 | 50,000 | 4000K | 4 | 675 | 92 | >90% | Frosted | Yes | Yes | Yes |
| 40627 | LED/RT4/675/950/G2/CEC | 8 | E26 Medium | 65W | 120 | 50,000 | 5000K | 4 | 675 | 92 | >90% | Frosted | Yes | Yes | No |
| 40628 | LED/RT5/6/725/927/G2/CEC | 8.5 | E26 Medium | 65W | 120 | 50,000 | 2700K | 4 | 725 | 92 | >90% | Frosted | Yes | Yes | Yes |
| 40629 | LED/RT5/6/725/930/G2/CEC | 8.5 | E26 Medium | 65W | 120 | 50,000 | 3000K | 4 | 725 | 92 | >90% | Frosted | Yes | Yes | Yes |
| 62024* | LED/RT5/6/725/930/G2/CECWO | 8.5 | E26 Medium | 65W | 120 | 50,000 | 3000K | 4 | 725 | 92 | >90% | Frosted | Yes | Yes | Yes |
| 40630 | LED/RT5/6/725/940/G2/CEC | 8.5 | E26 Medium | 65W | 120 | 50,000 | 4000K | 4 | 725 | 92 | >90% | Frosted | Yes | Yes | Yes |
| 40631 | LED/RT5/6/725/950/G2/CEC | 8.5 | E26 Medium | 65W | 120 | 50,000 | 5000K | 4 | 725 | 92 | >90% | Frosted | Yes | Yes | No |
| 40632 | LED/RT5/6/900/927/G2/CEC | 10.5 | E26 Medium | 75W | 120 | 50,000 | 2700K | 4 | 900 | 92 | >90% | Frosted | Yes | Yes | Yes |
| 40633 | LED/RT5/6/900/930/G2/CEC | 10.5 | E26 Medium | 75W | 120 | 50,000 | 3000K | 4 | 900 | 92 | >90% | Frosted | Yes | Yes | Yes |
| 62025* | LED/RT5/6/900/930/G2/CECWO | 10.5 | E26 Medium | 75W | 120 | 50,000 | 3000K | 4 | 900 | 92 | >90% | Frosted | Yes | Yes | Yes |
| 40634 | LED/RT5/6/900/940/G2/CEC | 10.5 | E26 Medium | 75W | 120 | 50,000 | 4000K | 4 | 900 | 92 | >90% | Frosted | Yes | Yes | Yes |
| 40635 | LED/RT5/6/900/950/G2/CEC | 10.5 | E26 Medium | 75W | 120 | 50,000 | 5000K | 4 | 900 | 92 | >90% | Frosted | Yes | Yes | No |
| 65122 | LED/RT5/6/1200/927/G2/CEC | 14 | E26 Medium | 100W | 120 | 50,000 | 2700K | 4 | 1200 | 92 | >90% | Frosted | Yes | Yes | Yes |
| 65123 | LED/RT5/6/1200/930/G2/CEC | 14 | E26 Medium | 100W | 120 | 50,000 | 3000K | 4 | 1200 | 92 | >90% | Frosted | Yes | Yes | Yes |
| 65124 | LED/RT5/6/1200/940/G2/CEC | 14 | E26 Medium | 100W | 120 | 50,000 | 4000K | 4 | 1200 | 92 | >90% | Frosted | Yes | Yes | Yes |
| 65125 | LED/RT5/6/1200/950/G2/CEC | 14 | E26 Medium | 100W | 120 | 50,000 | 5000K | 4 | 1200 | 92 | >90% | Frosted | Yes | Yes | No |

*WO items are sold in full case quantities.

| Item Number | Ordering Abbreviation | Power (W) | Base Type | Replaces | Input Voltage (V) | Average Life (hrs) | CCT | Case Qty | Typical Lumens (lm) | CRI | Power Factor | Bulb Finish | ENERGY STAR® | T20 | T24 |
|--|-----------------------|-----------|-------------|----------|-------------------|--------------------|---------------------------|----------|---------------------|-----|--------------|-------------|--------------|-----|-----|
| Baffle Reflector (5 CCT Selectable) | | | | | | | | | | | | | | | |
| 62008 | LEDRT49SC3500BA | 6 | Screw based | 55W | 120 | 50,000 | 2700/3000/3500/4000/5000K | 4 | 500 | >90 | >90 | Frosted | Yes | Yes | Yes |
| 62009 | LEDRT49SC3650BA | 8 | Screw based | 65W | 120 | 50,000 | 2700/3000/3500/4000/5000K | 4 | 650 | >90 | >90 | Frosted | Yes | Yes | Yes |
| 62010 | LEDRT569SC3725BA | 9 | Screw based | 65W | 120 | 50,000 | 2700/3000/3500/4000/5000K | 4 | 725 | >90 | >90 | Frosted | Yes | Yes | Yes |
| 62011 | LEDRT569SC3900BA | 11 | Screw based | 75W | 120 | 50,000 | 2700/3000/3500/4000/5000K | 4 | 900 | >90 | >90 | Frosted | Yes | Yes | Yes |
| 62012 | LEDRT569SC31200BA | 14 | Screw based | 100W | 120 | 50,000 | 2700/3000/3500/4000/5000K | 4 | 1200 | >90 | >90 | Frosted | Yes | Yes | Yes |

Energy Savings

| Basic Product Description | LED Life (hrs) | LED Lumens | Similar Incandescent (hrs) | Incandescent Lumens | Watts Saved | Energy Savings* | LED Life vs Incandescent |
|---------------------------|----------------|------------|----------------------------|---------------------|-------------|-----------------|--------------------------|
| Smooth Reflector | | | | | | | |
| LED/RT4/600/9XX | 50,000 | 600 | 2000 | 640 | 41W | \$225 | 25X |
| LED/RT5/6/700/9XX | 50,000 | 700 | 2000 | 640 | 55W | \$302 | 25X |
| LED/RT5/6/900/9XX | 50,000 | 900 | 2000 | 1600 | 62W | \$341 | 25X |
| LED/RT5/6/1200/9XX | 50,000 | 1200 | 2000 | 1600 | 84W | \$462 | 25X |
| Baffle Reflector | | | | | | | |
| LED/RT4/675/9XX/G2 | 50,000 | 675 | 2000 | 640 | 57W | \$314 | 25X |
| LED/RT5/6/725/9XX/G2 | 50,000 | 725 | 2000 | 640 | 57W | \$314 | 25X |
| LED/RT5/6/900/9XX/G2 | 50,000 | 900 | 2000 | 1600 | 86W | \$360 | 25X |
| LED/RT5/6/1200/9XX/G2 | 50,000 | 1200 | 2000 | 1600 | 86W | \$360 | 25X |

*Energy savings over life of lamp calculated at \$0.11/kWh

Energy Savings (5 CCT Selectable)

| Basic Product Description | LED Life (hrs) | LED Lumens | Similar Incandescent (hrs) | Incandescent Lumens | Watts Saved | Energy Savings* | LED Life vs Incandescent |
|---------------------------|----------------|------------|----------------------------|---------------------|-------------|-----------------|--------------------------|
| Smooth Reflector | | | | | | | |
| LEDRT49SC3500SM | 50,000 | 500 | 2000 | 580 | 49W | \$270 | 25X |
| LEDRT49SC3650SM | 50,000 | 650 | 2000 | 680 | 57W | \$314 | 25X |
| LEDRT569SC3725SM | 50,000 | 725 | 2000 | 680 | 56W | \$308 | 25X |
| LEDRT569SC3900SM | 50,000 | 900 | 2000 | 780 | 64W | \$352 | 25X |
| LEDRT569SC31200SM | 50,000 | 1200 | 2000 | 1000 | 86W | \$473 | 25X |
| Baffle Reflector | | | | | | | |
| LEDRT49SC3500BA | 50,000 | 500 | 2000 | 580 | 49W | \$270 | 25X |
| LEDRT49SC3650BA | 50,000 | 650 | 2000 | 680 | 57W | \$314 | 25X |
| LEDRT569SC3725BA | 50,000 | 725 | 2000 | 680 | 56W | \$308 | 25X |
| LEDRT569SC3900BA | 50,000 | 900 | 2000 | 780 | 64W | \$352 | 25X |
| LEDRT569SC31200BA | 50,000 | 1200 | 2000 | 1000 | 86W | \$473 | 25X |

*Energy savings over life of lamp calculated at \$0.11/kWh

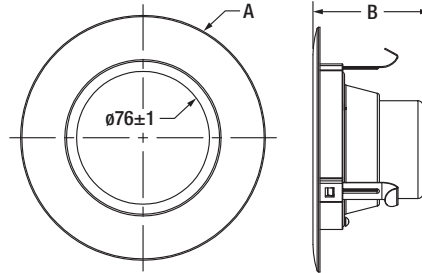
Physical Information

Smooth Reflector

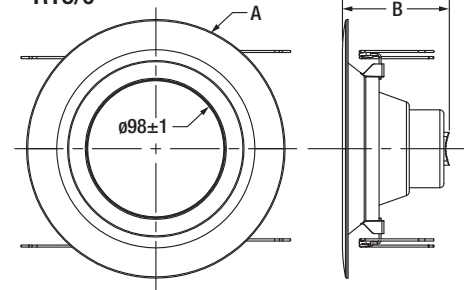
| Lamp Description | (A) Diameter in (mm) | (B) Height in (mm) |
|--------------------|----------------------|--------------------|
| LED/RT4/600/9XX | 5.51 (140) | 2.64 (67) |
| LED/RT5/6/700/9XX | 7.32 (186) | 3.03 (77) |
| LED/RT5/6/900/9XX | 7.32 (186) | 3.03 (77) |
| LED/RT5/6/1200/9XX | 7.32 (186) | 3.03 (77) |
| LEDRT49SC3500SM | 5.51 (140) | 2.64 (67) |
| LEDRT49SC3650SM | 5.51 (140) | 2.64 (67) |
| LEDRT569SC3725SM | 7.32 (186) | 3.03 (77) |
| LEDRT569SC3900SM | 7.32 (186) | 3.03 (77) |
| LEDRT569SC31200SM | 7.32 (186) | 3.03 (77) |

Smooth Reflector

RT4



RT5/6

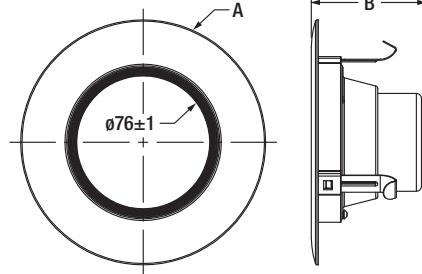


Baffle Reflector

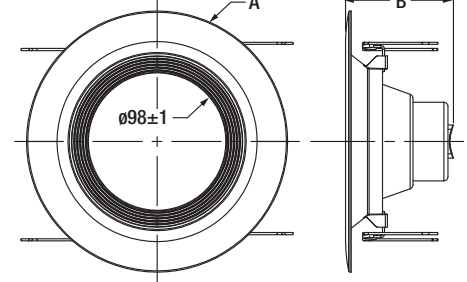
| Lamp Description | (A) Diameter in (mm) | (B) Height in (mm) |
|-----------------------|----------------------|--------------------|
| LED/RT4/675/9XX/G2 | 5.51 (140) | 2.64 (67) |
| LED/RT5/6/725/9XX/G2 | 7.32 (186) | 3.03 (77) |
| LED/RT5/6/900/9XX/G2 | 7.32 (186) | 3.03 (77) |
| LED/RT5/6/1200/9XX/G2 | 7.32 (186) | 3.03 (77) |
| LEDRT49SC3500BA | 5.51 (140) | 2.64 (67) |
| LEDRT49SC3650BA | 5.51 (140) | 2.64 (67) |
| LEDRT569SC3725BA | 7.32 (186) | 3.03 (77) |
| LEDRT569SC3900BA | 7.32 (186) | 3.03 (77) |
| LEDRT569SC31200BA | 7.32 (186) | 3.03 (77) |

Baffle Reflector

RT4



RT5/6



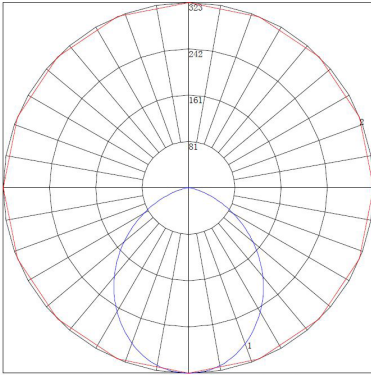
Installation

- Operating temperature range between -4°F and 104°F (-20°C and 40°C).
- Suitable for indoor and outdoor dry, damp and wet locations.
- Suitable for dimmers or in housings controlled by a dimmer.
- The RT4 & RT5/6 Screw-based recessed downlight kits are dimmable down to 10% of full light output with compatible dimmers. The minimum dimming value is based on light output using compatible dimmers, and may not be an indication of the kit's full rated capability.
- Not intended for use with emergency light fixtures or exit lights.
- For use in housings that can structurally support a lamp weighing one pound.
- RT5/6 designed to install in standard 5" and 6" insulated and non-insulated housings.
- Compatible with Philips Bodine ELI-S-20 Emergency Lighting Micro Inverter, IOTA model IIS-375-LED and LVS CEPS-350-VOLT.

Photometric Data

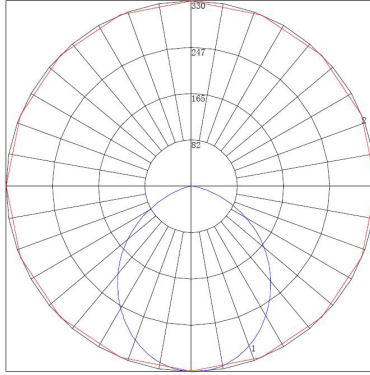
Smooth Reflector

RT4 600lm



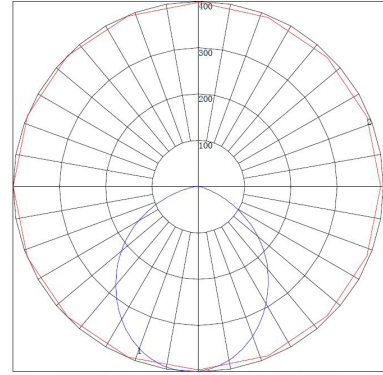
Maximum Candela = 322.82 Located At Horizontal Angle = 90, Vertical Angle = 1
1 - Vertical Plane Through Horizontal Angles (90 - 270) (Through Max. Cd.)
2 - Horizontal Cone Through Vertical Angle (1) (Through Max. Cd.)

RT5/6 700lm



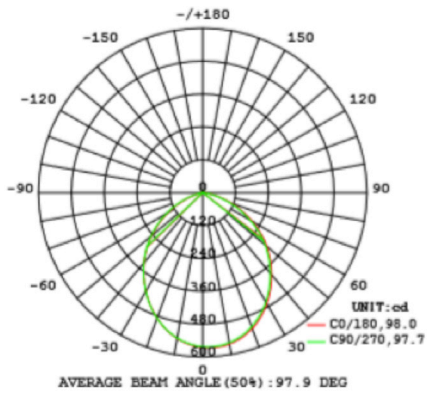
Maximum Candela = 329.6 Located At Horizontal Angle = 90, Vertical Angle = 1
1 - Vertical Plane Through Horizontal Angles (90 - 270) (Through Max. Cd.)
2 - Horizontal Cone Through Vertical Angle (1) (Through Max. Cd.)

RT5/6 900lm



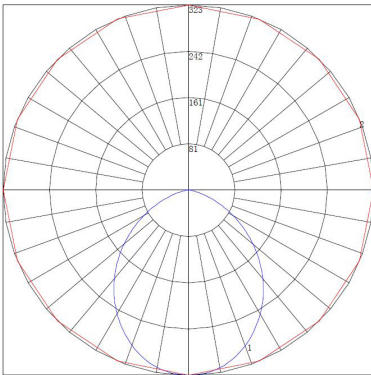
Maximum Candela = 400.13 Located At Horizontal Angle = 157.5, Vertical Angle = 4
1 - Vertical Plane Through Horizontal Angles (157.5 - 337.5) (Through Max. Cd.)
2 - Horizontal Cone Through Vertical Angle (4) (Through Max. Cd.)

RT5/6 1200lm



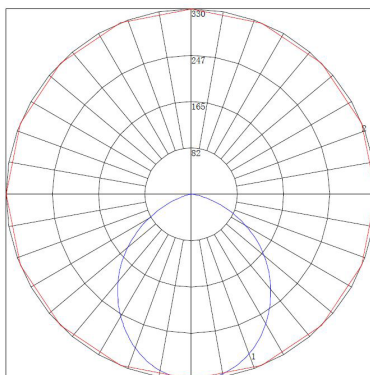
Baffle Reflector

RT4 675lm



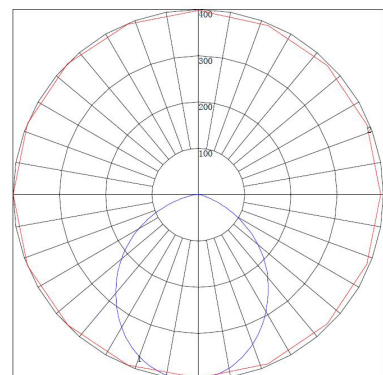
Maximum Candela = 322.82 Located At Horizontal Angle = 90, Vertical Angle = 1
1 - Vertical Plane Through Horizontal Angles (90 - 270) (Through Max. Cd.)
2 - Horizontal Cone Through Vertical Angle (1) (Through Max. Cd.)

RT5/6 725lm



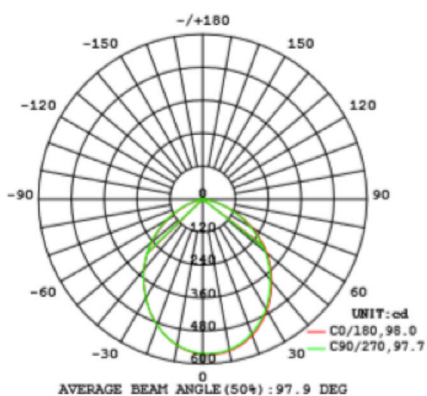
Maximum Candela = 329.6 Located At Horizontal Angle = 90, Vertical Angle = 1
1 - Vertical Plane Through Horizontal Angles (90 - 270) (Through Max. Cd.)
2 - Horizontal Cone Through Vertical Angle (1) (Through Max. Cd.)

RT5/6 900lm



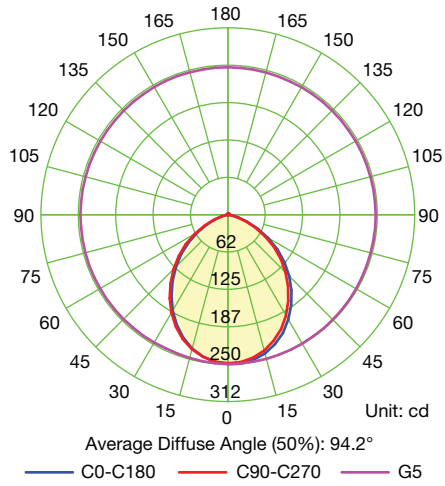
Maximum Candela = 400.13 Located At Horizontal Angle = 157.5, Vertical Angle = 4
1 - Vertical Plane Through Horizontal Angles (157.5 - 337.5) (Through Max. Cd.)
2 - Horizontal Cone Through Vertical Angle (4) (Through Max. Cd.)

RT5/6 1200lm

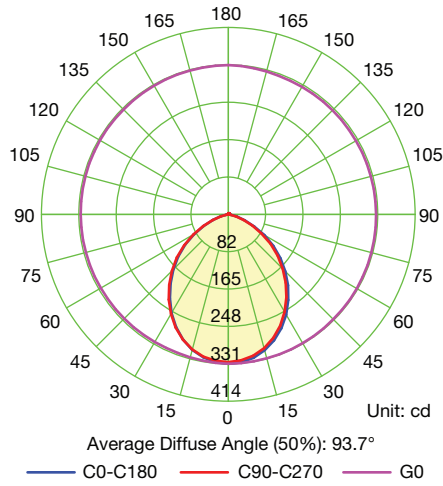


Photometric Data (5 CCT Selectable)

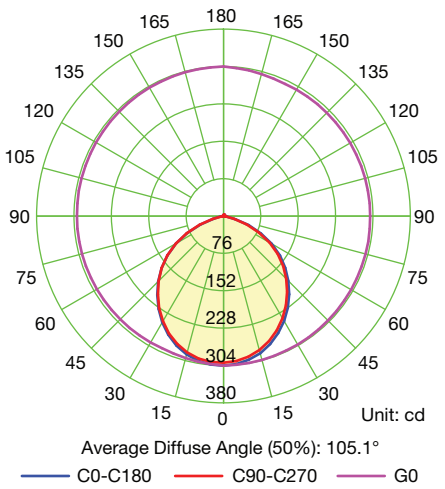
RT4 500lm



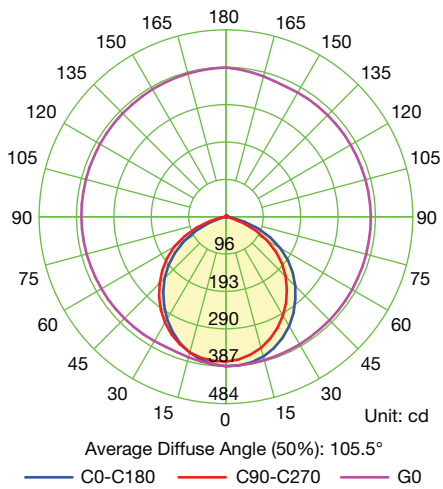
RT4 650lm



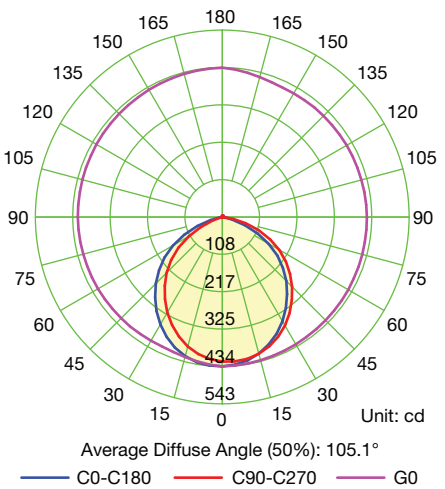
RT5/6 725lm



RT5/6 900lm



RT5/6 1200lm



LEDVANCE LLC
181 Ballardvale Street
Wilmington, MA 01887 USA
Phone 1-800-LIGHTBULB (1-800-544-4828)
www.ledvanceUS.com

SYLVANIA and LEDVANCE are registered trademarks.
All other trademarks are those of their respective owners.
Licensee of product trademark SYLVANIA in general lighting.
Specifications subject to change without notice.

