



KT-LED80HID-H-EX39-850-D /G3

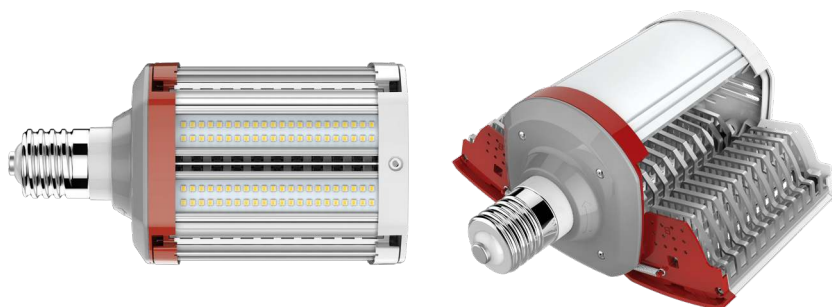
HID REPLACEMENT LED LAMP

DESCRIPTION

80W HID Replacement LED Lamp | 5000K | 85 CRI | IP64 Rated



LAMP TYPE: HID Replacement LED
BASE TYPE: EX39 (Mogul) Rotatable
WATTAGE: 80W
COLOR TEMPERATURE: 5000K
METAL HALIDE EQUIVALENT: 250W / 320W
COLOR RENDERING INDEX (CRI): 85
WARRANTY: 5 Years



PRODUCT FEATURES

- Replacement for conventional metal halide lamp
- Ideal for shoebox and canopy retrofit applications
- 50,000+ hour lifetime
- Environmentally friendly; No mercury used
- Instant startup
- UL Listed; listed on DLC QPL
- Optimized for horizontal applications with directional light output from opening LED assembly construction
- Operating temperature: -30°C to 60°C / -22°F to 140°F in enclosed fixture.*
- Exceeding 30°C / 86°F in fully enclosed fixtures will engage active cooling and power de-rating to ensure full product lifetime
- Integral driver, eliminates the need for external driver or ballast; includes 4kV surge protection
- IP64 Rated; integrated heat sink quickly dissipates heat and guides water intrusion out of the lamp
- Suitable for use in fully enclosed fixture. Minimum lamp compartment dimensions: 11in x 11in x 9.2in
- Do not use with standard dimmers. Not compatible with phase dimmers. Dimming functions with sensors only

*Lamp may enter SmartCooling mode in order to optimize lamp performance when fixture environmental ambient temperature reaches 35°C-45°C / 95°F-113°F, depending on the fixture type. During this condition, lamp power consumption and lumen output may be regulated up 20% less than standard operation.

OPERATING SPECIFICATIONS

ELECTRICAL CHARACTERISTICS

Input Voltage	Power Consumption	Power Factor	Input Current
120-277Vac	80W	>0.9	0.67A @ 120V 0.29A @ 277V

RATED LIFE

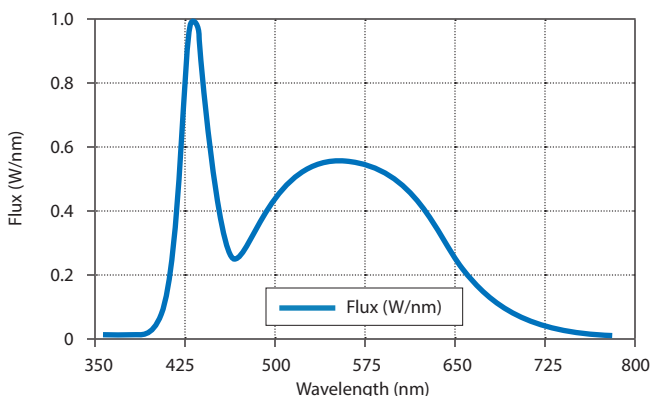
L70 (Hours)	50,000
-------------	--------

PHOTOMETRIC CHARACTERISTICS

Color Temperature (CCT)	5000K
Luminous Flux*	12000 lm
Color Rendering Index (CRI)	85
Efficacy	150 lm/W
Beam Angle	180°

* Based off of total lamp lumens

SPECTRAL DISTRIBUTION



SMART PORT LED
Low voltage AUX port for Smart Port LED sensors.





KT-LED80HID-H-EX39-850-D /G3

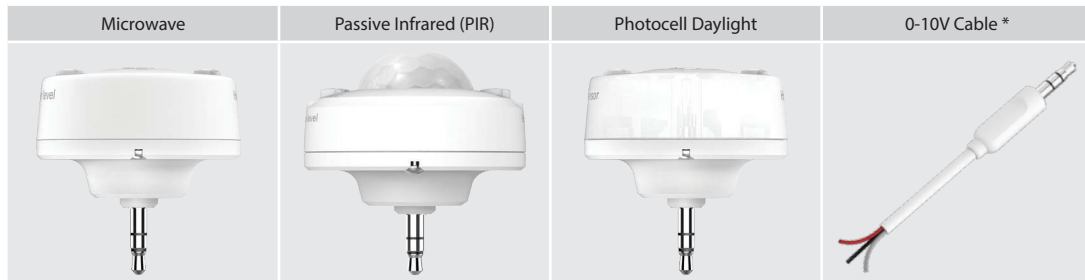
HID REPLACEMENT LED LAMP

SMART PORT LED



On the top of the lamp is a low-voltage AUX port for lamp level sensor controls.

SMART PORT LED AUX SENSORS



* For use with continuous dimming applications.

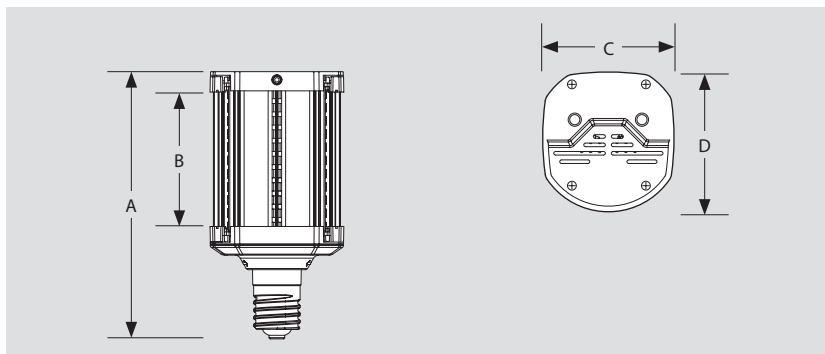
PHYSICAL CHARACTERISTICS

LAMP DIMENSIONS

Wings Closed

A (Body Length)	8.76"
B (Illuminated Length)	4.50"
C (Width)	4.39"
D (Height)	4.66"

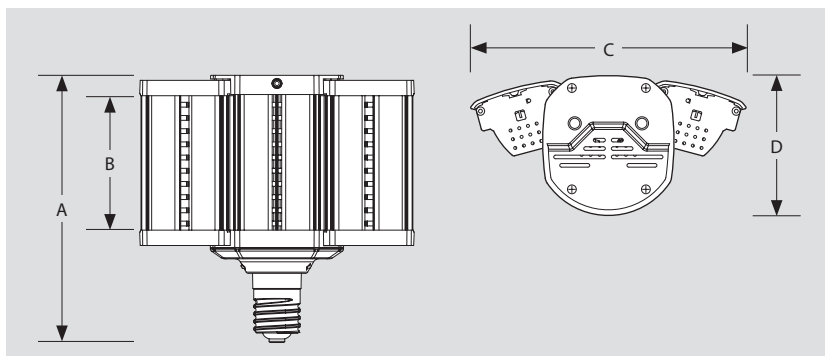
Base Type: EX39 (Mogul) Rotatable



Wings Open

A (Body Length)	8.76"
B (Illuminated Length)	4.50"
C (Width)	9.00"
D (Height)	4.66"

Base Type: EX39 (Mogul) Rotatable



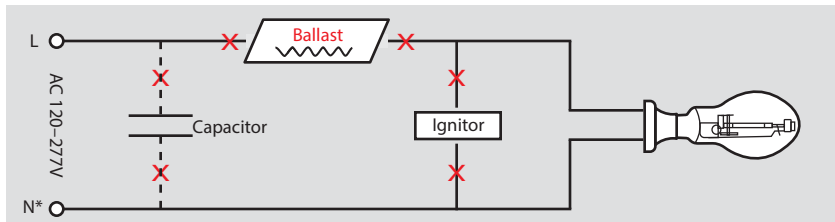


KT-LED80HID-H-EX39-850-D /G3 HID REPLACEMENT LED LAMP

WIRING INSTRUCTIONS

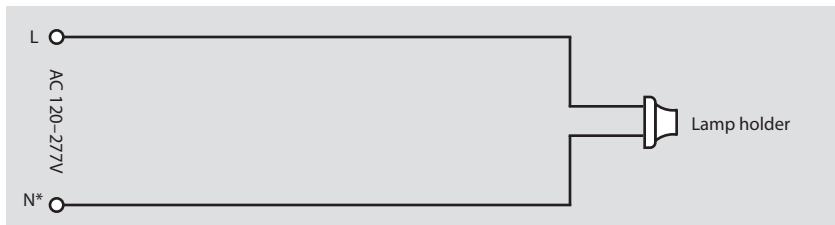
STEP 1

Disconnect power. Disconnect and remove existing ballast, capacitor, and/or ignitor (where applicable) from fixture.



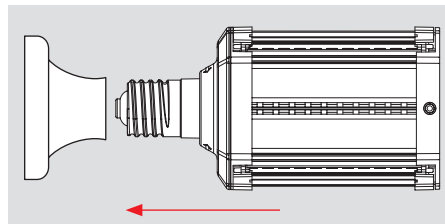
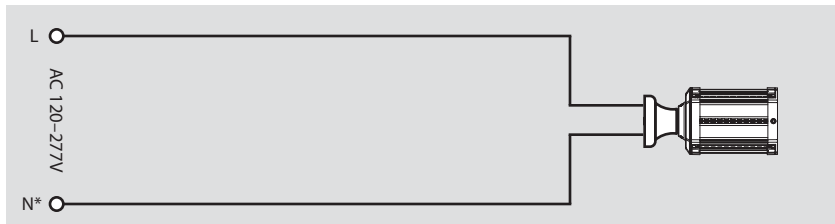
STEP 2

Rewire for line voltage to the lamp socket. Lamp is compatible with 120-277V from single phase, three phase wye, and three phase delta systems.



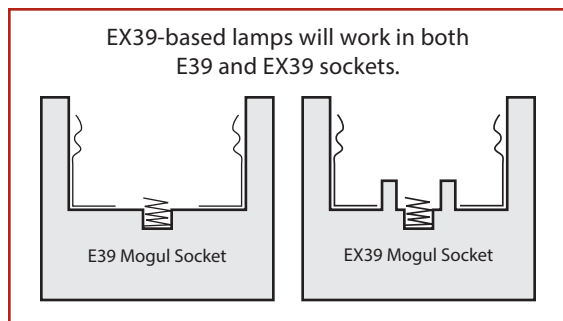
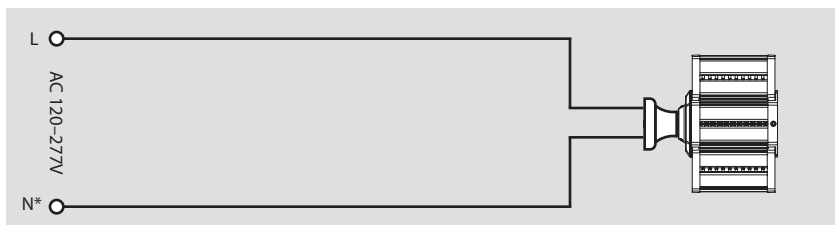
STEP 3

Install new LED replacement lamp. Ensure lamp is operating properly when power is turned on.



STEP 4

Rotate lamp base and open wings accordingly toward direction of desired lumination. Note: The lamp will not illuminate until wings are open



*or other line for certain three phase systems such as 120/208 three phase wye systems



KT-LED80HID-H-EX39-850-D /G3

HID REPLACEMENT LED LAMP

OPTIONAL ACCESSORIES

CATALOG NUMBER	DESCRIPTION
KTS-MW1-12V-AUX	SmartPort LED Microwave Occupancy sensor. On/Off with adjustable standby dimming level. 12V input, 3.5mm standard AUX port connection method
KTS-PIR1-12V-AUX	SmartPort LED PIR Occupancy sensor. On/Off with adjustable standby dimming level. 12V input, 3.5mm standard AUX port connection method
KTS-PS1-12V-AUX	SmartPort LED Photocell. On/Off with adjustable daylight threshold and timing. 12V input, 3.5mm standard AUX port connection method

ORDERING INFORMATION

ORDER CODE	PACK QTY.	UPC	EASY CODE	DLC PRODUCT ID
KT-LED80HID-H-EX39-850-D /G3-DP	16	843654123585	WFI-53	P0N37N00

CATALOG NUMBER BREAKDOWN

KT-LED80HID-H-EX39-850-D /G3

1 2 3 4 5 6 7 8 9 10 11

- 1 Keystone Technologies
- 2 LED Lamp
- 3 Wattage
- 4 Lamp Type
- 5 Horizontal Orientation
- 6 Base Type
- 7 800 Series
- 8 Color Temperature
- 9 Direct Drive Series
- 10 Third Generation
- 11 Sensor Options

11 Sensor Options

	No Option
/PIR	PIR Occupancy Sensor included
/MW	Microwave Occupancy Sensor included
/PS	Photocell Sensor Included



KT-LED80HID-H-EX39-850-D /G3

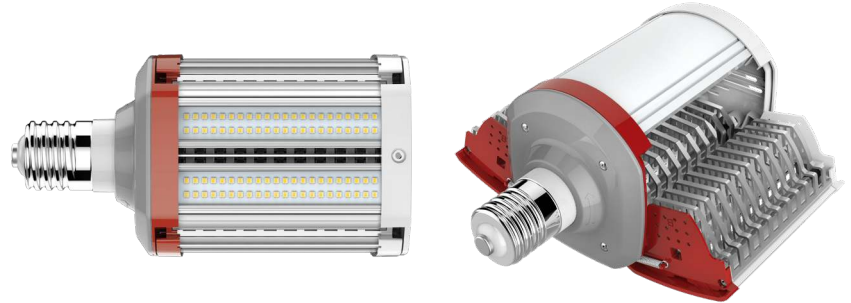
HID REPLACEMENT LED LAMP

DESCRIPTION

80W HID Replacement LED Lamp | 5000K | 85 CRI | IP64 Rated



LAMP TYPE: HID Replacement LED
BASE TYPE: EX39 (Mogul) Rotatable
WATTAGE: 80W
COLOR TEMPERATURE: 5000K
METAL HALIDE EQUIVALENT: 250W / 320W
COLOR RENDERING INDEX (CRI): 85
WARRANTY: 5 Years



PRODUCT FEATURES

- Replacement for conventional metal halide lamp
- Ideal for shoebox and canopy retrofit applications
- 50,000+ hour lifetime
- Environmentally friendly; No mercury used
- Instant startup
- UL Listed; listed on DLC QPL
- Optimized for horizontal applications with directional light output from opening LED assembly construction
- Operating temperature: -30°C to 60°C / -22°F to 140°F in enclosed fixture.*

- Exceeding 30°C / 86°F in fully enclosed fixtures will engage active cooling and power de-rating to ensure full product lifetime
- Integral driver, eliminates the need for external driver or ballast; includes 4kV surge protection
- IP64 Rated; integrated heat sink quickly dissipates heat and guides water intrusion out of the lamp
- Suitable for use in fully enclosed fixture. Minimum lamp compartment dimensions: 11in x 11in x 9.2in
- Do not use with standard dimmers. Not compatible with phase dimmers. Dimming functions with sensors only

*Lamp may enter SmartCooling mode in order to optimize lamp performance when fixture environmental ambient temperature reaches 35°C-45°C / 95°F-113°F, depending on the fixture type. During this condition, lamp power consumption and lumen output may be regulated up 20% less than standard operation.

OPERATING SPECIFICATIONS

ELECTRICAL CHARACTERISTICS

Input Voltage	Power Consumption	Power Factor	Input Current
120-277Vac	80W	>0.9	0.67A @ 120V 0.29A @ 277V

RATED LIFE

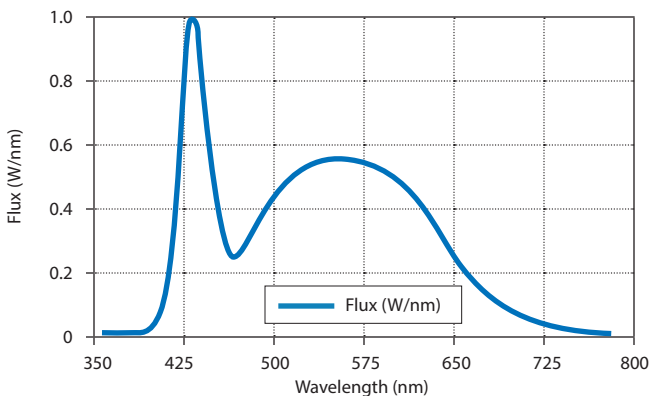
L70 (Hours)	50,000
-------------	--------

PHOTOMETRIC CHARACTERISTICS

Color Temperature (CCT)	5000K
Luminous Flux*	12000 lm
Color Rendering Index (CRI)	85
Efficacy	150 lm/W
Beam Angle	180°

* Based off of total lamp lumens

SPECTRAL DISTRIBUTION



SMART PORT LED
Low voltage AUX port for
Smart Port LED sensors.





KT-LED80HID-H-EX39-850-D /G3

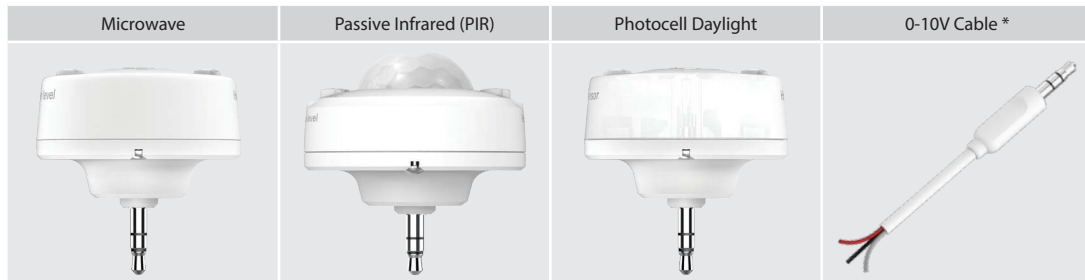
HID REPLACEMENT LED LAMP

SMART PORT LED



On the top of the lamp is a low-voltage AUX port for lamp level sensor controls.

SMART PORT LED AUX SENSORS



* For use with continuous dimming applications.

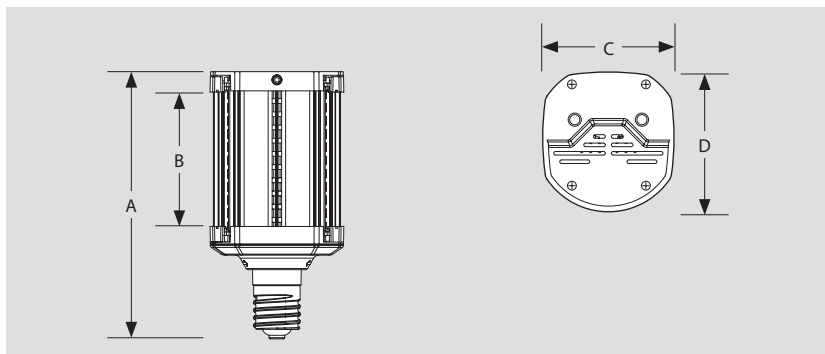
PHYSICAL CHARACTERISTICS

LAMP DIMENSIONS

Wings Closed

A (Body Length)	8.76"
B (Illuminated Length)	4.50"
C (Width)	4.39"
D (Height)	4.66"

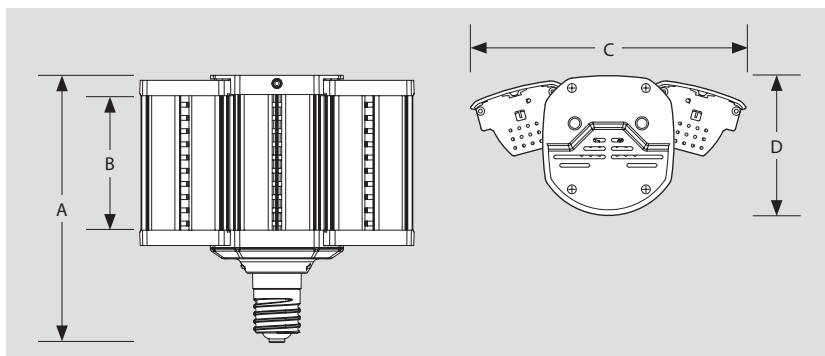
Base Type: EX39 (Mogul) Rotatable



Wings Open

A (Body Length)	8.76"
B (Illuminated Length)	4.50"
C (Width)	9.00"
D (Height)	4.66"

Base Type: EX39 (Mogul) Rotatable



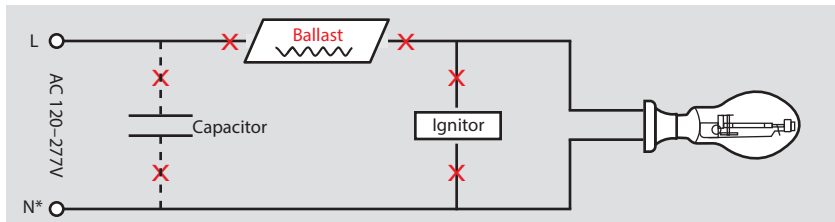


KT-LED80HID-H-EX39-850-D /G3 HID REPLACEMENT LED LAMP

WIRING INSTRUCTIONS

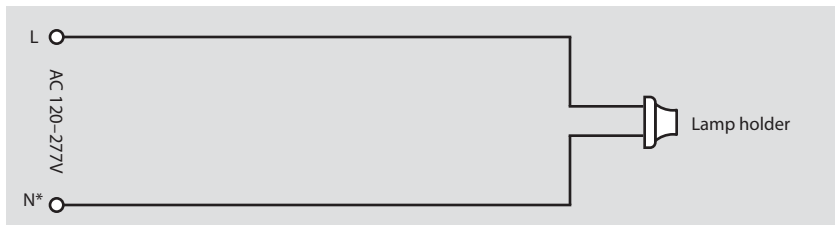
STEP 1

Disconnect power. Disconnect and remove existing ballast, capacitor, and/or ignitor (where applicable) from fixture.



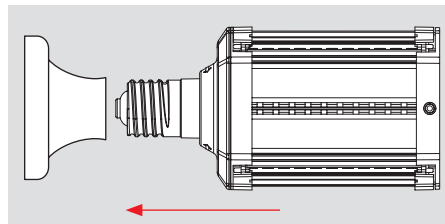
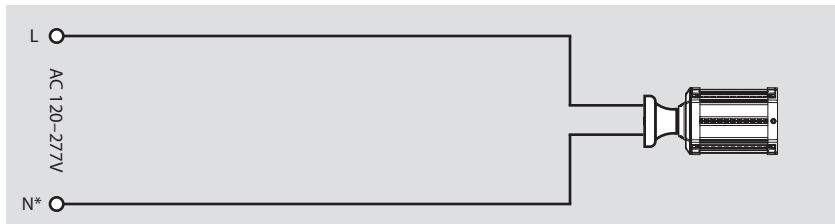
STEP 2

Rewire for line voltage to the lamp socket. Lamp is compatible with 120-277V from single phase, three phase wye, and three phase delta systems.



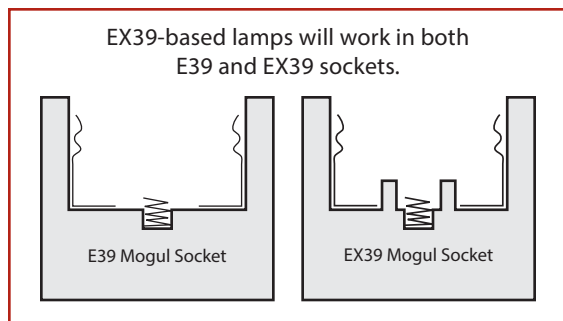
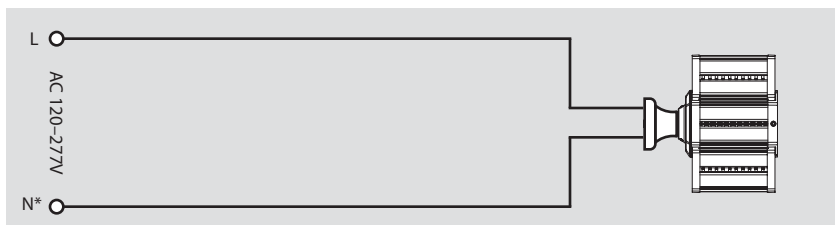
STEP 3

Install new LED replacement lamp. Ensure lamp is operating properly when power is turned on.



STEP 4

Rotate lamp base and open wings accordingly toward direction of desired lumination. Note: The lamp will not illuminate until wings are open



*or other line for certain three phase systems such as 120/208 three phase wye systems



KT-LED80HID-H-EX39-850-D /G3

HID REPLACEMENT LED LAMP

OPTIONAL ACCESSORIES

CATALOG NUMBER	DESCRIPTION
KTS-MW1-12V-AUX	SmartPort LED Microwave Occupancy sensor. On/Off with adjustable standby dimming level. 12V input, 3.5mm standard AUX port connection method
KTS-PIR1-12V-AUX	SmartPort LED PIR Occupancy sensor. On/Off with adjustable standby dimming level. 12V input, 3.5mm standard AUX port connection method
KTS-PS1-12V-AUX	SmartPort LED Photocell. On/Off with adjustable daylight threshold and timing. 12V input, 3.5mm standard AUX port connection method

ORDERING INFORMATION

ORDER CODE	PACK QTY.	UPC	EASY CODE	DLC PRODUCT ID
KT-LED80HID-H-EX39-850-D /G3-DP	16	843654123585	WFI-53	P0N37N00

CATALOG NUMBER BREAKDOWN

KT-LED80HID-H-EX39-850-D /G3

1 2 3 4 5 6 7 8 9 10 11

- 1 Keystone Technologies
- 2 LED Lamp
- 3 Wattage
- 4 Lamp Type
- 5 Horizontal Orientation
- 6 Base Type
- 7 800 Series
- 8 Color Temperature
- 9 Direct Drive Series
- 10 Third Generation
- 11 Sensor Options

11 Sensor Options

	No Option
/PIR	PIR Occupancy Sensor included
/MW	Microwave Occupancy Sensor included
/PS	Photocell Sensor Included