

**SKU (USA)**  
**LED-8089M40**  
**LED-8089M50**

**SKU (Canada)**  
**LED-8089M40C**  
**LED-8089M50C**

**Description**  
**80W 4000K**  
**80W 5000K**

**Notes:**

1. Before beginning installation of LED for HID lamp, please read the complete instructions list below. Keep this document for future reference
2. To avoid possible electric shock, power supply must be turned off at fuse box or circuit breaker before installing or servicing.
3. Dropping, over torqueing screw base or impacting lamp during installation may cause damage and may void warranty.
4. Risk of Fire: High voltage wiring connecting the fixture must have a temperature rated minimum of 194°F.
5. Before installation of any LED for HID model into existing HID fixture, check your local electrical code. This code sets wiring standards for your area and should carefully studied before starting installation
6. Protect the lamp from dust and dirt, clean with soft damp cloth only, do not use chemical cleaners.
7. Ensure that outdoor fixture is sealed per manufacturers recommendations to reduce dust and insects from gaining entry.
8. When installing LED-8000 series retrofit lamps within HID fixtures, ballast must be bypassed when present.
9. 8000 series retrofits are UL damp rated, sealing the fixtures after installation will deliver best results.
10. Installing surge/lightning protectors is highly recommended and helps to eliminate premature driver failure caused by surges and other power fluctuations.
11. The recessed luminaire can not use with through-branch wiring.

**Contents:**

- 1 PCS LED Retrofit lamp**
- 1 PCS Re-lamping label**
- 1 PCS Instruction/ Installation Manual**

REQUIREMENTS		
Input Voltage:	USA	Canada
	120-277VAC	120-347VAC
Frequency:	50/60Hz	
Base:	E39 Mogul	
Approved Housings:	Recessed	
	Open (indoor)	
Min. Housing Size: (Inches)		
Height:	12"	
Diameter:	5.5"	



**IMPORTANT SAFETY INSTRUCTIONS FOR LED RETROFIT CONVERSION:**

FOR USE ONLY WITH HID LUMINAIRES IN ACCORDANCE WITH THE INSTRUCTIONS PROVIDED WITH THIS RETROFIT KIT.

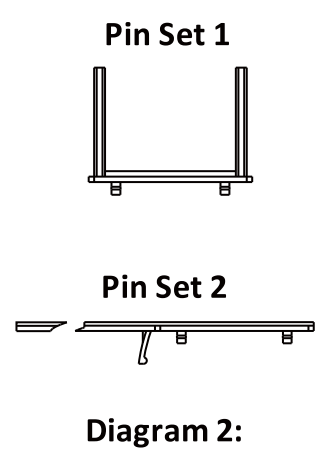
- ⚠ WARNING - RISK OF FIRE OR ELECTRICAL SHOCK.** LED retrofit kit installation requires knowledge of luminaires electrical systems. If not qualified, do not attempt installation. Contact a qualified electrician.
- ⚠ WARNING - RISK OF FIRE OR ELECTRICAL SHOCK.** Install this kit only in the luminaires that have the construction features and dimensions shown in the photographs and/or drawings and where the input rating of the retrofit kit does not exceed the input rating of the luminaire.
- ⚠ WARNING** - Do not make or alter any open holes in an enclosure of wiring or electrical components during kit installation.
- ⚠ WARNING** - To prevent wiring damage or abrasion, do not expose wiring to sharp edges of housing or other sharp surface.
- ⚠ WARNING** - Not for use with HID ballast, 120-277VAC(USA)/120-347VAC(Canada) direct line voltage only.

**THIS DEVICE IS NOT INTENDED FOR USE WITH EMERGENCY EXITS.**

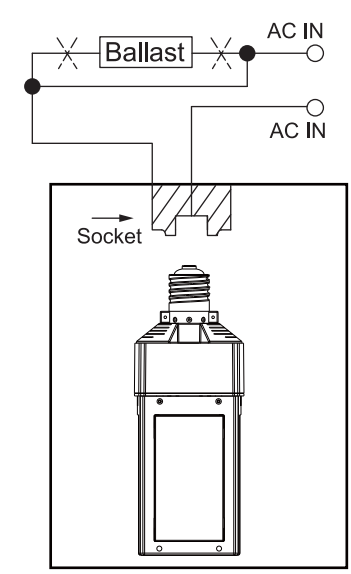
SKU (USA)	SKU (Canada)	Description
LED-8089M40	LED-8089M40C	80W 4000K
LED-8089M50	LED-8089M50C	80W 5000K

**Installation:**

- Step 1:** Disconnect Electrical Power to fixture.
- Step 2:** Remove or wire past the ballast where applicable.
- Step 3:** Connect the two common wires from the power source directly to the corresponding leads to the socket. **NOTE:** The screw of the lamp holder shall be connected to the **NEUTRAL** wire (white or gray)
- Step 4:** Attach the retrofit lamp to the female socket of the existing luminaire. To avoid damaging lamp do not over-torque or overtighten lamp. The E39 mogul female lamp holder should have suitable mounting strength to securely hold lamp in place.
- Step 5:** Align lamp in housing by holding base clamp (see diagram) while de-rotating lamp body until desired aim point is achieved.
- Step 6:** Tighten one of two screw located on base clamp to lock lamp rotation.
- Step 7:** Plastic Alignment pins: Lamp is supplied with two sets of alignment pins that can be used to keep lamp from sagging in some lamp holders. **Pin Set 1 for "face down" installations:** Use in pole mounted parking lot and canopy fixtures. Push in both pins and trim length by cutting plastic pin with wire cutters. Tips if pins should rest against inside of fixture with housing door closed. **Pin Set 2 for Wall pack installations:** Push on pin so that pin tip rests against bottom of housing. When trimmed correctly lamp should be aligned with fixture opening.
- Step 8:** Apply the silver adhesive label to the inside of the luminaire where it will be visible during re-lamping.
- Step 9:** Turn on electrical power to the fixture.



**Socket Wiring Diagram  
By Voltage Type**



1.变更了部分内容。

备注：  1.加拿大与美国说明书共用。 2.说明书字体清晰，图案清晰。 3.说明书共两页。	物料名称：	LED-8089M&LED-8089MC说明书				
	画图：	陈泽鑫	日期：	2014-11-08	尺寸：	
	审核：		日期：		材质：	80g铜版纸，彩色印刷
	图号：		版本：	<b>V0</b>	PO号：	
	惠州桑尼伟太阳能科技有限公司					