

# LEDlescent™ CURVALUME® LED T8 U-bend Ballast-Free Lamps

Energy saving replacement for 32W T8 U-bend fluorescent lamps



- SYLVANIA LEDlescent CURVALUME LED T8 U-bend Ballast-Free lamps are a lightweight, energy saving alternative to replace traditional fluorescent T8 U-bend lamps by bypassing the existing ballast.
- Reduced energy usage saves operational costs, resulting in attractive payback time.
- These T8 U-bend Ballast-Free lamps provide instant light and a uniform light distribution.
- Easiest way to upgrade to LED technology.
- Engineered to operate directly on 120-277V, these lamps minimize labor and recycling costs.
- When installing the LEDlescent T8 U-bend lamps, the UL rating of the existing fixture is not voided (even when it is electrically modified), since our LEDlescent T8 U-bend lamp is UL Classified (as a luminaire conversion retrofit kit) under UL standard 1598C.
- UL 1598C standard covers LED retrofits intended for an existing UL rated fixture. Since the user is retrofitting with a UL 1598C classified LED kit, the installer must follow the installation instructions included with the lamps for the modified fixture to retain its UL rating.
- The full product family offering, in multiple color temperatures, covers a wide variety of applications.

## Application Information

### Applications

- Education
- General illumination
- Hospitality
- Office
- Retail spaces

### Key Features & Benefits

- Installed directly on 120-277V; no ballast required
- CCT: 3000K, 3500K, 4100K & 5000K
- Long life: 50,000 hour life (L<sub>70</sub>)
- 5 year limited lamp warranty (24/7 operation)
- Non-dimmable
- Power factor 0.9
- CRI: 80+
- G13 medium bi-pin base
- Long life lowers maintenance costs
- No warm-up time, instant-on with full light output and stable lamp to lamp color
- Suitable for dry and damp locations (cannot come in direct contact with water)
- Maximize energy savings with occupancy sensors
- For use with shunted and non-shunted sockets, therefore no socket change is needed
- Double ended platform where lamp is wired end-to-end preventing non-passive failure of a fluorescent lamp should it be inadvertently installed in the fixture

### Product Offering

Description	Color Temperature	CRI
15W LEDlescent T8 U-bend	3000K, 3500K, 4100K, 5000K	82

### Specifications and Certifications



## Specification Data

Catalog #	Type
Project	
Comments	
Prepared by	

## Specifications

### Energy Data

**Ambient Operating Temperature:** -4°F to 113°F (-20°C to 45°C)

**EMI/RFI:** FCC Title 47 CFR, Part 15, Subpart B Class B

**Max Case Temperature:** 140°F (60°C)

### Lighting Data

**Lumen Output:** See specification table

**Lumens per Watt:** Up to 140

**Correlated Color Temperature (CCT):** 3000K, 3500K, 4100K, 5000K

**Color Rendering Index (CRI):** 82

## Ordering Information

Item Number	Ordering Abbreviation	Input Voltage	Lamp Power (W)	Lamp Lumens (lm)	Color Temperature (CCT)	CRI	Package Quantity
40613	LED15T8/U/FP/835/BF	120-277V	15	2000	3500K	82	10
40614	LED15T8/U/FP/841/BF	120-277V	15	2100	4100K	82	10
40615	LED15T8/U/FP/850/BF	120-277V	15	2100	5000K	82	10

## Ordering Guide

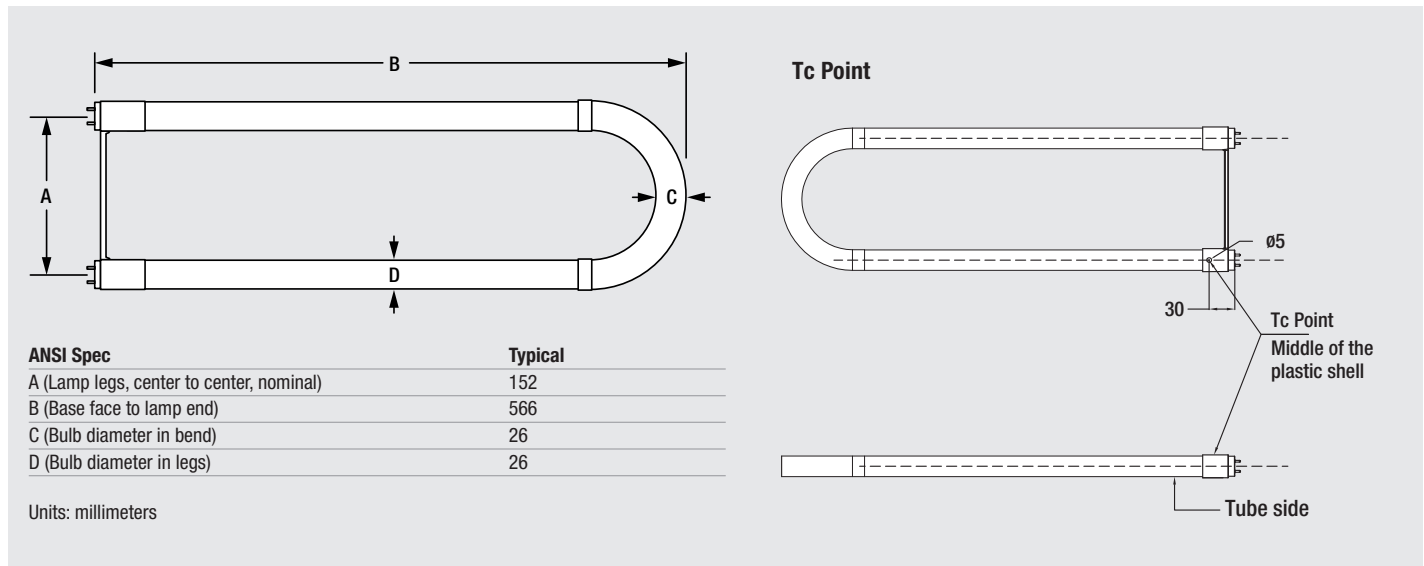
LED	15	T8	/	U	/	FP	/	8	XX	/	BF
LED	Wattage	Lamp Type		Shape U-bend		Frosted Plastic		CRI = 82	Color Temperature 30 = 3000K 35 = 3500K 41 = 4100K 50 = 5000K		LEDlescent™ T8 U-bend

## Application Information

### Application Notes

1. All installation, inspection, and maintenance of lighting fixtures should be done with the power to the fixture turned off. Lamps should be installed and operated in compliance with the National Electrical Code (NEC), Underwriters Laboratories Inc. (UL) requirements, and all applicable codes and regulations.
2. Ensure lamp holders/sockets are in good operating condition before installation.
3. Sockets may be shunted or non-shunted. Tie socket leads together for non-shunted sockets as instructed in installation guide.
4. Not for emergency lighting.
5. Not to be used with dimmers.
6. LEDlescent is compatible with Philips Bodine ELI-S-20 Emergency Lighting Inverters and IOTA inverter models IIS-25-I, IIS-35-I, IIS-50-1, IIS125, IIS-375, IIS-550.
7. Do not use LEDlescent T8 U-bend lamps with external LED drivers or ballasts.
8. To prevent wiring damage or abrasion, do not expose wiring to edges of sheet metal or other sharp objects. Do not make or alter any open holes in an enclosure of wiring or electrical components during kit installation.
9. Suitable for use in dry and damp environments.
10. Please read and comply with all instructions before attempting inspection, service or installation.
11. For detailed warranty information, please see [www.ledvanceUS.com](http://www.ledvanceUS.com).

## Lamp Dimensions



## Warranty

LEDiescent™ T8 U-bend Ballast-Free lamps are covered by the T8 U-bend Lamp Limited Warranty. For additional details, please visit [www.ledvanceUS.com/warranty](http://www.ledvanceUS.com/warranty).

LEDVANCE LLC  
 181 Ballardvale Street, Suite 203  
 Wilmington, MA 01887 USA  
 Phone 1-800-LIGHTBULB (1-800-544-4828)  
[www.ledvanceUS.com](http://www.ledvanceUS.com)

SYLVANIA and LEDVANCE are registered trademarks.  
 All other trademarks are those of their respective owners.  
 Licensee of product trademark SYLVANIA in general lighting.  
 Specifications subject to change without notice.

 /sylvania  /sylvania

