

Contractor Series LED Reflector Lamps

11,000 Hour Life



Key Features & Benefits

- Dimmable down to 10%*
- Rated life: up to 11,000 hours (L₇₀)
- Damp location rated
- 2700K, 3000K, 3500K, 4000K and 5000K color temperature options
- Good color quality
- Lightweight
- Energy savings up to 86%
- Longer life than traditional incandescent lamps
- No warm-up time, instant on with full light output and stable color
- Smooth heat sink design

*Performance may vary depending on dimmer used in application. Please refer to Dimmer Compatibility List (RETRO-DIM) for a list of compatible dimmers or visit www.ledvanceUS.com/LEDRetrofit



Rated up to 11,000 hours at 70% lumen maintenance, Contractor Series LED reflector lamps offer years of service and reduce energy and maintenance costs. Contractor Series LED reflector lamps are environmentally preferred products. They are RoHS compliant and contain no mercury, lead or other hazardous materials. They emit no UV or IR radiation. A CRI of 80+ ensures good color definition. Available in warm white 2700K CCT, white 3000K CCT, bright white 3500K CCT, cool white 4000K CCT and daylight 5000K CCT, these lamps offer a great value in both homes and businesses.

Product Offering

Ordering Abbreviation	Wattage	Typical Lumens	Color Temperature
R20 LED	5	325	2700K, 3000K, 3500K, 4000K & 5000K
BR30 LED	8	650	2700K, 3000K, 3500K & 5000K
BR30 LED	9	650	4000K
BR40 LED	12	900	2700K, 3000K, 5000K
BR40 LED	13	1050	4000K

Application Information

Applications

- General lighting
- Recessed downlights
- Track lighting
- Wall washer

Market Segments

- Art galleries
- Hospitality
- Museums
- Offices
- Residential
- Restaurants
- Retail

Application Notes

1. Operating temperature -4°F to +104°F (-20°C to +40°C)
2. Not for use with emergency light fixtures or exit lights
3. Use in open fixture
4. Suitable for outdoor use in UL rated fixtures where protected from the weather

This device complies with part 15 of the FCC Rules. Operation is subject to the following two conditions: (1) This device may not cause harmful interference, and (2) this device must accept any interference received, including interference that may cause undesired operation. For FCC Part 15 user information, please see www.ledvanceUS.com/fcc15b



Catalog #	Type
Project	
Comments	
Prepared by	

Ordering Guide

LED	XX	BR30	/	DIM	/	8	XX	/	10YV	/	RP2
LED Lamps and Retrofits	Wattage: 5 = 5 watts 8 = 8 watts 9 = 9 watts 12 = 12 watts 13 = 13 watts	Lamp Type: BR30		Dimmable		CRI = 80	Color Temperature 27 = 2700K 30 = 3000K 35 = 3500K 40 = 4000K 50 = 5000K		11,000 Hours Life		Retail 2 Pack

Ordering Information

Item Number	Ordering Abbreviation	Wattage (W)	Base Type	Replaces	Input Voltage (V)	Average Rated Life (hrs.) ¹	CCT ²	Typical Lumens (lm) ³	CRI ⁴	Power Factor	ENERGY STAR [®]
73993	LED5R20/DIM/827/10YVRP2	5	Medium	35W	120	11,000	2700K	325	80	0.7	No
40339	LED5R20/DIM/830/10YV/RP2	5	Medium	35W	120	11,000	3000K	325	80	0.7	No
78030	LED5R20/DIM/835/10YVRP2	5	Medium	35W	120	11,000	3500K	325	80	0.7	No
41117	LED5R20/DIM/840/10YVRP2	5	Medium	35W	120	11,000	4000K	325	80	0.7	No
73991	LED5R20/DIM/850/10YVRP2	5	Medium	35W	120	11,000	5000K	325	80	0.7	No
73954	LED8BR30/DIM/827/10YV/RP2	8	Medium	65W	120	11,000	2700K	650	80	0.7	No
40337	LED8BR30/DIM/830/10YV/RP2	8	Medium	65W	120	11,000	3000K	650	80	0.7	No
78029	LED8BR30/DIM/835/10YVRP2	8	Medium	65W	120	11,000	3500K	650	80	0.7	No
73956	LED8BR30/DIM/850/10YV/RP2	8	Medium	65W	120	11,000	5000K	650	80	0.7	No
41103	LED9BR30/DIM/840/10YVRP2	9	Medium	65W	120	11,000	4000K	650	80	0.7	No
79498	LED12BR40/DIM/827/10YVRP2	12	Medium	85W	120	11,000	2700K	900	80	0.7	No
40338	LED12BR40/DIM/830/10YV/RP2	12	Medium	85W	120	11,000	3000K	900	80	0.7	No
79624	LED12BR40/DIM/850/10YVRP2	12	Medium	85W	120	11,000	5000K	1050	80	0.7	No
41108	LED13BR40/DIM/840/10YVRP2	13	Medium	85W	120	11,000	4000K	900	80	0.7	No

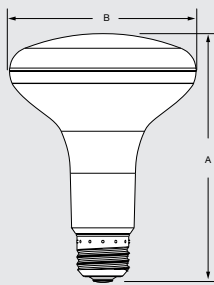
1. Hours lifetime with 70% lumen maintenance
 2. Thermally stable typical CCT (±10%)
 3. Thermally stable typical lumens (±10%)
 4. CRI – Color Rendering Index

Energy Savings

Basic Product Description	LED Life (hrs)	Similar Incandescent	Incandescent Lumens	Watts Saved	Energy Savings	LED Life vs Incandescent
LED 5W R20	11,000	35WR20	330	30	\$36.00	4.4x
LED 9W BR30	11,000	65WBR30	610	56	\$68.00	4.4x
LED 13W BR40	11,000	85WBR40	1068	72	\$87.00	4.4x

Lamp Dimensions

	(A) MOL inches	(B) Diameter inches
LED R20	3.75	2.63
LED BR30	5.00	3.74
LED BR40	6.25	4.88



The diagram shows a side view of a light bulb with a standard screw base. Dimension 'A' is a vertical line indicating the total height of the bulb from the top of the glass to the bottom of the base. Dimension 'B' is a horizontal line indicating the maximum diameter of the bulb's glass body.

LEDVANCE LLC
181 Ballardvale Street, Suite 203
Wilmington, MA 01887 USA
Phone 1-800-LIGHTBULB (1-800-544-4828)
www.ledvanceUS.com

SYLVANIA and LEDVANCE are registered trademarks.
All other trademarks are those of their respective owners.
Licensee of product trademark SYLVANIA in general lighting.
Specifications subject to change without notice.

 [/sylvania](https://twitter.com/sylvania)  [/sylvania](https://facebook.com/sylvania)



Contractor Series LED Reflector Lamps

11,000 Hour Life



Key Features & Benefits

- Dimmable down to 10%*
- Rated life: up to 11,000 hours (L₇₀)
- Damp location rated
- 2700K, 3000K, 3500K, 4000K and 5000K color temperature options
- Good color quality
- Lightweight
- Energy savings up to 86%
- Longer life than traditional incandescent lamps
- No warm-up time, instant on with full light output and stable color
- Smooth heat sink design

*Performance may vary depending on dimmer used in application. Please refer to Dimmer Compatibility List (RETRO-DIM) for a list of compatible dimmers or visit www.ledvanceUS.com/LEDRetrofit



Rated up to 11,000 hours at 70% lumen maintenance, Contractor Series LED reflector lamps offer years of service and reduce energy and maintenance costs. Contractor Series LED reflector lamps are environmentally preferred products. They are RoHS compliant and contain no mercury, lead or other hazardous materials. They emit no UV or IR radiation. A CRI of 80+ ensures good color definition. Available in warm white 2700K CCT, white 3000K CCT, bright white 3500K CCT, cool white 4000K CCT and daylight 5000K CCT, these lamps offer a great value in both homes and businesses.

Product Offering

Ordering Abbreviation	Wattage	Typical Lumens	Color Temperature
R20 LED	5	325	2700K, 3000K, 3500K, 4000K & 5000K
BR30 LED	8	650	2700K, 3000K, 3500K & 5000K
BR30 LED	9	650	4000K
BR40 LED	12	900	2700K, 3000K, 5000K
BR40 LED	13	1050	4000K

Application Information

Applications

- General lighting
- Recessed downlights
- Track lighting
- Wall washer

Market Segments

- Art galleries
- Hospitality
- Museums
- Offices
- Residential
- Restaurants
- Retail

Application Notes

1. Operating temperature -4°F to +104°F (-20°C to +40°C)
2. Not for use with emergency light fixtures or exit lights
3. Use in open fixture
4. Suitable for outdoor use in UL rated fixtures where protected from the weather

This device complies with part 15 of the FCC Rules. Operation is subject to the following two conditions: (1) This device may not cause harmful interference, and (2) this device must accept any interference received, including interference that may cause undesired operation. For FCC Part 15 user information, please see www.ledvanceUS.com/fcc15b



Catalog #	Type
Project	
Comments	
Prepared by	

Ordering Guide

LED	XX	BR30	/	DIM	/	8	XX	/	10YV	/	RP2
LED Lamps and Retrofits	Wattage: 5 = 5 watts 8 = 8 watts 9 = 9 watts 12 = 12 watts 13 = 13 watts	Lamp Type: BR30		Dimmable		CRI = 80	Color Temperature 27 = 2700K 30 = 3000K 35 = 3500K 40 = 4000K 50 = 5000K		11,000 Hours Life		Retail 2 Pack

Ordering Information

Item Number	Ordering Abbreviation	Wattage (W)	Base Type	Replaces	Input Voltage (V)	Average Rated Life (hrs.) ¹	CCT ²	Typical Lumens (lm) ³	CRI ⁴	Power Factor	ENERGY STAR [®]
73993	LED5R20/DIM/827/10YVRP2	5	Medium	35W	120	11,000	2700K	325	80	0.7	No
40339	LED5R20/DIM/830/10YV/RP2	5	Medium	35W	120	11,000	3000K	325	80	0.7	No
78030	LED5R20/DIM/835/10YVRP2	5	Medium	35W	120	11,000	3500K	325	80	0.7	No
41117	LED5R20/DIM/840/10YVRP2	5	Medium	35W	120	11,000	4000K	325	80	0.7	No
73991	LED5R20/DIM/850/10YVRP2	5	Medium	35W	120	11,000	5000K	325	80	0.7	No
73954	LED8BR30/DIM/827/10YV/RP2	8	Medium	65W	120	11,000	2700K	650	80	0.7	No
40337	LED8BR30/DIM/830/10YV/RP2	8	Medium	65W	120	11,000	3000K	650	80	0.7	No
78029	LED8BR30/DIM/835/10YVRP2	8	Medium	65W	120	11,000	3500K	650	80	0.7	No
73956	LED8BR30/DIM/850/10YV/RP2	8	Medium	65W	120	11,000	5000K	650	80	0.7	No
41103	LED9BR30/DIM/840/10YVRP2	9	Medium	65W	120	11,000	4000K	650	80	0.7	No
79498	LED12BR40/DIM/827/10YVRP2	12	Medium	85W	120	11,000	2700K	900	80	0.7	No
40338	LED12BR40/DIM/830/10YV/RP2	12	Medium	85W	120	11,000	3000K	900	80	0.7	No
79624	LED12BR40/DIM/850/10YVRP2	12	Medium	85W	120	11,000	5000K	1050	80	0.7	No
41108	LED13BR40/DIM/840/10YVRP2	13	Medium	85W	120	11,000	4000K	900	80	0.7	No

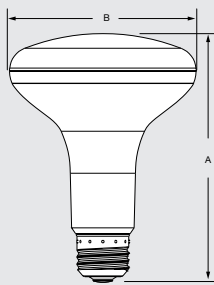
1. Hours lifetime with 70% lumen maintenance
 2. Thermally stable typical CCT (±10%)
 3. Thermally stable typical lumens (±10%)
 4. CRI – Color Rendering Index

Energy Savings

Basic Product Description	LED Life (hrs)	Similar Incandescent	Incandescent Lumens	Watts Saved	Energy Savings	LED Life vs Incandescent
LED 5W R20	11,000	35WR20	330	30	\$36.00	4.4x
LED 9W BR30	11,000	65WBR30	610	56	\$68.00	4.4x
LED 13W BR40	11,000	85WBR40	1068	72	\$87.00	4.4x

Lamp Dimensions

	(A) MOL inches	(B) Diameter inches
LED R20	3.75	2.63
LED BR30	5.00	3.74
LED BR40	6.25	4.88



The diagram shows a side view of a light bulb with a screw base. Dimension (A) is the Maximum Overall Length (MOL) from the top of the bulb to the bottom of the base. Dimension (B) is the diameter of the widest part of the bulb's body.

LEDVANCE LLC
181 Ballardvale Street, Suite 203
Wilmington, MA 01887 USA
Phone 1-800-LIGHTBULB (1-800-544-4828)
www.ledvanceUS.com

SYLVANIA and LEDVANCE are registered trademarks.
All other trademarks are those of their respective owners.
Licensee of product trademark SYLVANIA in general lighting.
Specifications subject to change without notice.

 [/sylvania](https://twitter.com/sylvania)  [/sylvania](https://facebook.com/sylvania)

