

ULTRA LED™ HO Reflector Lamps

Rated up to 25,000 hours at 70% lumen maintenance, the SYLVANIA ULTRA HO LED bulbous reflector lamp offer years of service and reduce energy and maintenance costs. SYLVANIA LED lamps are environmentally preferred products. They are RoHS compliant, contain no mercury, lead or other hazardous materials. They emit no UV or IR radiation that can cause fading and discoloration of fabric or artwork. The 80+ CRI ensures greater color definition and can be used in many applications, both homes and businesses. These lamps are offered in 2700K, 3000K, 4000K and 5000K color temperatures.

Key Features & Benefits

- Dimmable down to 10%*
- Available in 2700K, 3000K, 4000K and 5000K color temperatures
- Long life up to 25,000 hours (L₇₀)
- UV and IR free
- Mercury and lead free
- RoHS compliant
- Energy savings up to 90%

Application Information

Applications

- General lighting
- Recessed downlights
- Track lighting
- Wall washers

Market Segments

- Art galleries
- Hospitality
- Museums
- Offices
- Residential
- Restaurants
- Retail

Application Notes

1. Only install in operating temperature -4°F to +104°F (-20°C to +40°C).
2. This device is not intended for use with emergency exits.
3. Not for use in totally enclosed fixtures.
4. Suitable for damp locations. Not for use where directly exposed to water.



Product Offering

| Ordering Abbreviation | Wattage | Color Temperature |
|-----------------------|---------|----------------------------|
| LEDR20 | 7 | 2700K, 5000K |
| LEDBR30 | 9 | 2700K, 3000K, 4000K, 5000K |
| LEDBR40 | 13 | 2700K, 3000K, 4000K, 5000K |

This device complies with part 15 of the FCC Rules. Operation is subject to the following two conditions: (1) This device may not cause harmful interference, and (2) this device must accept any interference received, including interference that may cause undesired operation. For FCC Part 15 user information, please see www.ledvanceUS.com/fcc15b

* Performance may vary depending on dimmer used in application. Please refer to Dimmer Compatibility List (RETRO-DIM) for a list of compatible dimmers or visit www.ledvanceUS.com/LEDretrofit



| | |
|-------------|------|
| Catalog # | Type |
| Project | |
| Comments | |
| Prepared by | |

Ordering Information

| Item Number | Ordering Abbreviation | Wattage (W) | Base Type | Replaces | Input Voltage (V) | Average Rated Life (hrs.) | CCT | Typical Lumens (lm) | CRI | Power Factor |
|-------------|---------------------------------------|-------------|-----------|----------|-------------------|---------------------------|-------|---------------------|-----|--------------|
| 40462 | LED7R20/DIM/HO/827/G6/RP 6/CS 1/SKU | 7 | Medium | 50WR20 | 120 | 25,000 | 2700K | 525 | 80 | .95 |
| 40463 | LED7R20/DIM/HO/850/G6/RP 6/CS 1/SKU | 7 | Medium | 50WR20 | 120 | 25,000 | 5000K | 550 | 80 | .95 |
| 40460 | LED9BR30/DIM/HO/827/G6/RP 6/CS 1/SKU | 9 | Medium | 65WBR30 | 120 | 25,000 | 2700K | 800 | 80 | .97 |
| 41111 | LED9BR30/DIM/HO/830/G6/RP 6/CS 1/SKU | 9 | Medium | 65WBR30 | 120 | 25,000 | 3000K | 800 | 80 | .95 |
| 41112 | LED9BR30/DIM/HO/840/G6/RP 6/CS 1/SKU | 9 | Medium | 65WBR30 | 120 | 25,000 | 4000K | 800 | 80 | .95 |
| 40461 | LED9BR30/DIM/HO/850/G6/RP 6/CS 1/SKU | 9 | Medium | 65WBR30 | 120 | 25,000 | 5000K | 850 | 80 | .95 |
| 40458 | LED13BR40/DIM/HO/827/G6/RP 6/CS 1/SKU | 13 | Medium | 85WBR40 | 120 | 25,000 | 2700K | 1100 | 80 | .97 |
| 41109 | LED13BR40/DIM/HO/830/G6/RP 6/CS 1/SKU | 13 | Medium | 85WBR40 | 120 | 25,000 | 3000K | 1100 | 80 | .95 |
| 41110 | LED13BR40/DIM/HO/840/G6/RP 6/CS 1/SKU | 13 | Medium | 85WBR40 | 120 | 25,000 | 4000K | 1100 | 80 | .95 |
| 40459 | LED13BR40/DIM/HO/850/G6/RP 6/CS 1/SKU | 13 | Medium | 85WBR40 | 120 | 25,000 | 5000K | 1150 | 80 | .97 |

Ordering Guide

| LED | XX | BR30 | / | DIM | / | HO | / | 8 | 27 | / | RP |
|-----------|----------------------|-------------------------------|---|----------|---|-------------|---|-----------|--|---|-------------|
| LED Lamps | Wattage: 7, 9, 13 | Lamp Type: R20, BR30, BR40 | / | Dimmable | / | High Output | / | CRI = 80+ | Color Temperature 2700K, 3000K, 4000K, 5000K | / | Retail Pack |

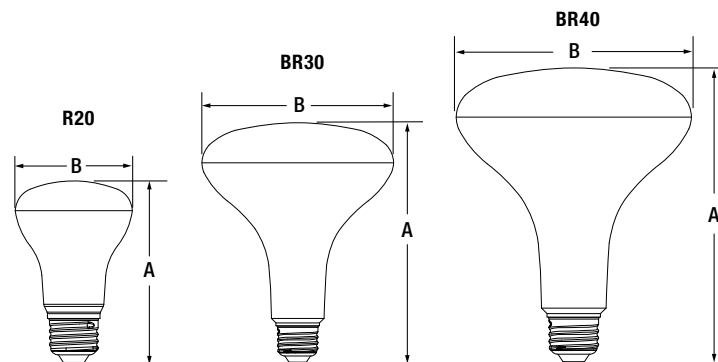
Energy Savings

| Basic Product Description | LED Life (hrs.) | Similar Incandescent | Incandescent Life (hrs.) | Incandescent Lumens | Watts Saved | Energy Savings* | LED Life vs. Incandescent |
|---------------------------|-----------------|----------------------|--------------------------|---------------------|-------------|-----------------|---------------------------|
| LED7R20 | 25,000 | 50R20 | 2,000 | 420 | 44 | \$121.00 | 12x |
| LED9BR30 | 25,000 | 65BR30 | 2,000 | 700 | 56 | \$154.00 | 12x |
| LED13BR40 | 25,000 | 85BR40 | 2,000 | 1065 | 73 | \$200.75 | 12x |

*Energy savings over life of lamp calculated at \$0.11/kWh

Lamp Dimensions

| | (A) MOL inches (mm) | (B) Diameter inches (mm) |
|------|---------------------------|--------------------------------|
| R20 | 3.90 (99) | 2.48 (63) |
| BR30 | 5 (127) | 3.74 (95) |
| BR40 | 6.14 (156) | 4.88 (124) |



LEDVANCE LLC
 181 Ballardvale Street, Suite 203
 Wilmington, MA 01887 USA
 Phone 1-800-LIGHTBULB (1-800-544-4828)
 www.ledvanceUS.com

SYLVANIA and LEDVANCE are registered trademarks.
 All other trademarks are those of their respective owners.
 Licensee of product trademark SYLVANIA in general lighting.
 Specifications subject to change without notice.



SCAN TO FOLLOW US
ON SOCIAL MEDIA



ULTRA LED™ HO Reflector Lamps

Rated up to 25,000 hours at 70% lumen maintenance, the SYLVANIA ULTRA HO LED bulbous reflector lamp offer years of service and reduce energy and maintenance costs. SYLVANIA LED lamps are environmentally preferred products. They are RoHS compliant, contain no mercury, lead or other hazardous materials. They emit no UV or IR radiation that can cause fading and discoloration of fabric or artwork. The 80+ CRI ensures greater color definition and can be used in many applications, both homes and businesses. These lamps are offered in 2700K, 3000K, 4000K and 5000K color temperatures.

Key Features & Benefits

- Dimmable down to 10%*
- Available in 2700K, 3000K, 4000K and 5000K color temperatures
- Long life up to 25,000 hours (L₇₀)
- UV and IR free
- Mercury and lead free
- RoHS compliant
- Energy savings up to 90%

Application Information

Applications

- General lighting
- Recessed downlights
- Track lighting
- Wall washers

Market Segments

- Art galleries
- Hospitality
- Museums
- Offices
- Residential
- Restaurants
- Retail

Application Notes

1. Only install in operating temperature -4°F to +104°F (-20°C to +40°C).
2. This device is not intended for use with emergency exits.
3. Not for use in totally enclosed fixtures.
4. Suitable for damp locations. Not for use where directly exposed to water.



Product Offering

| Ordering Abbreviation | Wattage | Color Temperature |
|-----------------------|---------|----------------------------|
| LEDR20 | 7 | 2700K, 5000K |
| LEDBR30 | 9 | 2700K, 3000K, 4000K, 5000K |
| LEDBR40 | 13 | 2700K, 3000K, 4000K, 5000K |

This device complies with part 15 of the FCC Rules. Operation is subject to the following two conditions: (1) This device may not cause harmful interference, and (2) this device must accept any interference received, including interference that may cause undesired operation. For FCC Part 15 user information, please see www.ledvanceUS.com/fcc15b

* Performance may vary depending on dimmer used in application. Please refer to Dimmer Compatibility List (RETRO-DIM) for a list of compatible dimmers or visit www.ledvanceUS.com/LEDretrofit



| | |
|-------------|------|
| Catalog # | Type |
| Project | |
| Comments | |
| Prepared by | |

Ordering Information

| Item Number | Ordering Abbreviation | Wattage (W) | Base Type | Replaces | Input Voltage (V) | Average Rated Life (hrs.) | CCT | Typical Lumens (lm) | CRI | Power Factor |
|-------------|---------------------------------------|-------------|-----------|----------|-------------------|---------------------------|-------|---------------------|-----|--------------|
| 40462 | LED7R20/DIM/HO/827/G6/RP 6/CS 1/SKU | 7 | Medium | 50WR20 | 120 | 25,000 | 2700K | 525 | 80 | .95 |
| 40463 | LED7R20/DIM/HO/850/G6/RP 6/CS 1/SKU | 7 | Medium | 50WR20 | 120 | 25,000 | 5000K | 550 | 80 | .95 |
| 40460 | LED9BR30/DIM/HO/827/G6/RP 6/CS 1/SKU | 9 | Medium | 65WBR30 | 120 | 25,000 | 2700K | 800 | 80 | .97 |
| 41111 | LED9BR30/DIM/HO/830/G6/RP 6/CS 1/SKU | 9 | Medium | 65WBR30 | 120 | 25,000 | 3000K | 800 | 80 | .95 |
| 41112 | LED9BR30/DIM/HO/840/G6/RP 6/CS 1/SKU | 9 | Medium | 65WBR30 | 120 | 25,000 | 4000K | 800 | 80 | .95 |
| 40461 | LED9BR30/DIM/HO/850/G6/RP 6/CS 1/SKU | 9 | Medium | 65WBR30 | 120 | 25,000 | 5000K | 850 | 80 | .95 |
| 40458 | LED13BR40/DIM/HO/827/G6/RP 6/CS 1/SKU | 13 | Medium | 85WBR40 | 120 | 25,000 | 2700K | 1100 | 80 | .97 |
| 41109 | LED13BR40/DIM/HO/830/G6/RP 6/CS 1/SKU | 13 | Medium | 85WBR40 | 120 | 25,000 | 3000K | 1100 | 80 | .95 |
| 41110 | LED13BR40/DIM/HO/840/G6/RP 6/CS 1/SKU | 13 | Medium | 85WBR40 | 120 | 25,000 | 4000K | 1100 | 80 | .95 |
| 40459 | LED13BR40/DIM/HO/850/G6/RP 6/CS 1/SKU | 13 | Medium | 85WBR40 | 120 | 25,000 | 5000K | 1150 | 80 | .97 |

Ordering Guide

| LED | XX | BR30 | / | DIM | / | HO | / | 8 | 27 | / | RP |
|-----------|----------------------|-------------------------------|---|----------|---|-------------|---|-----------|--|---|-------------|
| LED Lamps | Wattage: 7, 9, 13 | Lamp Type: R20, BR30, BR40 | | Dimmable | | High Output | | CRI = 80+ | Color Temperature 2700K, 3000K, 4000K, 5000K | | Retail Pack |

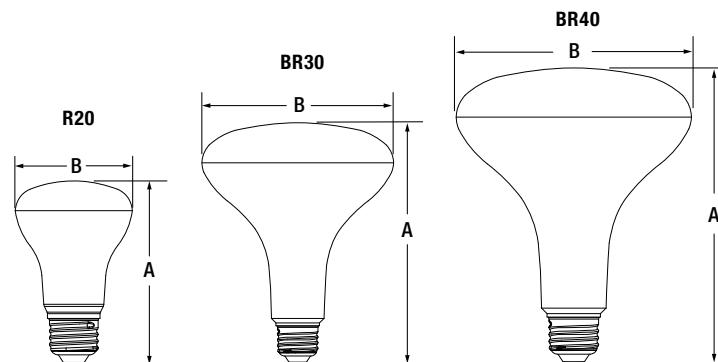
Energy Savings

| Basic Product Description | LED Life (hrs.) | Similar Incandescent | Incandescent Life (hrs.) | Incandescent Lumens | Watts Saved | Energy Savings* | LED Life vs. Incandescent |
|---------------------------|-----------------|----------------------|--------------------------|---------------------|-------------|-----------------|---------------------------|
| LED7R20 | 25,000 | 50R20 | 2,000 | 420 | 44 | \$121.00 | 12x |
| LED9BR30 | 25,000 | 65BR30 | 2,000 | 700 | 56 | \$154.00 | 12x |
| LED13BR40 | 25,000 | 85BR40 | 2,000 | 1065 | 73 | \$200.75 | 12x |

*Energy savings over life of lamp calculated at \$0.11/kWh

Lamp Dimensions

| | (A) MOL inches (mm) | (B) Diameter inches (mm) |
|------|---------------------------|--------------------------------|
| R20 | 3.90 (99) | 2.48 (63) |
| BR30 | 5 (127) | 3.74 (95) |
| BR40 | 6.14 (156) | 4.88 (124) |



LEDVANCE LLC
 181 Ballardvale Street, Suite 203
 Wilmington, MA 01887 USA
 Phone 1-800-LIGHTBULB (1-800-544-4828)
 www.ledvanceUS.com

SYLVANIA and LEDVANCE are registered trademarks.
 All other trademarks are those of their respective owners.
 Licensee of product trademark SYLVANIA in general lighting.
 Specifications subject to change without notice.



SCAN TO FOLLOW US
ON SOCIAL MEDIA

