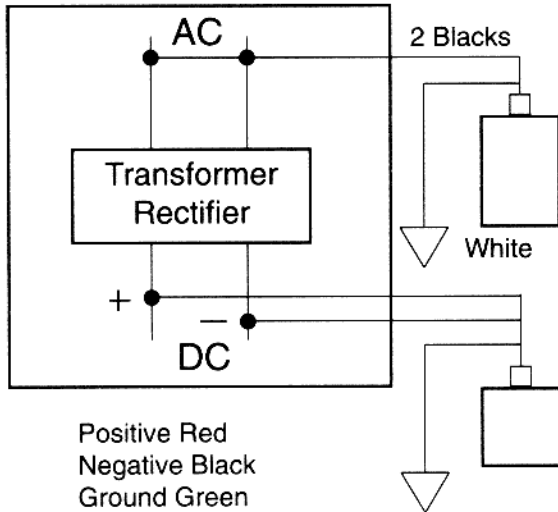




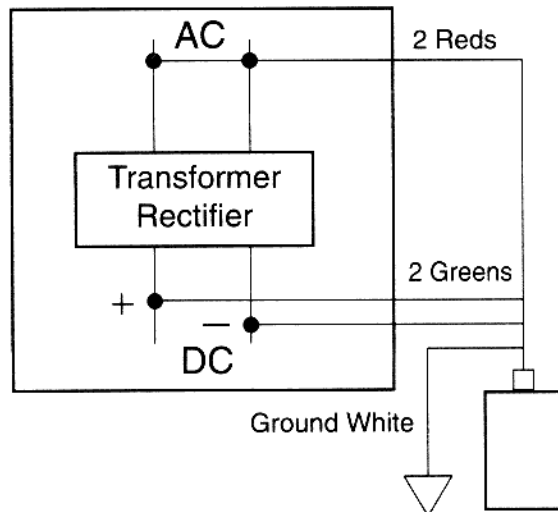
DIRECT CURRENT ARRESTOR

SILICON OXIDE ARRESTOR FOR CATHODIC PROTECTORS AND OTHER LIMITED CURRENT DC APPLICATIONS



LA602: 480V three wire unit to protect the AC circuit

LA302DC: 0-500V three wire unit to protect the DC circuit



LA104: Combination Unit, Combines LA602 with LA302DC in one enclosure

18 inch leads



Weatherproof Enclosure
2-1/4" High, 2-1/4" Diameter
LA 302 DC

36 inch leads



Weatherproof Enclosure
4-1/2" High, 2-1/4" Diameter
LA 602 & LA 104

Conduction Characteristics

8 X 20 microsecond wave shape
ANSI IEEE NEMA STANDARD

| DISCHARGE CURRENT | 5000 A | 10,000 A | 20,000 A | 40,000 A | 60,000 A | 80,000 A | 100,000 A | AMPERAGE |
|-------------------|--------|----------|----------|----------|----------|----------|-----------|-------------------------------------|
| LA 602 | 450 V | 920 V | 1040 V | 1500 V | 2300 V | 4000 V | 5000 V | CLAMPING VOLTAGE LINE TO NEUTRAL |
| LA 302 DC | 240 V | 480 V | 840 V | 1300 V | 2000 V | 3000 V | 4000 V | CLAMPING VOLTAGE LINE TO NEUTRAL |

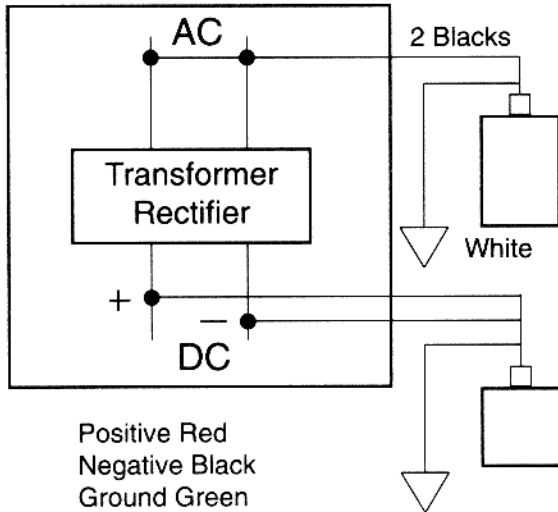
DELTA LIGHTNING ARRESTORS™, INC.

P. O. BOX 750
BIG SPRING, TEXAS 79721



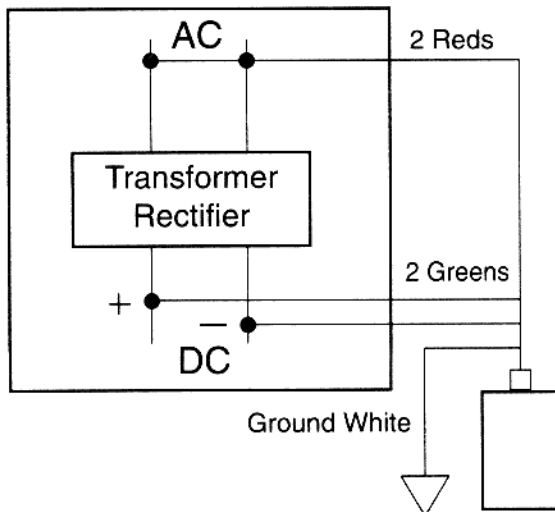
DIRECT CURRENT ARRESTOR

SILICON OXIDE ARRESTOR FOR CATHODIC PROTECTORS AND OTHER LIMITED CURRENT DC APPLICATIONS



LA602: 480V three wire unit to protect the AC circuit

LA302DC: 0-500V three wire unit to protect the DC circuit



LA104: Combination Unit, Combines LA602 with LA302DC in one enclosure

18 inch leads



Weatherproof Enclosure
2-1/4" High, 2-1/4" Diameter
LA 302 DC

36 inch leads



Weatherproof Enclosure
4-1/2" High, 2-1/4" Diameter
LA 602 & LA 104

Conduction Characteristics

8 X 20 microsecond wave shape
ANSI IEEE NEMA STANDARD

| DISCHARGE CURRENT | 5000 A | 10,000 A | 20,000 A | 40,000 A | 60,000 A | 80,000 A | 100,000 A | AMPERAGE |
|-------------------|--------|----------|----------|----------|----------|----------|-----------|-------------------------------------|
| LA 602 | 450 V | 920 V | 1040 V | 1500 V | 2300 V | 4000 V | 5000 V | CLAMPING VOLTAGE LINE TO NEUTRAL |
| LA 302 DC | 240 V | 480 V | 840 V | 1300 V | 2000 V | 3000 V | 4000 V | CLAMPING VOLTAGE LINE TO NEUTRAL |

DELTA LIGHTNING ARRESTORS™, INC.

P. O. BOX 750
BIG SPRING, TEXAS 79721