



KT-LED80PSHID-EX39-8XX-D /G4 HID REPLACEMENT LED LAMP

DESCRIPTION

80W HID Replacement LED Lamp | Power Select | 80 CRI | IP64



LAMP TYPE: HID Replacement LED
BASE TYPE: EX39 (Mogul)
SELECTABLE WATTAGE: 80W, 63W, 54W
COLOR TEMPERATURE: 3000K, 4000K, 5000K
METAL HALIDE EQUIVALENT: 320W
COLOR RENDERING INDEX (CRI): > 80
WARRANTY: 5 Years



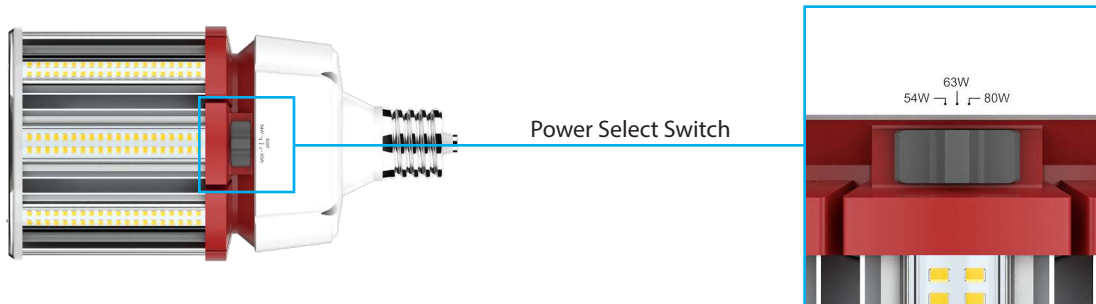
PRODUCT FEATURES

- Replacement for conventional metal halide lamp
- Environmentally friendly: No mercury used
- Instant startup
- Integral driver eliminates the need for external driver or ballast; includes 4kV surge protection
- Not for use with standard dimmers; see instructions
- 50,000+ hour lifetime
- Operating temperature: -30°C/-22°F to 45°C/113°F
- Suitable for use in fully enclosed fixtures
- Minimum lamp compartment dimensions: 9.8" x 9.8" x 10.9"
- UL listed
- IP64 rated; integrated heat sink quickly dissipates heat and guides water intrusion out of the lamp

ELECTRICAL AND PERFORMANCE SPECIFICATIONS

Keystone Catalog Number	Input Voltage	Selectable Power	CCT	Lumens	Efficacy	Base Type	CRI	PF
KT-LED80PSHID-EX39-830-D /G4	120-277V	80W	3000K	10800	135 lm/W	EX39	>80	≥90
		63W		8505	135 lm/W			
		54W		7290	135 lm/W			
KT-LED80PSHID-EX39-840-D /G4	120-277V	80W	4000K	11200	140 lm/W	EX39	>80	≥90
		63W		8820	140 lm/W			
		54W		7560	140 lm/W			
KT-LED80PSHID-EX39-850-D /G4	120-277V	80W	5000K	11600	145 lm/W	EX39	>80	≥90
		63W		9135	145 lm/W			
		54W		7830	145 lm/W			

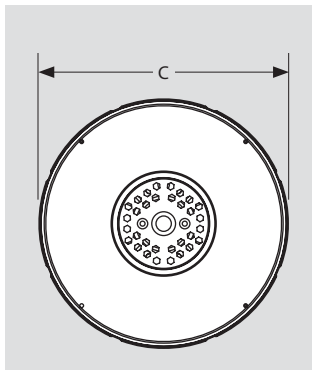
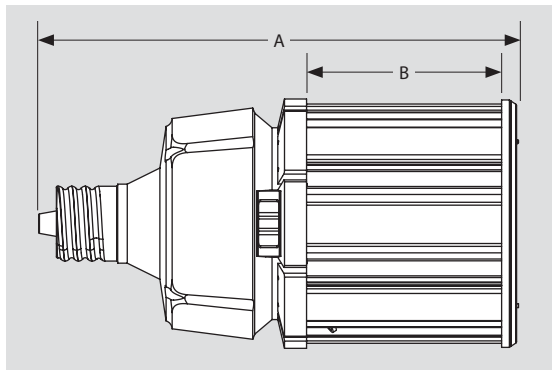
SELECTABILITY





KT-LED80PSHID-EX39-8XX-D /G4 HID REPLACEMENT LED LAMP

PHYSICAL CHARACTERISTICS



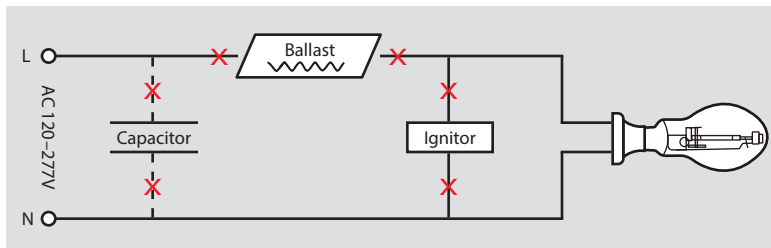
LAMP DIMENSIONS

A (Body Length)	9.88"
B (Illuminated Length)	4.02"
C (Diameter)	5.12"

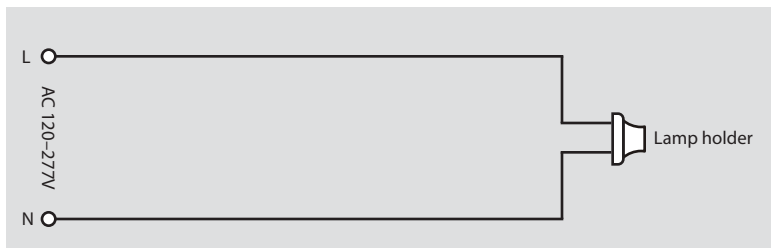
BASE TYPE: EX39 (Mogul)

WIRING INSTRUCTIONS

STEP 1
Disconnect power. Disconnect and remove existing ballast, capacitor, and/or ignitor (where applicable) from fixture.
Note: Follow all federal and local regulations when disposing of lamps and removed components.

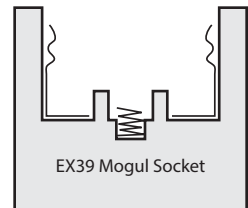
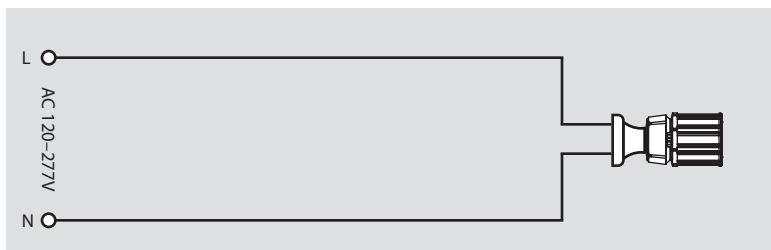
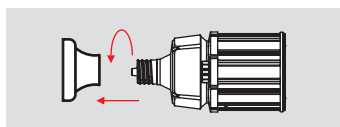


STEP 2
Rewire for line voltage to the lamp socket.



EX39-based lamps will work in both E39 and EX39 sockets.

STEP 3
Install new LED replacement lamp. Ensure lamp is operating properly when power is turned on.





KT-LED80PSHID-EX39-8XX-D /G4

HID REPLACEMENT LED LAMP

ORDERING INFORMATION

ORDER CODE	PACK QTY.	UPC	EASY CODE	DLC PRODUCT ID
KT-LED80PSHID-EX39-830-D /G4	6	843654138398	PNC-71	P3QI48GW
KT-LED80PSHID-EX39-840-D /G4	6	843654138404	ZLJ-91	P7JNH6JF
KT-LED80PSHID-EX39-850-D /G4	6	843654138411	EIO-15	P48CNS54

CATALOG NUMBER BREAKDOWN

KT-LED80PSHID-EX39-8XX-D /G4

- 1
- 2
- 3
- 4
- 5
- 6
- 7
- 8
- 9
- 10

- 1 Keystone Technologies
- 2 LED Lamp
- 3 Wattage
- 4 Power Select
- 5 Lamp Type
- 6 Base Type
- 7 80 CRI
- 8 Color Temperature
- 9 Direct Drive
- 10 Fourth Generation