



SignPRO

SIGNPRO MAG ELE SIGN BAL (4-6) T12HO 8-48FT 120-277V

Philips Advance signPRO line...a brand synonymous with full-line, high-quality sign ballasts offered exclusively to the sign industry to support the market's broad range of sign applications, now adds: ...four new energy-efficient signPRO Electronic Fluorescent Sign Ballasts for T8/HO and T12/HO High Output (800mA) Lamps. Philips Advance signPRO line...a brand synonymous with full-line, high-quality sign ballasts offered exclusively to the sign industry to support the market's broad range of sign applications, now adds: ...four new energy-efficient signPRO Electronic Fluorescent Sign Ballasts for T8/HO and T12/HO High Output (800mA) Lamps.

Product data

General Information		Input Current (Operating) (Nom)	
Lamp Type	T12/HO		3.40 A
Number of Lamps	4-6 piece/unit	Input Power (Nom)	390-384 W
Lamp Footage	8 - 48 FT	Rated Lamp Watts	110 W
Ballast Type	Electronic Fluorescent	Wiring	
Base Model	ISB084846E1	Wire Striplength	0.50/0.375 mm
Suitable For Outdoor Use	Yes	Lamp Connection	Parallel
Automatic Restart	Yes	Wire Length by Color	See data sheet
Operating and Electrical		Wire Gauge (Nom)	18AWG mm
Input Voltage	120 to 277 V	Wire Type	Solid
Input Frequency	50 to 60 Hz	Remote Wiring Configuration Allowed	No
Max THD	10 %	Tandem Wiring Configuration Allowed	No
Starting Method	Instant Start	Through Wiring Configuration Allowed	Yes
Lamp Current Crest Factor (Nom)	1.7	Max Ballast-Lamp Distance Remote Wiring	No Remote
Ignition Time (Nom)	0.1 s	Max Ballast-Lamp Distance Tandem Wiring	No Tandem
Ballast Factor (Nom)	0.60	Max Ballast-Lamp Distance Through Wiring	Any = 20'
Power Factor (Nom)	0.98		

Mechanical and Housing

Housing Material	Metal
Housing	BL2
Housing Dimensions	14.31" x 3.19" x 2.63"

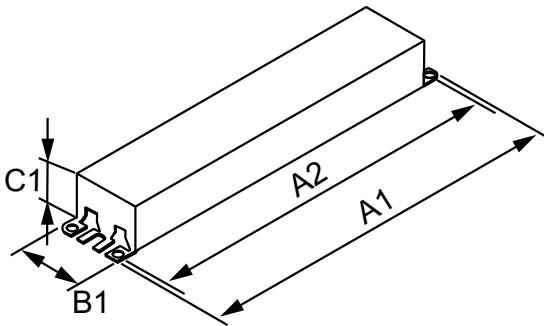
Approval and Application

EMC Immunity Standard	FCC Non-Consumer
Approbation Marks	CSA certificate UL certificate RoHS Compliant
Sound Rating	A
UL Recognized	No

Product Data

Order product name	SIGNPRO MAG ISB084846EI
EAN/UPC - Product	781087135792
Order code	ISB084846EI
Numerator - Quantity Per Pack	1
Numerator - Packs per outer box	1
Material Nr. (12NC)	913701262401
Net Weight (Piece)	6.337 kg

Dimensional drawing



ELE SIGN BAL (4-6) T12HO 8-48FT 120-277V

Product	A1	A2	B1	C1
SIGNPRO MAG ISB084846EI	14.31 in	13.75 in	3.19 in	2.63 in





SignPRO

SIGNPRO MAG ELE SIGN BAL (4-6) T12HO 8-48FT 120-277V

Philips Advance signPRO line...a brand synonymous with full-line, high-quality sign ballasts offered exclusively to the sign industry to support the market's broad range of sign applications, now adds: ...four new energy-efficient signPRO Electronic Fluorescent Sign Ballasts for T8/HO and T12/HO High Output (800mA) Lamps. Philips Advance signPRO line...a brand synonymous with full-line, high-quality sign ballasts offered exclusively to the sign industry to support the market's broad range of sign applications, now adds: ...four new energy-efficient signPRO Electronic Fluorescent Sign Ballasts for T8/HO and T12/HO High Output (800mA) Lamps.

Product data

General Information		Input Current (Operating) (Nom)	
Lamp Type	T12/HO	Input Power (Nom)	3.40 A
Number of Lamps	4-6 piece/unit	Rated Lamp Watts	390-384 W
Lamp Footage	8 - 48 FT		110 W
Ballast Type	Electronic Fluorescent	Wiring	
Base Model	ISB084846E1	Wire Striplength	0.50/0.375 mm
Suitable For Outdoor Use	Yes	Lamp Connection	Parallel
Automatic Restart	Yes	Wire Length by Color	See data sheet
		Wire Gauge (Nom)	18AWG mm
		Wire Type	Solid
Operating and Electrical		Remote Wiring Configuration Allowed	No
Input Voltage	120 to 277 V	Tandem Wiring Configuration Allowed	No
Input Frequency	50 to 60 Hz	Through Wiring Configuration Allowed	Yes
Max THD	10 %	Max Ballast-Lamp Distance Remote Wiring	No Remote
Starting Method	Instant Start	Max Ballast-Lamp Distance Tandem Wiring	No Tandem
Lamp Current Crest Factor (Nom)	1.7	Max Ballast-Lamp Distance Through Wiring	Any = 20'
Ignition Time (Nom)	0.1 s		
Ballast Factor (Nom)	0.60		
Power Factor (Nom)	0.98		

Mechanical and Housing

Housing Material	Metal
Housing	BL2
Housing Dimensions	14.31" x 3.19" x 2.63"

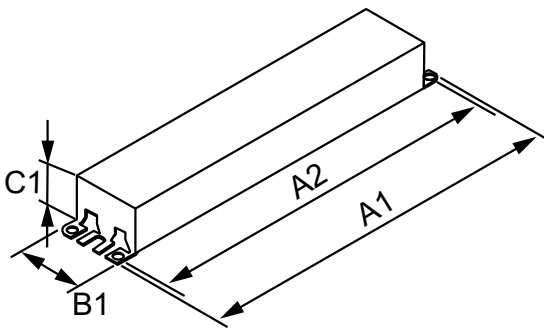
Approval and Application

EMC Immunity Standard	FCC Non-Consumer
Approbation Marks	CSA certificate UL certificate RoHS Compliant
Sound Rating	A
UL Recognized	No

Product Data

Order product name	SIGNPRO MAG ISB084846EI
EAN/UPC - Product	781087135792
Order code	ISB084846EI
Numerator - Quantity Per Pack	1
Numerator - Packs per outer box	1
Material Nr. (12NC)	913701262401
Net Weight (Piece)	6.337 kg

Dimensional drawing



ELE SIGN BAL (4-6) T12HO 8-48FT 120-277V

Product	A1	A2	B1	C1
SIGNPRO MAG ISB084846EI	14.31 in	13.75 in	3.19 in	2.63 in

