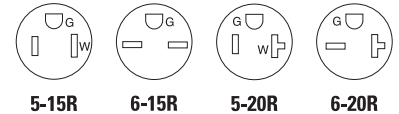


Arrow Hart extra heavy-duty industrial grade isolated ground straight blade receptacles

Project Name:	Prepared By:
Project Number:	Date:
Catalog Number:	Type:

Description

2-Pole, 3-Wire Grounding
 15A 125V; 15A 250V
 20A 125V; 20A 250V
 NEMA 5-15, 5-20, 6-15, 6-20



IG5261



AHIG5362



AHTRIG5262

Design features

- Exclusive screw terminal guards provide fast, easy insulation from conductive surfaces (duplex only)
- Exclusive five-leaf solid brass line contacts provide consistent performance and superior plug retention (duplex only)
- Rigid, glass reinforced nylon base lends ultimate strength and superior high heat resistance in contact carrier (duplex only)
- 0.050" (1.27mm) brass-plated steel mounting strap with non-riveted, integral one-piece grounding system for highest durability – assures superior ground integrity under heaviest use (duplex only)
- Black tamper resistant shutters on TR models create a seamless look, while ensuring code compliance and preventing the insertion of foreign objects
- High impact and chemical-resistant nylon face
- Tapered lead-in slots on back wiring holes assist in gathering stranded wires for faster, more secure connections
- All terminal and mounting screws triple combination (slot/Phillips/Robertson) head for maximum installer flexibility
- Long, broad mounting strap helps reach large panel cutouts for code compliance
- Screw-Catch feature on duplex devices speeds mounting of wallplates

Table 1. Extra heavy-duty industrial grade isolated ground receptacles



Rating A	V/AC	NEMA	Description	Color suffix	Catalog no.	
15	125	5-15R	IG duplex receptacle, back & side wire	GY, RD, RN, V, W	□ AHIG5262__	• •
			IG single receptacle, back & side wire	RN	□ IG5261RN* [†]	• •
			TR IG duplex receptacle, back & side wire	GY, RD, RN, V, W	□ AHTRIG5262__	• •
20	125	5-20R	IG duplex receptacle, back & side wire	BK, GY, RD, RN, V, W	□ AHIG5362__	• •
			IG single receptacle, back & side wire	RN, V	□ IG5361__* [†]	• •
			TR IG duplex receptacle, back & side wire	BK, GY, RD, RN, V, W	□ AHTRIG5362__ ^Δ	• •

*Not Fed Spec, [†]UL Listed and CSA, ^ΔNot NOM



Powering Business Worldwide

Project Name:	Prepared By:
Project Number:	Date:
Catalog Number:	Type:



IG5661RN



AHIG5662RN

Table 2. Extra heavy-duty industrial grade isolated ground receptacles

Rating	A	V/AC	NEMA	Description	Color suffix	Catalog no.	
15	250	6-15R	IG duplex receptacle, back & side wire	RN	□ AHIG5662RN	•	
				RN	□ IG5661RN* [†] Δ	•	
20	250	6-20R	IG duplex receptacle, back & side wire	RN	□ AHIG5462RN	•	
				RN	□ IG5461RN* [†] Δ [∞]	•	

*Not Fed Spec, [†]UL Listed, ^ΔCSA, [∞]NOM Certified

Applications

The grounding network in any commercial building serves as a means of protection for both people and equipment. However, it can also serve as a conductor for electromagnetic interference or electronic noise. Electronic noise can distort electronic signals and ultimately cause sensitive electronic equipment to operate improperly. Arrow Hart's line of extra heavy-duty industrial grade isolated ground receptacles utilize our exclusive 0.030" solid brass, non-riveted, integral one-piece isolated grounding shunt system to assure ground integrity under the heaviest use.

Table 3. Specifications



Catalog No.	AHIG5262, AHIG5362, AHIG5462, AHIG5662 Series	IG5261, IG5361, IG5461, IG5661 Series	AHTRIG5262, AHTRIG5362 Series 
Device type	Industrial grade extra heavy-duty isolated ground duplex receptacles	Industrial grade extra heavy-duty isolated ground single receptacles	Tamper resistant extra heavy-duty industrial grade isolated ground single receptacles
Wiring type	Back & side wire	Back & side wire	Back & side wire
Testing & code compliance	<ul style="list-style-type: none"> Listed to UL498, file no. E15058 UL verified to Federal Spec. WC-596G CSA certified to C22.2, no. 42, file no. 6914, class 6233-01 NOM certified Complies with NEMA WD-1 & NEMA WD-6 	<ul style="list-style-type: none"> Listed to UL498, file no. E15058 UL verified to Federal Spec. WC-596G (except IG5661) CSA certified to C22.2, no. 42, file no. 6914, class 6233-01 NOM certified Complies with NEMA WD-1 & NEMA WD-6 	<ul style="list-style-type: none"> cULus Listed NOM certified Complies with NEMA WD-1 & NEMA WD-6
Environmental specifications	Flammability: Meets UL 94 requirements; V2 rated Temperature rating: -20°C to 70°C (-4°F to 158°F)	Flammability: Meets UL 94 requirements; V2 rated Temperature rating: -20°C to 70°C (-4°F to 158°F)	Flammability: Meets UL 94 requirements; V2 rated Temperature rating: -20°C to 70°C (-4°F to 158°F)
Electrical specifications	Dielectric voltage: Withstands 2000V per UL 498 Current interrupting: Yes, at full-rated current Temperature rise: Max. 30°C (86°F) after 250 cycles of overload @ 200% of rated current (DC)	Dielectric voltage: Withstands 2000V per UL 498 Current interrupting: Yes, at full-rated current Temperature rise: Max. 30°C (86°F) after 250 cycles of overload @ 200% of rated current (DC)	Dielectric voltage: Withstands 2000V per UL 498 Current interrupting: Yes, at full-rated current Temperature rise: Max. 30°C (86°F) after 250 cycles of overload @ 200% of rated current (DC)
Mechanical specifications	Terminal accommodation: #14 - 10 AWG Voltage ratings: Permanently marked on device	Terminal accommodation: #14 - 10 AWG Voltage ratings: Permanently marked on device	Terminal accommodation: #14 - 10 AWG Voltage ratings: Permanently marked on device

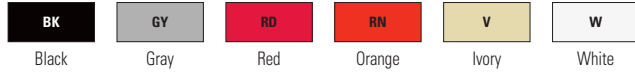
Table 4. Materials

Catalog No.	AHIG5262, AHIG5362, AHIG5462, AHIG5662 Series	IG5261, IG5361, IG5461, IG5661 Series	AHTRIG5262, AHTRIG5362 Series 
Face	Nylon	Nylon	Nylon
Base	Glass-filled nylon	Nylon	Nylon
Strap	0.05" thick steel, brass plated	0.05" thick steel, zinc plated	0.05" thick steel, zinc plated
Auto ground	Brass clip	Phosphor bronze staple	Phosphor bronze staple
Line contacts	0.031" thick 5-leaf 688 grade high-performance brass	0.037" thick 3-leaf brass	0.037" thick 3-leaf brass
Ground contact	1-piece isolated ground shunt	1-piece isolated ground shunt	1-piece isolated ground shunt
Terminal screws	#8-32 brass, neutral screw nickel plated	#8-32 brass, neutral screw nickel plated	#8-32 brass, neutral screw nickel plated
Ground screw	Steel, zinc plated (green)	Steel zinc plated green tone	Steel zinc plated green tone
Screw terminal guards	PVC hinged doors	N/A	N/A

Project Name:	Prepared By:
Project Number:	Date:
Catalog Number:	Type:

Table 5. Color ordering information

For ordering devices, include Cat. No. followed by the color code: BK (Black), GY (Gray), RD (Red), RN (Orange), V (Ivory), W (White)



Product Dimensions

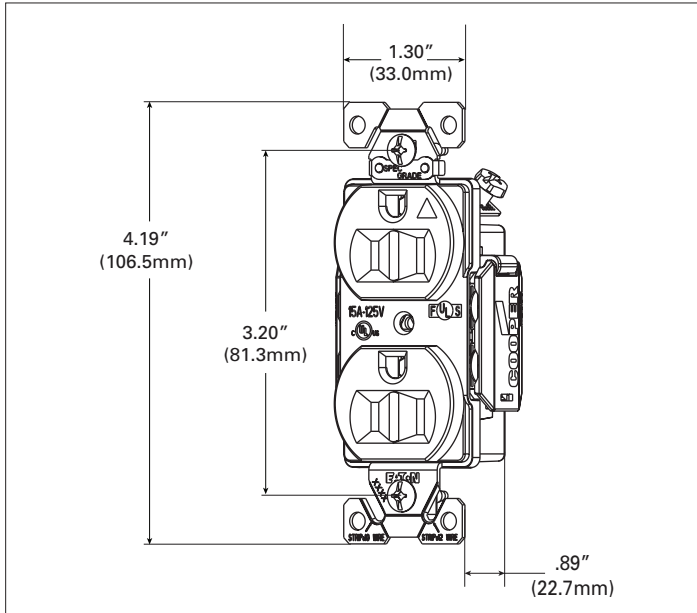


Figure 1. AHIG5262 Line art with dimensions

Product Dimensions

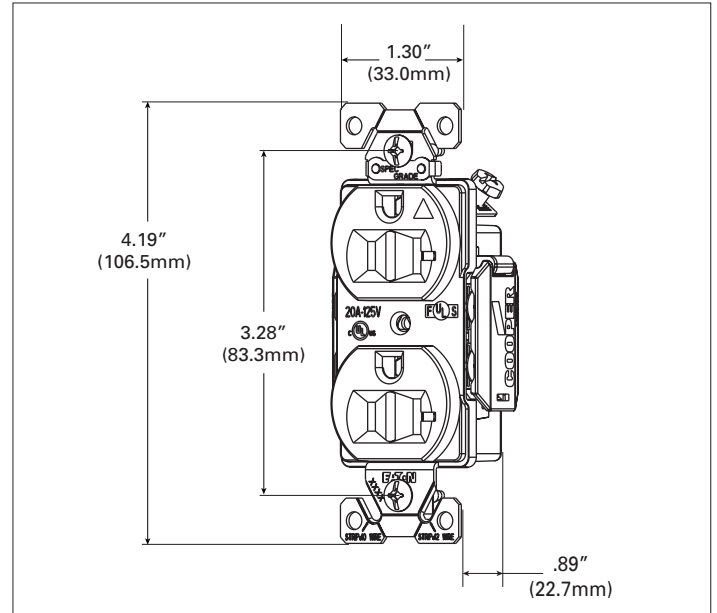


Figure 2. AHIG5362 Line art with dimensions

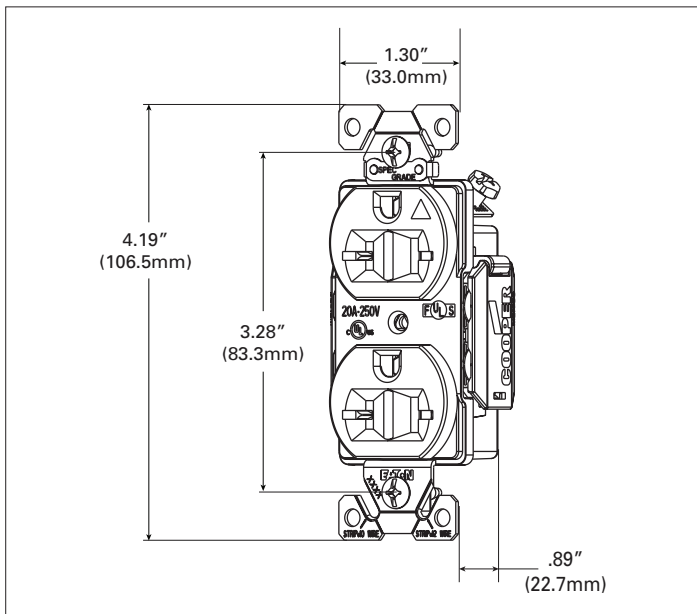


Figure 3. AHIG5462 Line art with dimensions

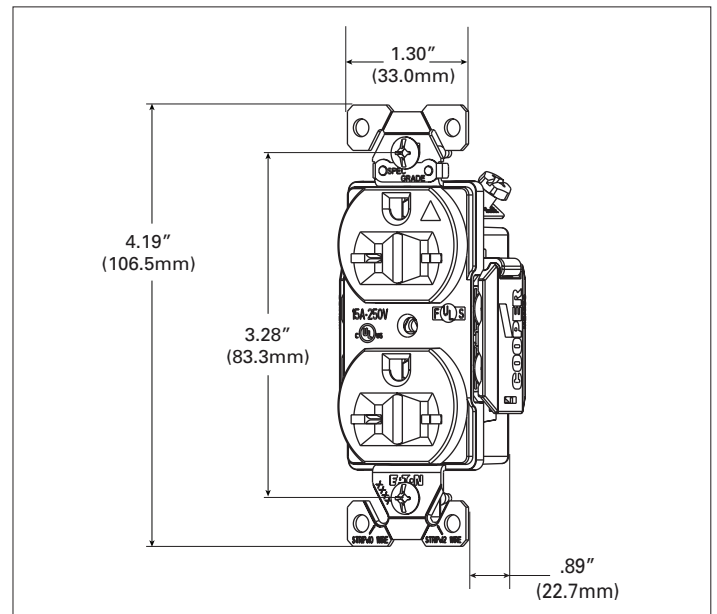


Figure 4. AHIG5662 Line art with dimensions

Project Name:	Prepared By:
Project Number:	Date:
Catalog Number:	Type:

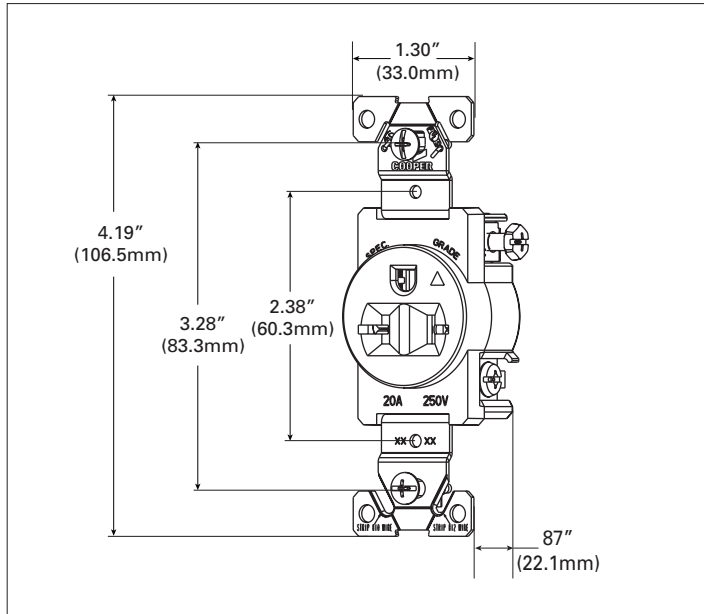


Figure 5. IG5461 Line Art with Dimensions

Certifications & compliances

Catalog No.	cULus	UL	FUS	CSA	NOM 426	Arrowlink
AHIG5262	•	•	•	•	•	•
IG5261RN		•	•	•	•	•
AHTRIG5262	•	•	•	•	•	•
AHIG5362	•	•	•	•	•	•
IG5361		•	•	•	•	•
AHTRIG5362	•	•	•	•	•	•
AHIG5662	•	•	•	•	•	•
IG5661RN		•	•	•	•	•
AHIG5462	•	•	•	•	•	•
IG5461RN		•	•	•	•	•

KEY: cULus cULus UL UL FUS Fed Spec CSA CSA NOM 426 NOM 426 Arrowlink Arrowlink Indicates USMCA compliant Indicates USMCA compliant

Compliances, specifications and availability are subject to change without notice.

Electrical Sector
203 Cooper Circle
Peachtree City, GA 30269
United States
Eaton.com
Eaton.com/wiringdevices

Electrical Sector
Canada Operations
5925 McLaughlin Road
Mississauga, Ontario, L5R 1B8
Canada
EatonCanada.ca
Eaton.com/wiringdevices

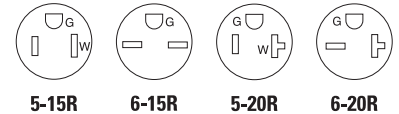
Electrical Sector
Mexico Operations
Carr. Tlalnepantla -
Cuautitlan Km 17.8 s/n
Col. Villa Jardin esq.
Cerrada 8 de Mayo
Cuautitlan, Mexico CP 54800
Mexico
Eaton.mx
Eaton.com/wiringdevices

Arrow Hart extra heavy-duty industrial grade isolated ground straight blade receptacles

Project Name:	Prepared By:
Project Number:	Date:
Catalog Number:	Type:

Description

2-Pole, 3-Wire Grounding
 15A 125V; 15A 250V
 20A 125V; 20A 250V
 NEMA 5-15, 5-20, 6-15, 6-20



IG5261



AHIG5362



AHTRIG5262

Design features

- Exclusive screw terminal guards provide fast, easy insulation from conductive surfaces (duplex only)
- Exclusive five-leaf solid brass line contacts provide consistent performance and superior plug retention (duplex only)
- Rigid, glass reinforced nylon base lends ultimate strength and superior high heat resistance in contact carrier (duplex only)
- 0.050" (1.27mm) brass-plated steel mounting strap with non-riveted, integral one-piece grounding system for highest durability – assures superior ground integrity under heaviest use (duplex only)
- Black tamper resistant shutters on TR models create a seamless look, while ensuring code compliance and preventing the insertion of foreign objects
- High impact and chemical-resistant nylon face
- Tapered lead-in slots on back wiring holes assist in gathering stranded wires for faster, more secure connections
- All terminal and mounting screws triple combination (slot/Phillips/Robertson) head for maximum installer flexibility
- Long, broad mounting strap helps reach large panel cutouts for code compliance
- Screw-Catch feature on duplex devices speeds mounting of wallplates

Table 1. Extra heavy-duty industrial grade isolated ground receptacles



Rating A	V/AC	NEMA	Description	Color suffix	Catalog no.	
15	125	5-15R	IG duplex receptacle, back & side wire	GY, RD, RN, V, W	□ AHIG5262__	• •
			IG single receptacle, back & side wire	RN	□ IG5261RN* ¹	• •
			TR IG duplex receptacle, back & side wire	GY, RD, RN, V, W	□ AHTRIG5262__	• •
20	125	5-20R	IG duplex receptacle, back & side wire	BK, GY, RD, RN, V, W	□ AHIG5362__	• •
			IG single receptacle, back & side wire	RN, V	□ IG5361__* ¹	• •
			TR IG duplex receptacle, back & side wire	BK, GY, RD, RN, V, W	□ AHTRIG5362__ ^Δ	• •

*Not Fed Spec, ¹UL Listed and CSA, ^ΔNot NOM



Powering Business Worldwide

Project Name:	Prepared By:
Project Number:	Date:
Catalog Number:	Type:



IG5661RN



AHIG5662RN

Table 2. Extra heavy-duty industrial grade isolated ground receptacles

Rating	A	V/AC	NEMA	Description	Color suffix	Catalog no.	
15	250	6-15R	IG duplex receptacle, back & side wire	RN	□ AHIG5662RN	•	
				RN	□ IG5661RN* [†] Δ	•	
20	250	6-20R	IG duplex receptacle, back & side wire	RN	□ AHIG5462RN	•	
				RN	□ IG5461RN* [†] Δ [∞]	•	

*Not Fed Spec, [†]UL Listed, ^ΔCSA, [∞]NOM Certified

Applications

The grounding network in any commercial building serves as a means of protection for both people and equipment. However, it can also serve as a conductor for electromagnetic interference or electronic noise. Electronic noise can distort electronic signals and ultimately cause sensitive electronic equipment to operate improperly. Arrow Hart's line of extra heavy-duty industrial grade isolated ground receptacles utilize our exclusive 0.030" solid brass, non-riveted, integral one-piece isolated grounding shunt system to assure ground integrity under the heaviest use.

Table 3. Specifications



Catalog No.	AHIG5262, AHIG5362, AHIG5462, AHIG5662 Series	IG5261, IG5361, IG5461, IG5661 Series	AHTRIG5262, AHTRIG5362 Series 
Device type	Industrial grade extra heavy-duty isolated ground duplex receptacles	Industrial grade extra heavy-duty isolated ground single receptacles	Tamper resistant extra heavy-duty industrial grade isolated ground single receptacles
Wiring type	Back & side wire	Back & side wire	Back & side wire
Testing & code compliance	<ul style="list-style-type: none"> Listed to UL498, file no. E15058 UL verified to Federal Spec. WC-596G CSA certified to C22.2, no. 42, file no. 6914, class 6233-01 NOM certified Complies with NEMA WD-1 & NEMA WD-6 	<ul style="list-style-type: none"> Listed to UL498, file no. E15058 UL verified to Federal Spec. WC-596G (except IG5661) CSA certified to C22.2, no. 42, file no. 6914, class 6233-01 NOM certified Complies with NEMA WD-1 & NEMA WD-6 	<ul style="list-style-type: none"> cULus Listed NOM certified Complies with NEMA WD-1 & NEMA WD-6
Environmental specifications	Flammability: Meets UL 94 requirements; V2 rated Temperature rating: -20°C to 70°C (-4°F to 158°F)	Flammability: Meets UL 94 requirements; V2 rated Temperature rating: -20°C to 70°C (-4°F to 158°F)	Flammability: Meets UL 94 requirements; V2 rated Temperature rating: -20°C to 70°C (-4°F to 158°F)
Electrical specifications	Dielectric voltage: Withstands 2000V per UL 498 Current interrupting: Yes, at full-rated current Temperature rise: Max. 30°C (86°F) after 250 cycles of overload @ 200% of rated current (DC)	Dielectric voltage: Withstands 2000V per UL 498 Current interrupting: Yes, at full-rated current Temperature rise: Max. 30°C (86°F) after 250 cycles of overload @ 200% of rated current (DC)	Dielectric voltage: Withstands 2000V per UL 498 Current interrupting: Yes, at full-rated current Temperature rise: Max. 30°C (86°F) after 250 cycles of overload @ 200% of rated current (DC)
Mechanical specifications	Terminal accommodation: #14 - 10 AWG Voltage ratings: Permanently marked on device	Terminal accommodation: #14 - 10 AWG Voltage ratings: Permanently marked on device	Terminal accommodation: #14 - 10 AWG Voltage ratings: Permanently marked on device

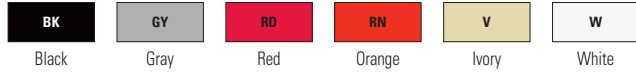
Table 4. Materials

Catalog No.	AHIG5262, AHIG5362, AHIG5462, AHIG5662 Series	IG5261, IG5361, IG5461, IG5661 Series	AHTRIG5262, AHTRIG5362 Series 
Face	Nylon	Nylon	Nylon
Base	Glass-filled nylon	Nylon	Nylon
Strap	0.05" thick steel, brass plated	0.05" thick steel, zinc plated	0.05" thick steel, zinc plated
Auto ground	Brass clip	Phosphor bronze staple	Phosphor bronze staple
Line contacts	0.031" thick 5-leaf 688 grade high-performance brass	0.037" thick 3-leaf brass	0.037" thick 3-leaf brass
Ground contact	1-piece isolated ground shunt	1-piece isolated ground shunt	1-piece isolated ground shunt
Terminal screws	#8-32 brass, neutral screw nickel plated	#8-32 brass, neutral screw nickel plated	#8-32 brass, neutral screw nickel plated
Ground screw	Steel, zinc plated (green)	Steel zinc plated green tone	Steel zinc plated green tone
Screw terminal guards	PVC hinged doors	N/A	N/A

Project Name:	Prepared By:
Project Number:	Date:
Catalog Number:	Type:

Table 5. Color ordering information

For ordering devices, include Cat. No. followed by the color code: BK (Black), GY (Gray), RD (Red), RN (Orange), V (Ivory), W (White)



Product Dimensions

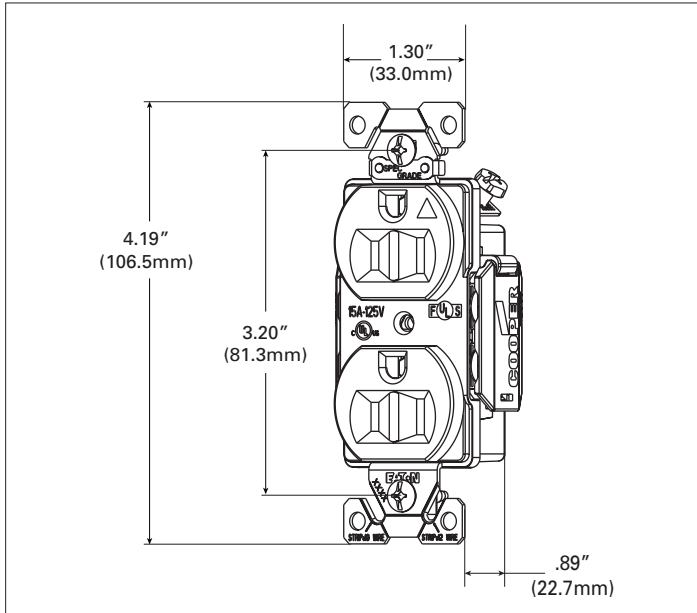


Figure 1. AHIG5262 Line art with dimensions

Product Dimensions

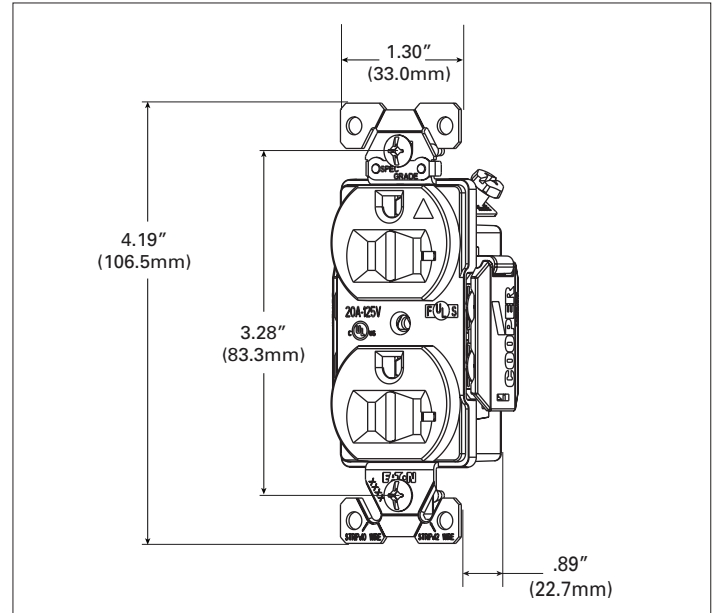


Figure 2. AHIG5362 Line art with dimensions

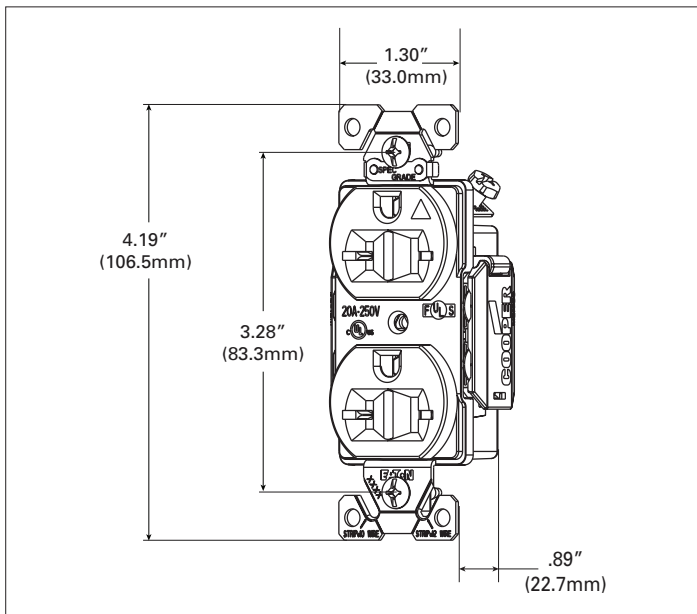


Figure 3. AHIG5462 Line art with dimensions

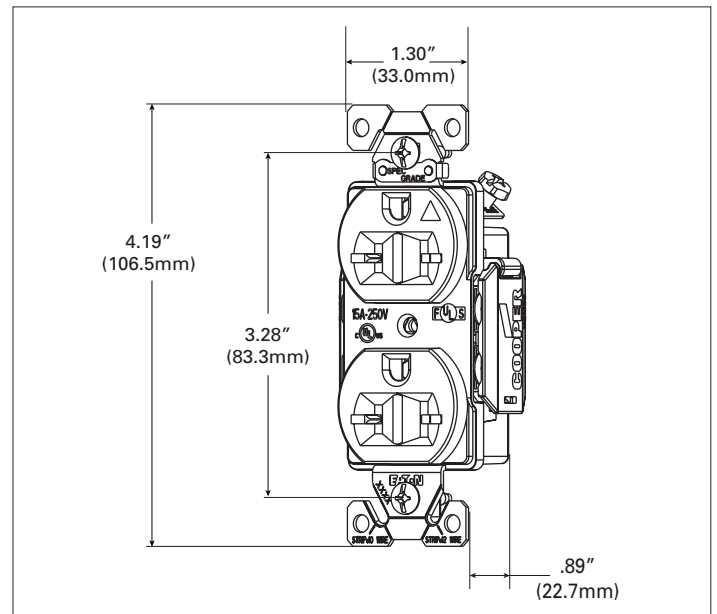


Figure 4. AHIG5662 Line art with dimensions

Project Name:	Prepared By:
Project Number:	Date:
Catalog Number:	Type:

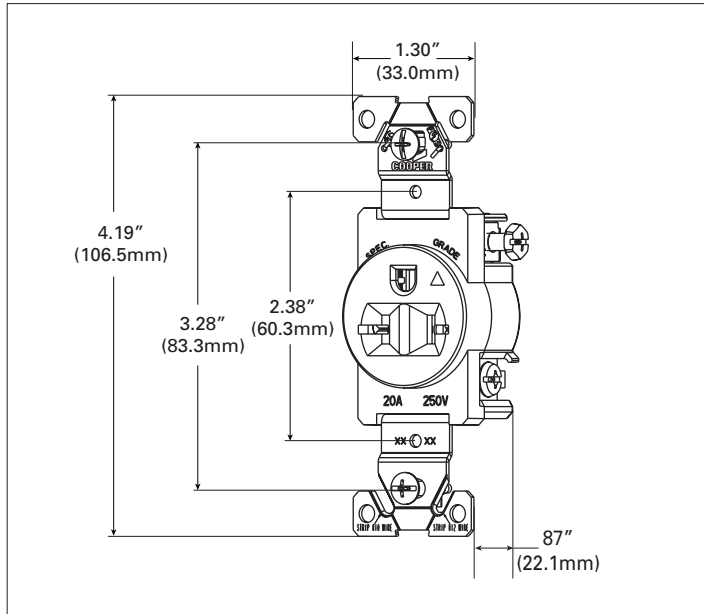


Figure 5. IG5461 Line Art with Dimensions

Certifications & compliances

Catalog No.	cULus	UL	FUS	CSA	NOM 426	Arrowlink
AHIG5262	•	•	•	•	•	•
IG5261RN		•	•	•	•	•
AHTRIG5262	•	•	•	•	•	•
AHIG5362	•	•	•	•	•	•
IG5361		•	•	•	•	•
AHTRIG5362	•	•	•	•	•	•
AHIG5662	•	•	•	•	•	•
IG5661RN		•	•	•	•	•
AHIG5462	•	•	•	•	•	•
IG5461RN		•	•	•	•	•

KEY: cULus cULus UL UL FUS Fed Spec CSA CSA NOM 426 NOM 426 Arrowlink Arrowlink Indicates USMCA compliant Indicates USMCA compliant

Compliances, specifications and availability are subject to change without notice.

Electrical Sector
203 Cooper Circle
Peachtree City, GA 30269
United States
Eaton.com
Eaton.com/wiringdevices

Electrical Sector
Canada Operations
5925 McLaughlin Road
Mississauga, Ontario, L5R 1B8
Canada
EatonCanada.ca
Eaton.com/wiringdevices

Electrical Sector
Mexico Operations
Carr. Tlalnepantla -
Cuautitlan Km 17.8 s/n
Col. Villa Jardin esq.
Cerrada 8 de Mayo
Cuautitlan, Mexico CP 54800
Mexico
Eaton.mx
Eaton.com/wiringdevices