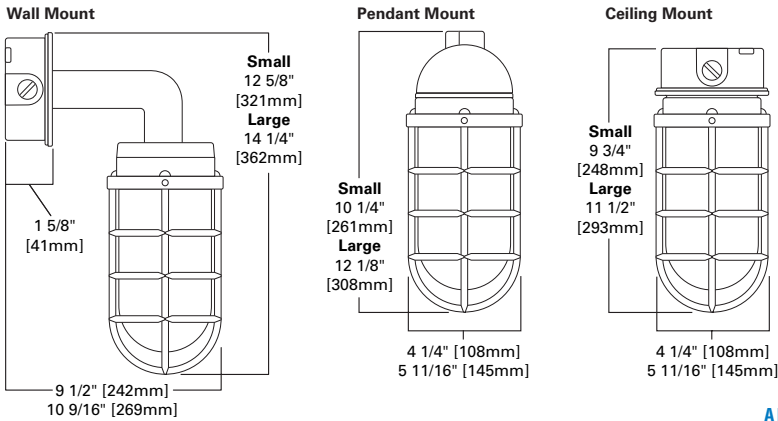


200-300W INCANDESCENT

# IC Vaportight

INDUSTRIAL SAFETY AND SECURITY LUMINAIRE



**APPLICATION**

Lumark's Vaportight fixtures are designed for heavy-duty, non-corrosive environments. Applications include processing plants, cold storage, foundries, factories, loading docks and retail applications. U.L and cUL listed for non-classified wet locations. For use in 40°C ambient environments.



Lumark®

## ordering information

SAMPLE NUMBER: ICVC1G

<b>LAMP TYPE</b> IC=Incandescent	<b>MOUNTING TYPE</b> VC=Ceiling Mount VW=Wall Mount VP=Pendant Mount	<b>LAMP WATTAGE</b> 1=200W <sup>1,3</sup> 2=300W <sup>2,3</sup>	<b>GUARD</b> G=Guard	<b>ACCESSORIES</b> (See Below)
-------------------------------------	---	---	-------------------------	-----------------------------------

**HOUSING**

Housings and threaded guard are die-cast aluminum. Small housing utilizes 1/2" NPS entry while large housing use 3/4" NPS entry. Standard construction includes thru-way wiring for ceiling and wall mount units. Guard is one piece and features stainless steel locking screw for vandal resistance.

**MOUNTING**

Optional pendant mount, wall or ceiling mounting. Wall mount fits 4" round or octagonal J-Box. Pendant mount utilizes 1/2" NPS for small and 3/4" NPS for large.

**SOCKET**

Sockets are medium-base, porcelain exterior with 150°C wire.

**GLOBE**

Globe is heat- and impact-resistant glass and accepts up to 200W incandescent in small housing and 300W incandescent in the large housing.

**GASKET**

Silicone gasket provides long-life vapor seal.

**FINISH**

Standard finish is polyester powder coat grey.

**RATING**

IP65 Rating

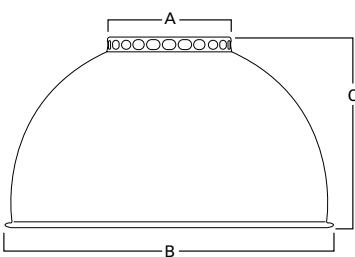
**SHIPPING DATA**

Approximate net weight:  
5 lbs. (2 kgs.)

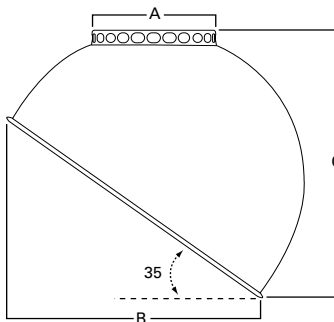
**ACCESSORIES**<sup>4, 5</sup>

- DC1=Concentric Dome 200
- DC2=Concentric Dome 300
- DA1=Angle Dome 200
- DA2=Angle Dome 200

Concentric Dome (DC1, DC2)



Angle Dome (DA1, DA2)



Concentric Dome	A	B	C
DC1	4 3/8" [111mm]	11 3/4" [298mm]	6 7/8" [175mm]
DC2	4 3/8" [111mm]	14 11/16" [373mm]	8 11/16" [221mm]

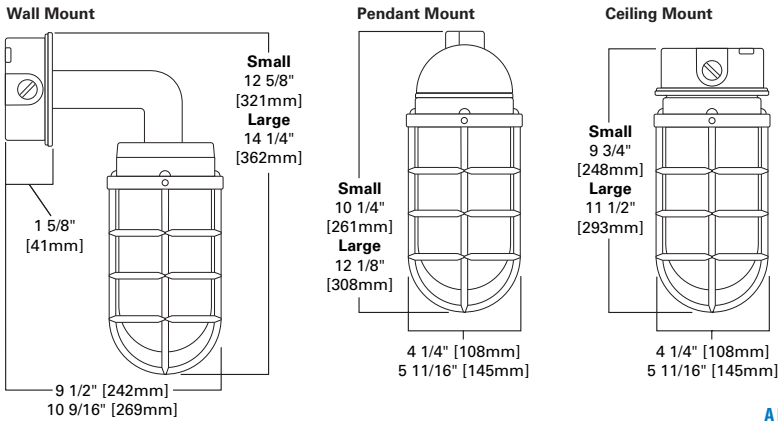
Angle Dome	A	B	C
DA1	5 13/16" [148mm]	11 3/16" [285mm]	12 3/4" [324mm]
DA2	5 13/16" [148mm]	13 3/4" [349mm]	10" [254mm]

NOTES: 1 A21 lamp maximum. Lamp not included. 2 PS30 lamp maximum. Lamp not included. 3 Care must be taken in selecting lamps due to size variations by manufacturers. 4 Standard finish is polyester powder coat grey with inside painted white. 5 Guard required to install. 6 Specifications and dimensions subject to change without notice.

200-300W INCANDESCENT

# IC Vaportight

INDUSTRIAL SAFETY AND SECURITY LUMINAIRE



**APPLICATION**

Lumark's Vaportight fixtures are designed for heavy-duty, non-corrosive environments. Applications include processing plants, cold storage, foundries, factories, loading docks and retail applications. U.L and cUL listed for non-classified wet locations. For use in 40°C ambient environments.



Lumark®

## ordering information

SAMPLE NUMBER: ICVC1G

<b>LAMP TYPE</b> IC=Incandescent	<b>MOUNTING TYPE</b> VC=Ceiling Mount VW=Wall Mount VP=Pendant Mount	<b>LAMP WATTAGE</b> 1=200W <sup>1,3</sup> 2=300W <sup>2,3</sup>	<b>GUARD</b> G=Guard	<b>ACCESSORIES</b> (See Below)
-------------------------------------	---	---	-------------------------	-----------------------------------

**HOUSING**

Housings and threaded guard are die-cast aluminum. Small housing utilizes 1/2" NPS entry while large housing use 3/4" NPS entry. Standard construction includes thru-way wiring for ceiling and wall mount units. Guard is one piece and features stainless steel locking screw for vandal resistance.

**MOUNTING**

Optional pendant mount, wall or ceiling mounting. Wall mount fits 4" round or octagonal J-Box. Pendant mount utilizes 1/2" NPS for small and 3/4" NPS for large.

**SOCKET**

Sockets are medium-base, porcelain exterior with 150°C wire.

**GLOBE**

Globe is heat- and impact-resistant glass and accepts up to 200W incandescent in small housing and 300W incandescent in the large housing.

**GASKET**

Silicone gasket provides long-life vapor seal.

**FINISH**

Standard finish is polyester powder coat grey.

**RATING**

IP65 Rating

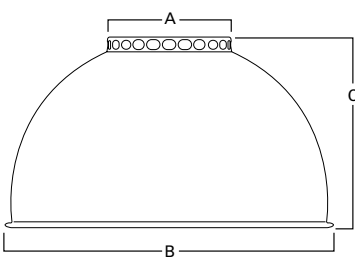
**SHIPPING DATA**

Approximate net weight:  
5 lbs. (2 kgs.)

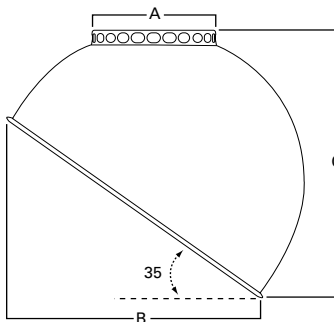
**ACCESSORIES**<sup>4, 5</sup>

- DC1=Concentric Dome 200
- DC2=Concentric Dome 300
- DA1=Angle Dome 200
- DA2=Angle Dome 200

Concentric Dome (DC1, DC2)



Angle Dome (DA1, DA2)



Concentric Dome	A	B	C
DC1	4 3/8" [111mm]	11 3/4" [298mm]	6 7/8" [175mm]
DC2	4 3/8" [111mm]	14 11/16" [373mm]	8 11/16" [221mm]

Angle Dome	A	B	C
DA1	5 13/16" [148mm]	11 3/16" [285mm]	12 3/4" [324mm]
DA2	5 13/16" [148mm]	13 3/4" [349mm]	10" [254mm]

NOTES: 1 A21 lamp maximum. Lamp not included. 2 PS30 lamp maximum. Lamp not included. 3 Care must be taken in selecting lamps due to size variations by manufacturers. 4 Standard finish is polyester powder coat grey with inside painted white. 5 Guard required to install. 6 Specifications and dimensions subject to change without notice.