



# Centium T12 Slimline

## CENTIUM ICN2P60N35I

Reliable and energy-efficient, Philips Advance's line of Centium high frequency electronic ballasts for 8' T12 Slimline fluorescent lamps are a great replacement option when compared to magnetic ballasts. Lightweight with the same mounting configurations makes this an quick and easy retrofit solution.

### Product data

General Information	
Lamp Type	F96T12
Number of Lamps	1/2 piece/unit
Ballast Type	Electronic Fluorescent
Base Model	ICN2P60N
Suitable For Outdoor Use	Yes
Automatic Restart	Yes
Operating and Electrical	
Input Voltage	120 to 277 V
Input Frequency	50 to 60 Hz
Total Harmonic Distortion USA	10 %
Ignition Method	Instant Start
Crestfactor (Nom)	1.6
Ignition Time (Nom)	0.1 s
Ballast Factor (Nom)	0.88
Power Factor (Nom)	0.99
Input Current (Max)	1.13 A
Input Current (Min)	0.48 A
Input Power (Nom)	135-132 W
Rated Lamp Power	75 W

Wiring	
Color Input Terminals	No terminals
Color Output Terminals	No terminals
Wire Striplength	0.50/0.375 mm
Lamp Connection	Parallel
Wire Length by Color	See data sheet
Wire Gauge (Nom)	18AWG mm
Wire Type	Solid
Remote Wiring Configuration Allowed	Yes
Tandem Wiring Configuration Allowed	Yes
Through Wiring Configuration Allowed	Yes
Max Ballast-Lamp Distance Remote Wiring	20'
Max Ballast-Lamp Distance Tandem Wiring	Any = 20'
Max Ballast-Lamp Distance Through Wiring	Any = 20'
Connector Type	No connector
Temperature	
T-Case Maximum (Nom)	70 °C
Mechanical and Housing	
Housing Material	Metal
Housing	N

## Centium T12 Slimline

Housing Dimensions	9.5" x 1.3" x 1.0"
<b>Approval and Application</b>	
EMC Immunity Standard	FCC Non-Consumer
Approval Marks	CSA certificate UL certificate CEC Listing Circle E logo CSA E RoHS Compliant
Hum And Noise Level	A
UL Recognized	No
<b>Product Data</b>	
Order product name	CENTIUM ICN2P60N35I

EAN/UPC - Product	781087135556
Order code	913701261901
Numerator - Quantity Per Pack	1
Numerator - Packs per outer box	10
Material Nr. (12NC)	913701261901
Net Weight (Piece)	350.000 g

### Dimensional drawing



ELE BALLAST (2) F96T12 120-277V

Product	A1	A2	B1	C1
CENTIUM ICN2P60N35I	9.5 in	8.9 in	1.3 in	1.0 in





# Centium T12 Slimline

## CENTIUM ICN2P60N35I

Reliable and energy-efficient, Philips Advance's line of Centium high frequency electronic ballasts for 8' T12 Slimline fluorescent lamps are a great replacement option when compared to magnetic ballasts. Lightweight with the same mounting configurations makes this an quick and easy retrofit solution.

### Product data

General Information	
Lamp Type	F96T12
Number of Lamps	1/2 piece/unit
Ballast Type	Electronic Fluorescent
Base Model	ICN2P60N
Suitable For Outdoor Use	Yes
Automatic Restart	Yes
Operating and Electrical	
Input Voltage	120 to 277 V
Input Frequency	50 to 60 Hz
Total Harmonic Distortion USA	10 %
Ignition Method	Instant Start
Crestfactor (Nom)	1.6
Ignition Time (Nom)	0.1 s
Ballast Factor (Nom)	0.88
Power Factor (Nom)	0.99
Input Current (Max)	1.13 A
Input Current (Min)	0.48 A
Input Power (Nom)	135-132 W
Rated Lamp Power	75 W

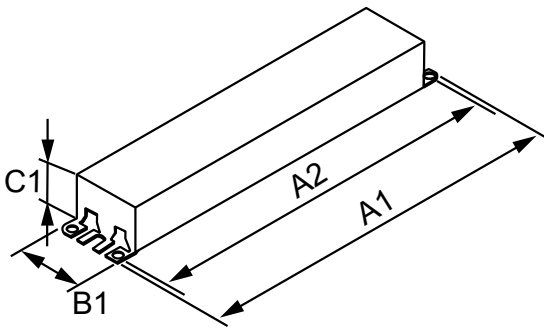
Wiring	
Color Input Terminals	No terminals
Color Output Terminals	No terminals
Wire Striplength	0.50/0.375 mm
Lamp Connection	Parallel
Wire Length by Color	See data sheet
Wire Gauge (Nom)	18AWG mm
Wire Type	Solid
Remote Wiring Configuration Allowed	Yes
Tandem Wiring Configuration Allowed	Yes
Through Wiring Configuration Allowed	Yes
Max Ballast-Lamp Distance Remote Wiring	20'
Max Ballast-Lamp Distance Tandem Wiring	Any = 20'
Max Ballast-Lamp Distance Through Wiring	Any = 20'
Connector Type	No connector
Temperature	
T-Case Maximum (Nom)	70 °C
Mechanical and Housing	
Housing Material	Metal
Housing	N

## Centium T12 Slimline

Housing Dimensions	9.5" x 1.3" x 1.0"
<b>Approval and Application</b>	
EMC Immunity Standard	FCC Non-Consumer
Approval Marks	CSA certificate UL certificate CEC Listing Circle E logo CSA E RoHS Compliant
Hum And Noise Level	A
UL Recognized	No
<b>Product Data</b>	
Order product name	CENTIUM ICN2P60N35I

EAN/UPC - Product	781087135556
Order code	913701261901
Numerator - Quantity Per Pack	1
Numerator - Packs per outer box	10
Material Nr. (12NC)	913701261901
Net Weight (Piece)	350.000 g

### Dimensional drawing



Product	A1	A2	B1	C1
CENTIUM ICN2P60N35I	9.5 in	8.9 in	1.3 in	1.0 in

ELE BALLAST (2) F96T12 120-277V

