

Project		Catalog #		Type	
Prepared by		Notes		Date	



# HALO

## HLA4 4" Recessed Canless LED Downlights

The HLA Super Adjustable Canless LED Gimbal simplifies installation by mounting directly to drywall or suspended ceilings without the need for a recessed housing or additional junction box, saving time and money. The revolutionary Flip-N-Klip Locking Springs prevent painful spring snap making installation faster, easier, and safer. The HLA Series features 5 field-selectable color temperature options, and the gimbal tilts up to 90° for ultimate aiming and control. Designed to match the look and dimensions of our best-selling HLB Series, HLAs are perfect for accent lighting and task lighting applications.

**Typical Applications** Residential

### Interactive Menu

- Order Information page 2
- Product Specifications page 2
- Energy Data page 3
- Photometric Data page 3
- Product Warranty

### Top Product Features

- Round 4" Super Adjustable Canless LED Gimbal
- Flip-N-Klip Locking Springs prevent painful spring snap
- **Lens & Trim:** Slim metal trim with smooth diffuse lens
- **5-Color Field-SeleCCTable:** 5-color Field-SeleCCTable (27/30/35/40/5000K); 90+ CRI
- **Brightness (@3000K):** 660 lumens
- **Dimming:** Dims to 5% (phase cut LE/TE); 120V input
- Smooth Decorative Overlays in 2 finishes (sold separately)
- AIR-TITE, wet location-listed, and ENERGY STAR®
- **Life:** 50,000 hrs of maintenance-free operation in damp or wet locations
- 5-year warranty

### Product Certification

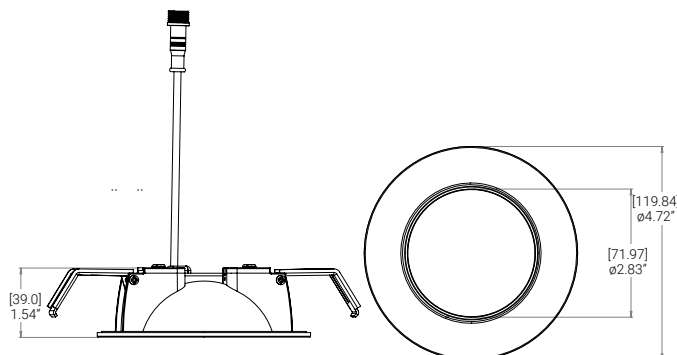


Refer to ENERGY STAR® Certified Products List.  
Can be used to comply with California Title 24 High Efficacy requirements.  
Certified to California Appliance Efficiency Database under JA8.

### Product Features



### Dimensional and Mounting Details



## Order Information

Catalog Number	Module	Lumens (@3000K)	CRI/CCT	Driver	Finish	Packaging
HLA406FSS	4-inch Super Adjustable Canless LED Gimbal	660 lumens	90+ CRI, field selectable CCT: 2700K, 3000K, 3500K, 4000K, 5000K	120V 60Hz, LE & TE phase cut 100–5% dimming	Matte White	Plastic-free & Fully Recyclable

## Optional Accessories - Decorative Smooth Splay Overlays (Order separately)

Add a touch of style and personality to spaces with HALO Decorative Overlays by matching existing hardware or painted finishes

Catalog Number	Description	Finish
HLA4SDOMW	4-inch Square Overlay (Converts round fixture to square)	Paintable Matte White



HLA4SDOMW  
Paintable Matte White

## Optional Accessories - Extension Cable | SeleCCTable Driver/ JBox (Order separately)

Use HALO Canless Extension Cables in applications where junction boxes need to be installed further away from the fixture – either for convenience or to save on line-voltage wire. (Co-locating junction boxes makes adjustments and maintenance fast and easy.

Catalog Number	Description
HLB06FSEC	6-ft. extension cable
HLB12FSEC	12-ft. extension cable
HLB20FSEC	20-ft. extension cable

## Accessories – New Construction Mounting Frames/Plates (Order separately)

Ensure the proper placement and alignment of canless LED downlights in new construction applications. Mounting frames feature adjustable hanger bars, Got Nail™ captive pre-installed nails, and integrated thumb screws for holding canless junction boxes in place to meet code requirements during rough-in wiring.

Catalog Number	Description
MF4RC	4" Round Mounting Frame with 1/2" Drywall Collar
HL4RSMF	4" Round/Square Mounting Frame
SP346RS	3"/4"/6" Round/Square Smash Plate

## Specification Features

## Selectable System

- Use the 5-position color selector switch to choose between: 2700K, 3000K, 3500K, 4000K, and 5000K
- Factory default color temperature (CCT) is set to bright white (3000K)

## Module – Trim

- Module construction includes LED array, heat sink, reflector, lens, baffle and trim ring
- Regressed baffle
- Heat sink designed to conduct heat away from the LED array, keeping the junction temperatures below specified maximums, even when installed in insulated ceiling environments
- Adjustable gimbal tilts up to 90° and rotates up to 360°

## LED Array

- Mid power LED array provides a uniform source with high efficiency and no pixilation
- 90 CRI minimum, R9 greater than 50
- Color accuracy at 4 SDCM in between endpoints, provide excellent color quality and uniformity

## Optical Assembly

- Regressed lens
- Impact-resistant polycarbonate
- Convex form and lamp-like appearance

## Remote Driver / Junction Box

- Pre-galvanized steel driver/junction box with captive hinged cover
- Listed for six #12 AWG 90° C splice conductors: two in, two out plus two grounds
- Two 1/2" conduit pry-outs
- Two Slide-N-Side™ non-metallic (NM) wire traps allows wiring outside the box
- Accepts NM cable types: 14-2, 14-3, 12-2, 12-3 (U.S.) and 14-2, 14-3, 12-2 (Canadian)

- Three 4-port push wire nuts with clear caps for quick and reliable mains voltage connections
- Integral mounting holes facilitate direct mounting to building structure or mounting frame
- 6-, 12-, and 20-ft extension cables available for centralized junction box installation

## Driver

- Integral 120V 60 Hz constant current driver provides noise free operation
- Dimmable: Continuous, flicker-free phase cut (leading-edge/trailing-edge - LE/TE) dimming from 100% to 5% output with compatible dimmers
- See this fixture's Dimming Guide for compatible dimmers
- Tip: For optimal dimming performance, consider dimmers with low-end trim adjustment; note that some dimmers require a neutral wire in the box
- Plenum rated inline electrical barrel connector provides low voltage connection to fixture fitting (CMP/FT6 rated)

## Gasket

- Closed cell gaskets achieve restrictive airflow requirements without additional caulking

## Retention &amp; Installation

- No additional housing or junction box required (not for installation in recessed cans)
- The included fixture (light engine) and remote driver / junction box may be used in direct contact with insulation
- Can be installed in 1/2" to 1-1/4" thick ceilings
- Cutout utilizes standard round hole saw sizes; cutout template provided
- Heat treated springs hold fixture fitting securely in the ceiling eliminating light leak
- Installer must cut hole and install fixture into aperture with the clips compressed
- When released, the spring clips will rest on the

back side of the ceiling material holding the fixture in place

- Can be removed from below the ceiling for service or replacement
- For new construction applications, use HALO Canless Mounting Frames or Smash Plates prior to drywall installation

## Optional Mounting Frame

- Pre-galvanized steel mounting frame locates fixture fittings during electrical rough-in and provides cutout guidance for drywall contractor
- Provides attachment of remote driver/junction box

## Compliance

- UL Certified US and Canada Type IC suitable for direct contact with air permeable insulation
- Wet location listed. Not recommended for use in direct contact with spray foam insulation, reference NEMA LSD57-2013
- Airtight certified per ASTM-E283
- EMI/RFI emissions per FCC 47CFR Part 15 consumer limits
- Contains no mercury or lead and RoHS compliant
- Photometric testing in accordance with IES LM-79-08
- Lumen maintenance projections in accordance with IES LM-80-08 and TM-21-11
- Can be used for State of California Title 24 high efficacy luminaire compliance. Complies with Title 24 JA8-2022-E.
- Can be used International Energy Conservation Code (IECC) high efficiency luminaire compliance.
- ENERGY STAR® listed, reference database for current listings

## Warranty

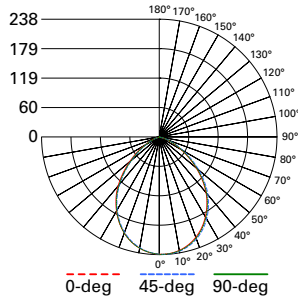
- Five year limited warranty, consult website for details. [www.cooperlighting.com/warranty](http://www.cooperlighting.com/warranty)

## Energy Data

### HLA4 - 660 Lumens (@3000K)

Lumens (nominal)	600
Input Voltage	120 Vac
Input current	61.18 mA
Input Power	7.02 W
Efficiency	91.7 LM/W
Inrush(A)	1.984A
THD	14.8%
PF	0.972
T Ambient	-30 - +40°C
Sound Rating	Class A

## Photometric Data



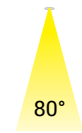
### HLA406FS5 -3000K

Spacing Criteria (0/90/45):  
1.24 / 1.24 / 1.36  
Beam Angle: 110.2°  
Field Angle: 160.4°  
Lumens: 660  
Input Watts: 7.2W  
Efficacy: 91.7 LPW  
UGR: 26.5  
Test Report: P1175580

Zonal Lumen	Lumens	% Lumens
0-30	183.3	27.8
0-40	298.9	45.3
0-60	525.1	79.6
0-90	659.6	99.9
90-180	0	0.0
0-180	660	100.0

TM-30-15	Rf = 93
	Rg = 101
CRI/CIE	Ra = 97
	R9 = 81.9

CCT - Range of 2700K- 5000K



### LT4 5CCT

CCT	Watts	lumens	LPW	CRI
2700K	6.9	640	92.8	93
3000K	7.2	660	91.7	93
3500K	7.3	700	95.9	93
4000K	7.2	710	98.6	93
5000K	7	680	97.1	93

### HLA406FS5 -3000K

PRODUCT SPECIFICATIONS	
Lumens	660
Watts	7.2
Lumens Per Watt (Efficacy)	91.7
Color Accuracy (CRI)	93
Light Color (CCT)	3000K
Correlated Color Temperature (CCT) (default)	
soft white ————— daylight	
Selectable Colors	

Project		Catalog #		Type	
Prepared by		Notes		Date	



# HALO

## HLA4 4" Recessed Canless LED Downlights

The HLA Super Adjustable Canless LED Gimbal simplifies installation by mounting directly to drywall or suspended ceilings without the need for a recessed housing or additional junction box, saving time and money. The revolutionary Flip-N-Klip Locking Springs prevent painful spring snap making installation faster, easier, and safer. The HLA Series features 5 field-selectable color temperature options, and the gimbal tilts up to 90° for ultimate aiming and control. Designed to match the look and dimensions of our best-selling HLB Series, HLAs are perfect for accent lighting and task lighting applications.

**Typical Applications** Residential

### Interactive Menu

- Order Information page 2
- Product Specifications page 2
- Energy Data page 3
- Photometric Data page 3
- Product Warranty

### Top Product Features

- Round 4" Super Adjustable Canless LED Gimbal
- Flip-N-Klip Locking Springs prevent painful spring snap
- **Lens & Trim:** Slim metal trim with smooth diffuse lens
- **5-Color Field-SeleCCTable:** 5-color Field-SeleCCTable (27/30/35/40/5000K); 90+ CRI
- **Brightness (@3000K):** 660 lumens
- **Dimming:** Dims to 5% (phase cut LE/TE); 120V input
- Smooth Decorative Overlays in 2 finishes (sold separately)
- AIR-TITE, wet location-listed, and ENERGY STAR®
- **Life:** 50,000 hrs of maintenance-free operation in damp or wet locations
- 5-year warranty

### Product Certification

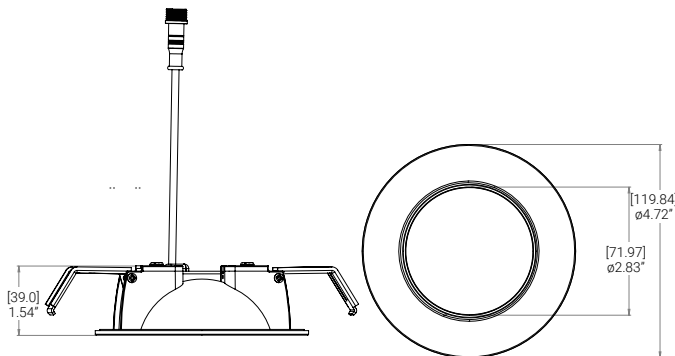


Refer to ENERGY STAR® Certified Products List.  
Can be used to comply with California Title 24 High Efficacy requirements.  
Certified to California Appliance Efficiency Database under JA8.

### Product Features



### Dimensional and Mounting Details



## Order Information

Catalog Number	Module	Lumens (@3000K)	CRI/CCT	Driver	Finish	Packaging
HLA406FSS	4-inch Super Adjustable Canless LED Gimbal	660 lumens	90+ CRI, field selectable CCT: 2700K, 3000K, 3500K, 4000K, 5000K	120V 60Hz, LE & TE phase cut 100–5% dimming	Matte White	Plastic-free & Fully Recyclable

## Optional Accessories - Decorative Smooth Splay Overlays (Order separately)

Add a touch of style and personality to spaces with HALO Decorative Overlays by matching existing hardware or painted finishes

Catalog Number	Description	Finish
HLA4SDOMW	4-inch Square Overlay (Converts round fixture to square)	Paintable Matte White



HLA4SDOMW  
Paintable Matte White

## Optional Accessories - Extension Cable | SeleCCTable Driver/ JBox (Order separately)

Use HALO Canless Extension Cables in applications where junction boxes need to be installed further away from the fixture – either for convenience or to save on line-voltage wire. (Co-locating junction boxes makes adjustments and maintenance fast and easy.

Catalog Number	Description
HLB06FSEC	6-ft. extension cable
HLB12FSEC	12-ft. extension cable
HLB20FSEC	20-ft. extension cable

## Accessories – New Construction Mounting Frames/Plates (Order separately)

Ensure the proper placement and alignment of canless LED downlights in new construction applications. Mounting frames feature adjustable hanger bars, Got Nail™ captive pre-installed nails, and integrated thumb screws for holding canless junction boxes in place to meet code requirements during rough-in wiring.

Catalog Number	Description
MF4RC	4" Round Mounting Frame with 1/2" Drywall Collar
HL4RSMF	4" Round/Square Mounting Frame
SP346RS	3"/4"/6" Round/Square Smash Plate

## Specification Features

## Selectable System

- Use the 5-position color selector switch to choose between: 2700K, 3000K, 3500K, 4000K, and 5000K
- Factory default color temperature (CCT) is set to bright white (3000K)

## Module – Trim

- Module construction includes LED array, heat sink, reflector, lens, baffle and trim ring
- Regressed baffle
- Heat sink designed to conduct heat away from the LED array, keeping the junction temperatures below specified maximums, even when installed in insulated ceiling environments
- Adjustable gimbal tilts up to 90° and rotates up to 360°

## LED Array

- Mid power LED array provides a uniform source with high efficiency and no pixilation
- 90 CRI minimum, R9 greater than 50
- Color accuracy at 4 SDCM in between endpoints, provide excellent color quality and uniformity

## Optical Assembly

- Regressed lens
- Impact-resistant polycarbonate
- Convex form and lamp-like appearance

## Remote Driver / Junction Box

- Pre-galvanized steel driver/junction box with captive hinged cover
- Listed for six #12 AWG 90° C splice conductors: two in, two out plus two grounds
- Two 1/2" conduit pry-outs
- Two Slide-N-Side™ non-metallic (NM) wire traps allows wiring outside the box
- Accepts NM cable types: 14-2, 14-3, 12-2, 12-3 (U.S.) and 14-2, 14-3, 12-2 (Canadian)

- Three 4-port push wire nuts with clear caps for quick and reliable mains voltage connections
- Integral mounting holes facilitate direct mounting to building structure or mounting frame
- 6-, 12-, and 20-ft extension cables available for centralized junction box installation

## Driver

- Integral 120V 60 Hz constant current driver provides noise free operation
- Dimmable: Continuous, flicker-free phase cut (leading-edge/trailing-edge - LE/TE) dimming from 100% to 5% output with compatible dimmers
- See this fixture's Dimming Guide for compatible dimmers
- Tip: For optimal dimming performance, consider dimmers with low-end trim adjustment; note that some dimmers require a neutral wire in the box
- Plenum rated inline electrical barrel connector provides low voltage connection to fixture fitting (CMP/FT6 rated)

## Gasket

- Closed cell gaskets achieve restrictive airflow requirements without additional caulking

## Retention &amp; Installation

- No additional housing or junction box required (not for installation in recessed cans)
- The included fixture (light engine) and remote driver / junction box may be used in direct contact with insulation
- Can be installed in 1/2" to 1-1/4" thick ceilings
- Cutout utilizes standard round hole saw sizes; cutout template provided
- Heat treated springs hold fixture fitting securely in the ceiling eliminating light leak
- Installer must cut hole and install fixture into aperture with the clips compressed
- When released, the spring clips will rest on the

back side of the ceiling material holding the fixture in place

- Can be removed from below the ceiling for service or replacement
- For new construction applications, use HALO Canless Mounting Frames or Smash Plates prior to drywall installation

## Optional Mounting Frame

- Pre-galvanized steel mounting frame locates fixture fittings during electrical rough-in and provides cutout guidance for drywall contractor
- Provides attachment of remote driver/junction box

## Compliance

- UL Certified US and Canada Type IC suitable for direct contact with air permeable insulation
- Wet location listed. Not recommended for use in direct contact with spray foam insulation, reference NEMA LSD57-2013
- Airtight certified per ASTM-E283
- EMI/RFI emissions per FCC 47CFR Part 15 consumer limits
- Contains no mercury or lead and RoHS compliant
- Photometric testing in accordance with IES LM-79-08
- Lumen maintenance projections in accordance with IES LM-80-08 and TM-21-11
- Can be used for State of California Title 24 high efficacy luminaire compliance. Complies with Title 24 JA8-2022-E.
- Can be used International Energy Conservation Code (IECC) high efficiency luminaire compliance.
- ENERGY STAR® listed, reference database for current listings

## Warranty

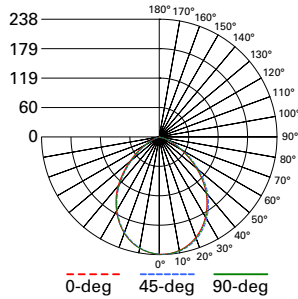
- Five year limited warranty, consult website for details. [www.cooperlighting.com/warranty](http://www.cooperlighting.com/warranty)

## Energy Data

### HLA4 - 660 Lumens (@3000K)

Lumens (nominal)	600
Input Voltage	120 Vac
Input current	61.18 mA
Input Power	7.02 W
Efficiency	91.7 LM/W
Inrush(A)	1.984A
THD	14.8%
PF	0.972
T Ambient	-30 - +40°C
Sound Rating	Class A

## Photometric Data



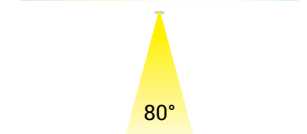
### HLA406FS5 -3000K

Spacing Criteria (0/90/45):  
1.24 / 1.24 / 1.36  
Beam Angle: 110.2°  
Field Angle: 160.4°  
Lumens: 660  
Input Watts: 7.2W  
Efficacy: 91.7 LPW  
UGR: 26.5  
Test Report: P1175580

Zonal Lumen	Lumens	% Lumens
0-30	183.3	27.8
0-40	298.9	45.3
0-60	525.1	79.6
0-90	659.6	99.9
90-180	0	0.0
0-180	660	100.0

TM-30-15	Rf = 93
	Rg = 101
CRI/CIE	Ra = 97
	R9 = 81.9

CCT - Range of 2700K- 5000K



### LT4 5CCT

CCT	Watts	lumens	LPW	CRI
2700K	6.9	640	92.8	93
3000K	7.2	660	91.7	93
3500K	7.3	700	95.9	93
4000K	7.2	710	98.6	93
5000K	7	680	97.1	93

### HLA406FS5 -3000K

PRODUCT SPECIFICATIONS	
Lumens	660
Watts	7.2
Lumens Per Watt (Efficacy)	91.7
Color Accuracy (CRI)	93
Light Color (CCT)	3000K
Correlated Color Temperature (CCT) (default)	
soft white ————— daylight	
SelectTable Colors	