

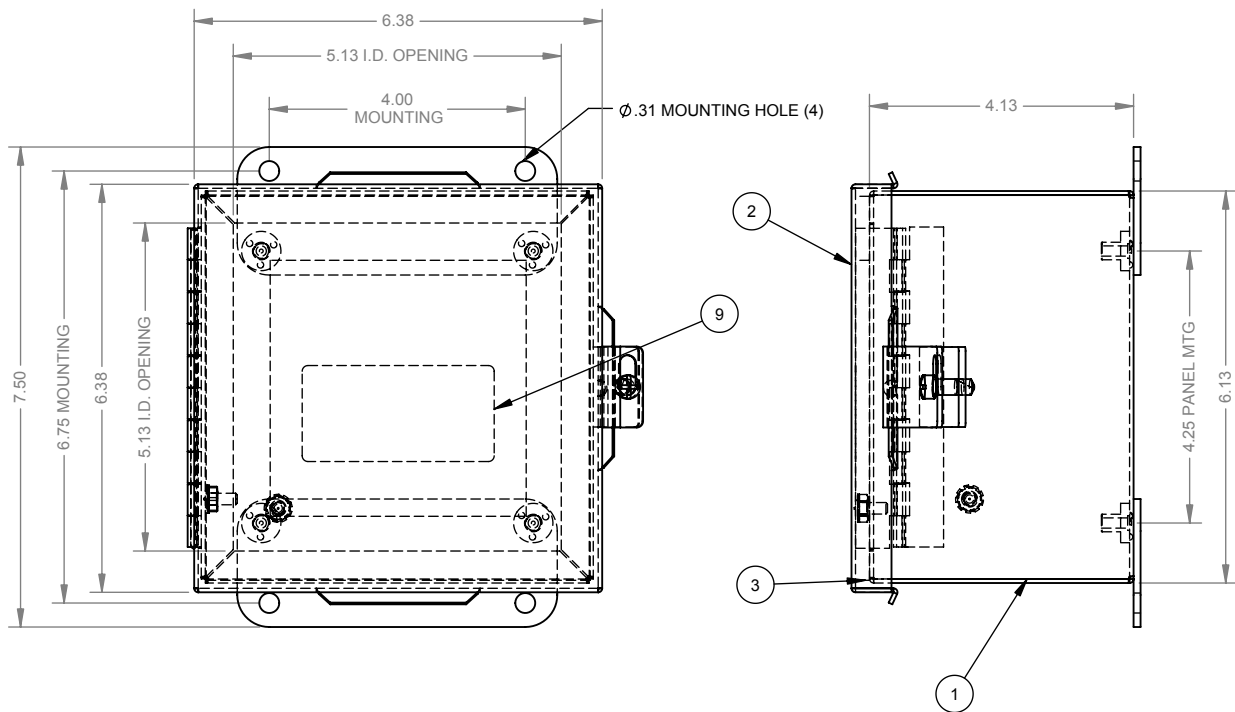


Catalog Number: HC664JIC12
Item Description: N12 JIC HINGE CVR ENCL
UPC Code: 784572112681

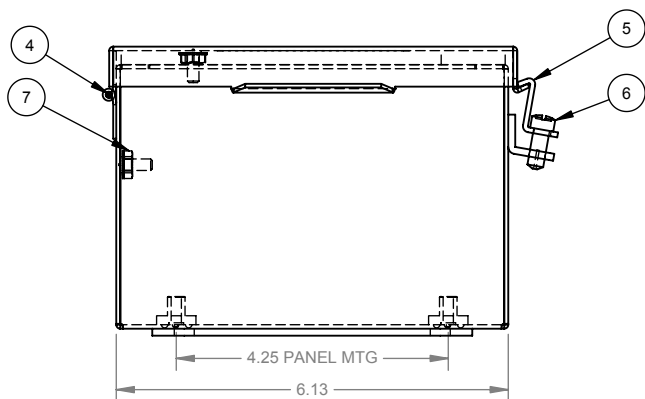
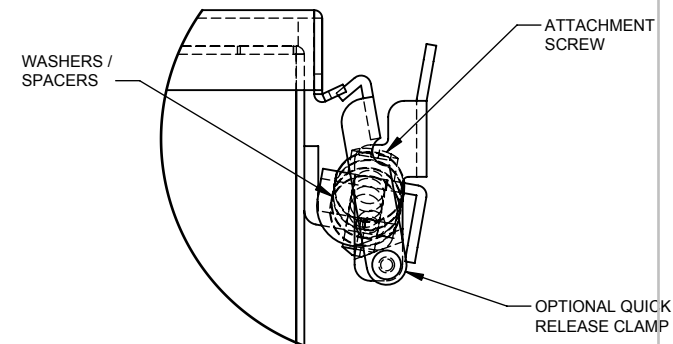
Brand Name: Milbank
Type: Hinge Cover
Special Features: Continuous Hinge with Removable Pin, 1 Door, Clamps and Screws on One Side, Collar Studs for Panels, External Mounting Feet
Application: Enclosure for Mounting Electrical Equipment
Standard: UL Listed
Number Of Outlet: 0
Material: Steel with Powder Coat Finish
Color: ANSI 61 Gray
Mounting: Wall Mount
NEMA Rating: Type 12



Utility requirements may vary. Always consult the serving utility for their requirements prior to ordering or installing this equipment. This product must always be installed by a licensed electrician. Installation of this equipment may require local electrical inspector approval.



| NO. | QTY. | PART NO. | DESCRIPTION |
|-----|------|-------------|---------------------|
| 1 | 1 | (SEE CHART) | BACK WELDMENT |
| 2 | 1 | (SEE CHART) | FRONT WELDMENT |
| 3 | 1 | 1119139 | GASKET |
| 4 | 1 | 1003395 | HINGE PIN |
| 3 | 5 | 1000870 | COVER CLAMP |
| 6 | 1 | 1003387 | SCREW, 1/4-28 |
| 7 | 2 | 1003479 | NUT, 10-32 |
| 1 | 8 | 1002646 | BAG ASSY., (SCREWS) |
| 9 | 1 | 1003115 | LABEL (UL) |
| 10 | 1 | 1002910 | CARTON |



| CATALOG NUMBER | BACK WELD. | FRONT WELD. | MATERIAL | FINISH |
|-----------------|------------|-------------|---------------|--------------|
| HC664JIC12 | #1123154 | #1011282 | CRS | ANSI 61 GRAY |
| HC664JIC4XS | #1123200 | #1000768 | 304 STAINLESS | GRAINED |
| HC664JIC4XZ | #1123201 | #1004502 | 316 STAINLESS | GRAINED |
| 3 HC664JIC12-QR | #1123154 | #1011282 | CRS | ANSI 61 GRAY |

NOTES:

1 PACK INSIDE ENCLOSURE (NOT SHOWN).

2. USE CARTON 704974 (6 PER) FOR SHIPPING.

3 FOR CATALOG SUFFIX "-QR" INSTALL QUICK RELEASE CLAMP ASSEMBLY INSTEAD OF STANDARD CLAMP (SEE BOM FOR PART NUMBER).

4. WHEN SOLD AS (RC)- PREFIX USE LABEL #1125021 INSTEAD OF #1003115

| | | | | |
|--|-----------|--------------|-------------------------------------|--|
| Material: | SEE CHART | | General Offices: Kansas City, MO | |
| Finish: | SEE CHART | | Title: | HINGE COVER JIC 6 x 6 x 4, TYPE 4, 12 NEMA ENCLOSURE |
| Tolerances: Unless Specified Otherwise X.X ±.1 X.XX ±.03 X.XXX ±.015 X" ±2" | | Third Angle | Catalog No.: | SEE CHART |
| | | Projection | Customer: | |
| Scale: | NTS | Checked By: | Drawing No.: | 581-11 |
| Drawn By: | DR | Approved By: | Date: | 5-17-02 Sheet 1 of 1 |

| | | | | | | | | | | | | |
|----|---------|---|----|---------|-----------------------------|-----|-----------|-----|--------------|--|--------------|----------------------|
| G | 5-17-02 | ADDED GND STUD / NUT, CHGD FRONT - PMR 2819 | DR | | ADDED CHART ECO. 14162 | DL | Scale: | NTS | Checked By: | | Drawing No.: | 581-11 |
| G1 | 1-3-06 | UPDATED BOM TO M2K & ADDED IT. 1119139 & | G2 | 8-22-06 | mECO #15092, ADDED NOTE #4. | CMW | Drawn By: | DR | Approved By: | | Date: | 5-17-02 Sheet 1 of 1 |

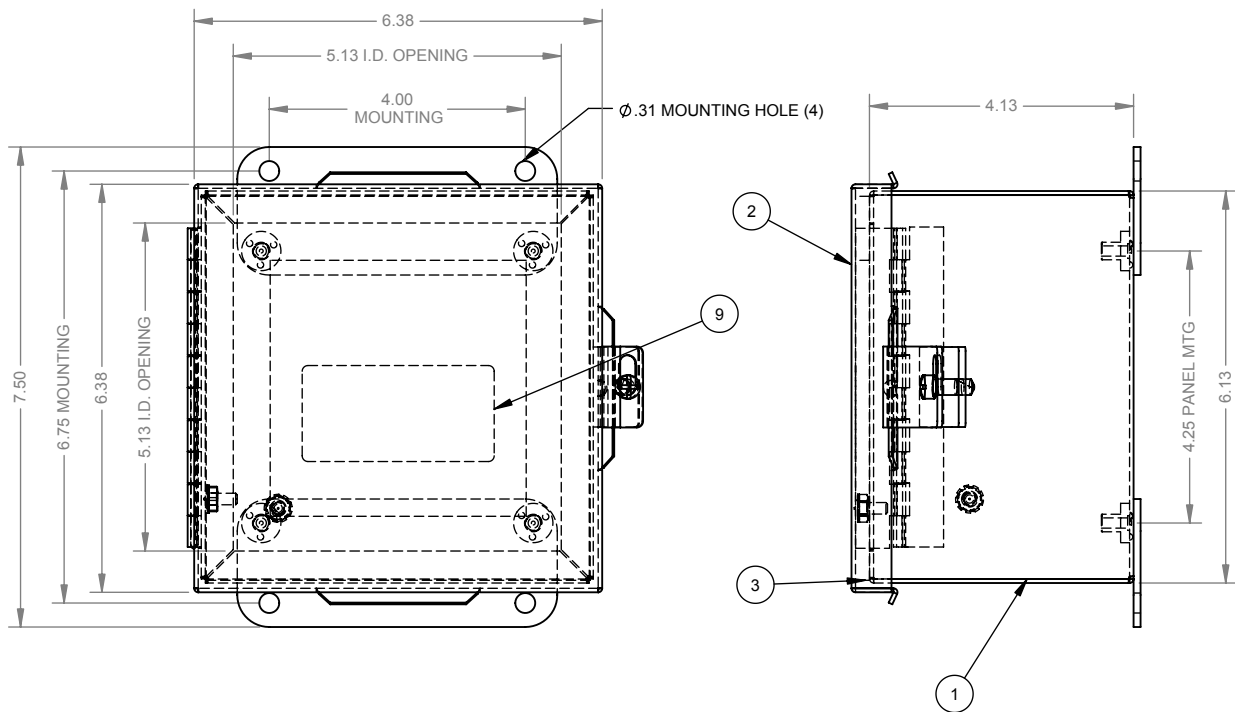


Catalog Number: HC664JIC12
Item Description: N12 JIC HINGE CVR ENCL
UPC Code: 784572112681

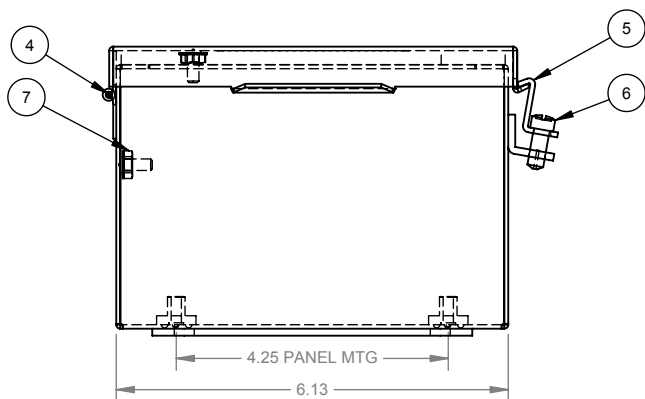
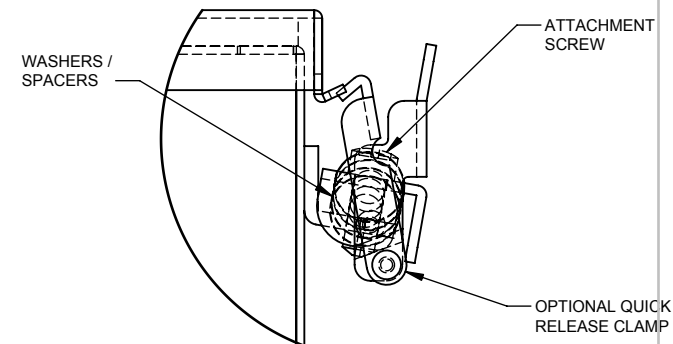
Brand Name: Milbank
Type: Hinge Cover
Special Features: Continuous Hinge with Removable Pin, 1 Door, Clamps and Screws on One Side, Collar Studs for Panels, External Mounting Feet
Application: Enclosure for Mounting Electrical Equipment
Standard: UL Listed
Number Of Outlet: 0
Material: Steel with Powder Coat Finish
Color: ANSI 61 Gray
Mounting: Wall Mount
NEMA Rating: Type 12



Utility requirements may vary. Always consult the serving utility for their requirements prior to ordering or installing this equipment. This product must always be installed by a licensed electrician. Installation of this equipment may require local electrical inspector approval.



| NO. | QTY. | PART NO. | DESCRIPTION |
|-----|------|-------------|---------------------|
| 1 | 1 | (SEE CHART) | BACK WELDMENT |
| 2 | 1 | (SEE CHART) | FRONT WELDMENT |
| 3 | 1 | 1119139 | GASKET |
| 4 | 1 | 1003395 | HINGE PIN |
| 3 | 5 | 1000870 | COVER CLAMP |
| 6 | 1 | 1003387 | SCREW, 1/4-28 |
| 7 | 2 | 1003479 | NUT, 10-32 |
| 1 | 8 | 1002646 | BAG ASSY., (SCREWS) |
| 9 | 1 | 1003115 | LABEL (UL) |
| 10 | 1 | 1002910 | CARTON |



| CATALOG NUMBER | BACK WELD. | FRONT WELD. | MATERIAL | FINISH |
|-----------------|------------|-------------|---------------|--------------|
| HC664JIC12 | #1123154 | #1011282 | CRS | ANSI 61 GRAY |
| HC664JIC4XS | #1123200 | #1000768 | 304 STAINLESS | GRAINED |
| HC664JIC4XZ | #1123201 | #1004502 | 316 STAINLESS | GRAINED |
| 3 HC664JIC12-QR | #1123154 | #1011282 | CRS | ANSI 61 GRAY |

NOTES:

1 PACK INSIDE ENCLOSURE (NOT SHOWN).

2. USE CARTON 704974 (6 PER) FOR SHIPPING.

3 FOR CATALOG SUFFIX "-QR" INSTALL QUICK RELEASE CLAMP ASSEMBLY INSTEAD OF STANDARD CLAMP (SEE BOM FOR PART NUMBER).

4. WHEN SOLD AS (RC)- PREFIX USE LABEL #1125021 INSTEAD OF #1003115

| | | | | |
|--|-----------|--------------|-------------------------------------|--|
| Material: | SEE CHART | | General Offices: Kansas City, MO | |
| Finish: | SEE CHART | | Title: | HINGE COVER JIC 6 x 6 x 4, TYPE 4, 12 NEMA ENCLOSURE |
| Tolerances: Unless Specified Otherwise X.X ±.1 X.XX ±.03 X.XXX ±.015 X" ±2" | | Third Angle | Catalog No.: | SEE CHART |
| | | Projection | Customer: | |
| | | | Drawing No.: | 581-11 |
| Scale: | NTS | Checked By: | Date: | 5-17-02 |
| Drawn By: | DR | Approved By: | Sheet | 1 of 1 |

| | | | | | | | | | | |
|----|---------|---|----|---------|-----------------------------|-----|-----------|-----|--------------|--|
| G | 5-17-02 | ADDED GND STUD / NUT, CHGD FRONT - PMR 2819 | DR | | ADDED CHART ECO. 14162 | DL | Scale: | NTS | Checked By: | |
| G1 | 1-3-06 | UPDATED BOM TO M2K & ADDED IT. 1119139 & | G2 | 8-22-06 | mECO #15092, ADDED NOTE #4. | CMW | Drawn By: | DR | Approved By: | |